

ELECTRON DOT SIGHT INSTRUCTION

Congratulations! You have purchased one of the finest electron dot sights available. The ELECTRON DOT SIGHT has following functions:

- ◆ Tubeless design with 33mm reflex lens aperture provides a much wider field of view, suitable for rapid-firing or shooting of moving targets besides normal shooting.
- ◆ Multi-Reticle (4 patterns) or Variable Dot (4 different sizes).
- ◆ Parallax corrected and unlimited eye-relief.
- ◆ Built-in mount (integrated rail) for standard bases, no need to re-zeroing when remounting the dismounted sight.
- ◆ Very light weight and shockproof.
- ◆ Low power consumption for long battery life.

Special features of this product include: Yes

Automatic brightness adjustment when you select setting "A".

Red and green dot, 5 steps to be regulated respectively.

Special mounting design. Two kinds of dimensions for connecting: 12 and 21mm 11 and 17mm

■ BATTERY:

The Electron dot (E/D) sight is powered by 3V lithium battery (CR2032 or equivalent). If the reticle grows dim or not light, please replace the battery. Unscrew the battery cover and insert a new battery with +side up, and screw the cover.

■ MOUNTING:

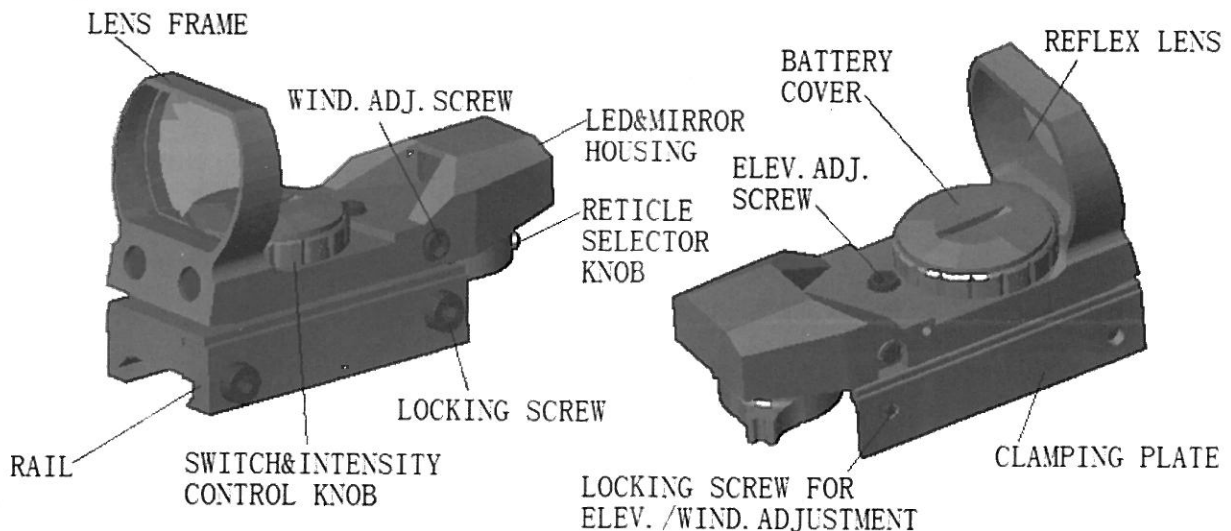
The E/D sight includes an integrated rail that fits standard, dovetailed bases. This is suitable for most applications. Set the rail onto the base so that the rail claw aligns with the crosscut grooves. Work the claw into the base until the cross-bolt seats into the groove. Securely tighten the locking screw with a hex wrench included in the E/D sight package.

■ ZEROING:

Select the reticle you desire by turning the reticle selector knob and set the intensity at the best position for you. With the E/D sight mounted, rest the gun on a solid support and aim at a target 50 to 100 yards (or meter) away. Test shots should be done in the same conditions to achieve maximum accuracy for adjustment, for which the use of firm rest for firing and same type cartridge is recommendable. Each click adjustment moves the point of impact by 1 MOA (approximately 1" at 100 yds, 1/2" at 50 yds).

■ ELEVATION AND WINDAGE ADJUSTMENT:

Loosen the locking screw for elev./wind. adjustment by hex wrench to change the impact-point. After adjustment for elevation achieved, tighten the locking screw and then adjust the windage.



Picture above is reference only