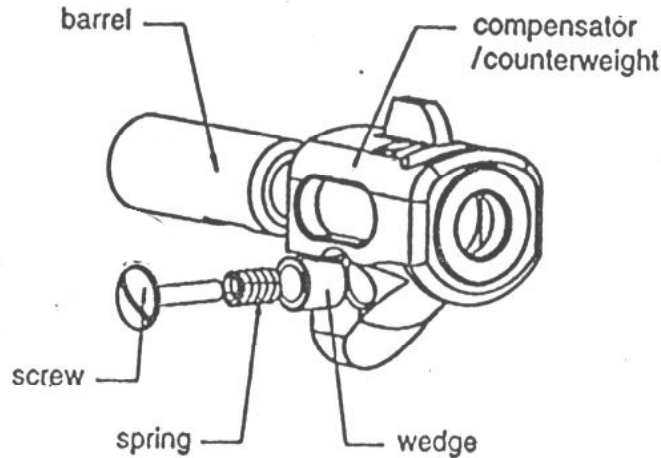


Dismantling of the compensator/counter weight

After removing the slide and dismantling the recoil spring guide, the fixing screw of the compensator has to be unscrewed and taken off together with the spring. Screw the enclosed threaded pin into the wedge and pull it out of the compensator. Should the wedge fit to tightly, screw the threaded pin further in; thereby it will push the wedge out of its seat. Screw the compensator off the barrel and take the barrel out of the slide.



Mounting of the compensator/counterweight

Insert barrel into slide and screw the compensator on the barrel fully home into its end position. Then turn the compensator back until it is flush (in line) with the slide. Insert the slightly lubricated wedge by means of the threaded pin into its seat of the compensator; thereby the slanted area has to face the barrel. Remove the threaded pin and insert the fixing screw together with the spring into the wedge. Tighten the screw reasonably by hand force only.

Lubricant for the guide rails for better action

The pistol in question has only very little clearance between slide and frame. To assure the proper functioning we recommend to lubricate the guide rails of the frame with the enclosed grease Tw.25.

Compensator Assembly

Part Description	Part #
Compensator	34224853
Compensator Wedge	34224419
Compensator Spring	34224421
Compensator Screw	34260874
Front Sight	34224882
Barrel .40 S&W	34224144
Barrel .357 SIG	34224845
Counterweight (137mm Barrel)	34224852
Barrel .357 SIG (137 mm)	34224844

137mm Barrel Works with Barrel Weight Only!
 137mm = approximately 5 1/2 "