

# GRIP-LIGHT Vertical Grip w/ Integrated Tactical Light Operating Instructions

## Features

- Light weight vertical foregrip provides enhanced weapon control.
- Provides secure method for attaching Tactical Light to weapon.
- Accommodates 1" diameter lights.
- Ergonomic grip with integrated storage compartment.
- Trigger activated control of Tactical Light function.
- Positive safety prevents inadvertent light illumination.
- Installs on industry standard Picatinny Rail.
- Quick release Cross Bar facilitates easy removal; use additional Cross Bolt for added security.
- Advanced polymers provide high strength & light weight, impervious to the effects of adverse environmental conditions.



**Left Side View**



**Right Side View**

## Grip-Light Assembly & Operation

Refer to STL-100 Instructions for light features & operation.

1. Insert light, end cap first.
2. Ensure end cap momentary switch lightly contacts trigger arm.
3. Tighten cross bolt screw (right side) to secure light.



To operate the Grip-Light:

### Momentary On (Trigger)

1. Rotate light body  $\frac{1}{2}$  to 1 turn clockwise.
2. Rotate flash head to desired position (LED selection).
3. Depress trigger and hold - light **ON**.
4. Release trigger - light **OFF**.



## Safety Function

SAFETY - PRESS "ON"



SAFETY - PRESS "OFF"

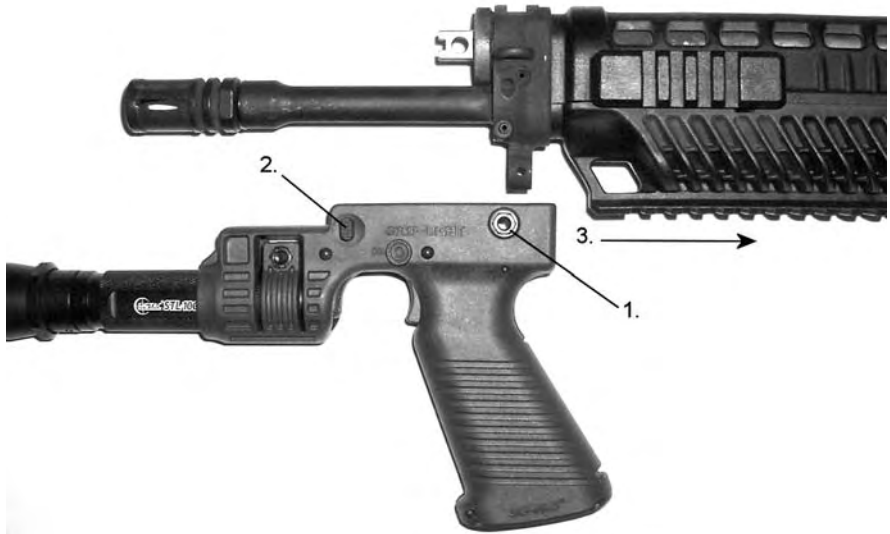


**Safety ON:** Depress safety fully (left side) to engage - trigger blocked.

**Safety OFF:** Depress safety fully (right side) to release - trigger free.

## Grip-Light Rifle Installation

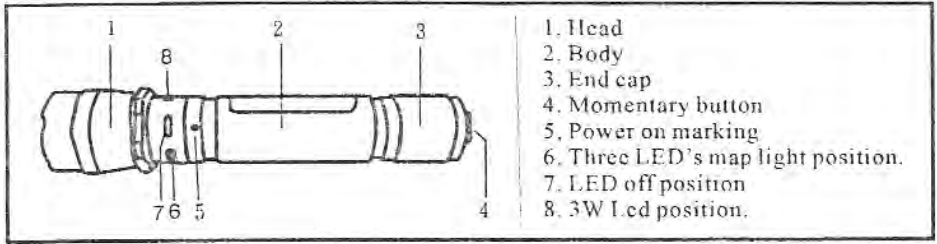
**WARNING - Ensure rifle is unloaded before proceeding!**



1. Remove cross bolt.
2. Depress cross bar.
3. Slide Grip-Light on to Picatinny Rail.



1. Slide Grip-Light to desired position.
2. Release cross bar to secure Grip-Light in place.
3. Install cross bolt if more secure fit is required.



**Features:**

- 3 Watt high intensity LED (center).
- 3 LED map light (outer ring).
- 3 position switch (high intensity, map and " Off ")
- All aluminum machined housing, waterproof
- Includes carry pouch & batteries

Thank you for purchasing Sigarms "SIGTac Tactical Flashlight". Please read the instructions carefully before use.

**Operation:**

The flashlight is operated by two CR123A lithium batteries

1. Installing the batteries: Unscrew the End Cap (3); insert the batteries (+) end towards the Flash Head (1); screw on the End Cap (3) clockwise until snug.
2. By rotating the Flash Head (1) you get three switch positions
  - Center (7) "Off "
  - Right (When the single dot (8) is aligned) "On" high intensity light
  - Left (When the three dots (6) is aligned) "On" map light
3. Momentary mode of operation: unscrew the End Cap (3) counter clockwise 1/2 to 1 full turn. Depress Momentary Button (4) to operate light.

**General:**

1. For continuous smooth operation keep the threads clean and lubricate with silicon lubricant.
2. When returning the flashlight to the carry pouch, make sure the Flash Head (1) is set at "Off" (center position).

**Caution:**

- Avoid pointing the flashlight at eyes.
- Avoid touching the flashlight head when flashlight is on (hot).
- Avoid using new and old batteries together.

Flashlight operation questions? Contact Customer Service at (603) 772-2302.