

## P220 & P226 SPORT PISTOL

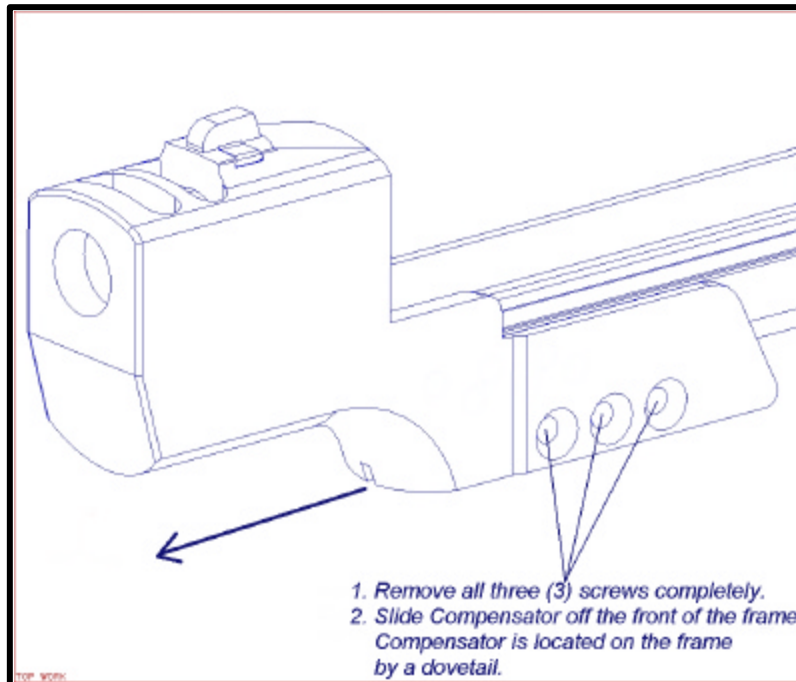
### Supplemental Instructions for Removing the Compensator.



Before attempting to remove the Compensator;

1. **Make sure the pistol is unloaded.**
2. Remove the magazine from the pistol
3. Make sure that the chamber of the barrel is empty.
4. Lock the slide to the rear by pulling back on the slide as far as it will go and hold it in the open position by pushing up the slide catch lever with your thumb. Check carefully to ensure that the chamber is empty and the magazine well is clear.

The compensator is attached to the frame by a set of rails and three (3) retaining screws. To accomplish Field Stripping and Cleaning of the Pistol, the compensator must be removed.



1. Remove the three (3) screws completely from the compensator housing.
2. Slide the compensator off the frame, by grasping the compensator with your left hand, hold the pistol with your right hand, **MAKE SURE YOUR FINGER IS NOT ON THE TRIGGER**. Slide the compensator off the front of the frame.
3. Note: The compensator may be tight on the frame, try to slide it in a smooth motion, **DO NOT USE A HAMMER** to force the compensator off the frame.
4. When reassembling the compensator reverse the steps outlined above, make sure that the compensator is properly positioned on the frame rails and that all three (3) screws are in the correct position for reassembly.
5. Use the allen wrench supplied to tighten all three screws to secure the compensator on the frame.