



SIG SAUER
when it counts™

OWNER'S MANUAL

ROTARY DIOPTER REAR SIGHT

Optimized for the SIG556® rifle, the SIG SAUER® Rotary Diopter Rear Sight provides four site stations (CQB, 100m, 200m, 300m) with tool-less windage and elevation adjustment. This sight attaches to the Receiver M1913 Rail and is designed to work in conjunction with the Hooded Front Sight.

CONTENTS

1. Rotary Diopter Rear Sight
2. Hooded Front Sight
3. Instructions
4. Allen key

FEATURES

- 4 sight stations (CQB, 100m, 200m, 300m) for accurate engagement at varying distances
- Tool-less windage and elevation adjustment
- Optimized for M855 and M193 ammunition
- M1913 compatible mounting system
- Front & rear sight co-witness with Mini Red Dot Sight
- Durable steel construction

INSTRUCTIONS

Mounting the sight:

- Position center of mounting clamp nut approximately 1" from rear of rail with mounting clamp on left so that sight drum is to rear.
- Tighten clamp nut to secure.

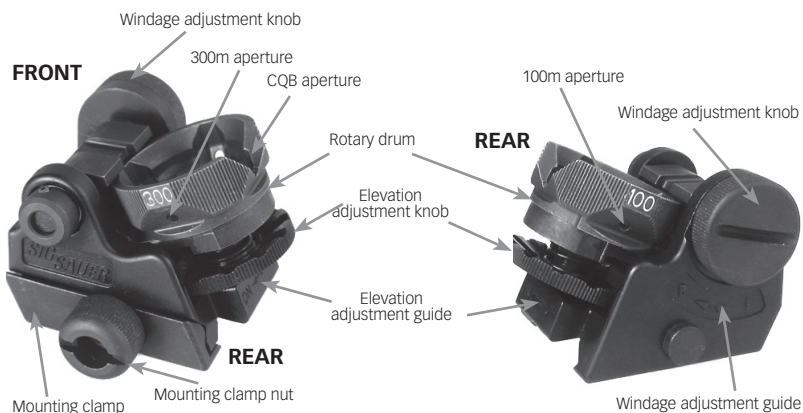
Windage & Elevation Adjustment

- All sight stations are calibrated when sight is properly adjusted at 100, 200 or 300 meter stations. For best results, adjust at the furthest range available.
- Windage – rotate windage adjustment knob to make corrections:
R (clockwise) moves impact point right;
L (counter-clockwise) moves impact point left.
- Elevation – rotate elevation adjustment knob to make corrections:
DN (left) moves impact point down;
UP (right) moves impact point up.
- Adjustment increments (windage & elevation):
16" barrel: 1 click = 0.5 MOA (0.5" @ 100m)
10" barrel: 1 click = 0.6 MOA (0.6" @ 100m)
- Total range of adjustment (100m)
16" barrel: 34" (0.87m) windage / 25" (0.64m) elevation
10" barrel: 43" (1.1m) windage / 32" (0.82m) elevation

Range settings

- Turn rotary drum left to increase range, right to decrease range.
The sight is designed to prevent inadvertent adjustments between CQB and 300m settings.
- Close Quarter Battle (CQB) Station – open "V" aperture. Provides quick target acquisition and engagement out to 100m and beyond.
The CQB station provides a point blank range as follows:
16" barrel: 237m +/-2.5" (+/-63mm)
10" barrel: 227m +/-3.0" (+/-75mm)
- 100m, 200m & 300m Stations: closed apertures optimized for point of aim/ point of impact at their respective ranges.
- For ranges beyond 300m, use 300m Station and adjust point of aim.

ROTARY DIOPTER REAR SIGHT



HOODED FRONT SIGHT

This fixed height sight, adjustable for windage, is required when using the Rotary Diopter Rear Sight on the SIG556® Rifle. The hooded front sight is standard on certain models.

INSTRUCTIONS

Existing sight removal (if applicable):

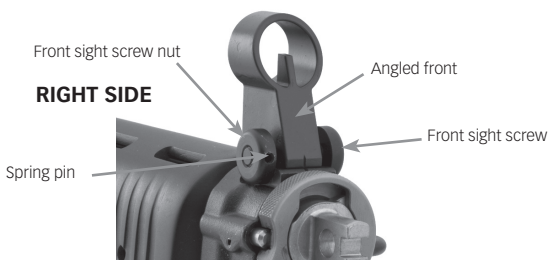
- Rotate front sight screw (left side of rifle) counter-clockwise (left) using 4mm Allen key until front sight is at right side of dovetail.
- Remove spring pin from front sight screw nut (right side of rifle) and remove nut.
- Remove front sight screw and front sight.

Sight installation:

- Insert hooded front sight into dovetail, from right side of rifle, angled face of sight facing forward.
- Insert front sight screw from left and tighten clockwise (right) using 4mm Allen key until hooded front sight is centered.
- Install front sight screw nut and tighten, aligning spring pin holes.
- Install spring pin through front sight screw and nut to secure.

Windage adjustment:

- Rotate front sight screw clockwise (right) to move impact right.
- Rotate front sight screw counter-clockwise (left) to move impact left.
- One full rotation moves impact approx 1" at 100m.



STATEMENT OF LIABILITY

This device is classified as a FIREARMS ACCESSORY and is sold by us with the specific understanding that we are not responsible in any manner whatsoever for its safe handling or resale under local laws and regulations. SIG SAUER Inc. shall not be responsible in any manner whatsoever for malfunctioning of the firearm, for physical injury or for property damage resulting in whole or in part from (1) criminal or negligent discharge, (2) improper or careless handling, (3) unauthorized modifications, (4) defective, improper, hand-loaded, or reloaded ammunition, (5) corrosion, (6) neglect, or (7) other influences beyond our direct and immediate control. This limitation applies regardless of whether liability is asserted on the basis of contract, negligence or strict liability (including any failure to warn). Under no circumstances shall SIG SAUER Inc. be liable for incidental or consequential damages, such as loss of use of property, commercial loss and loss of earnings or profits.

SIG SAUER® LIMITED ONE YEAR WARRANTY

SIG SAUER® warrants that the enclosed accessory was originally manufactured free of defects in material, workmanship and mechanical function, and agrees to correct these defects by repair, adjustment or replacement, at the option of SIG SAUER, with items of the same or comparable quality; provided, however, that the accessory is returned freight prepaid to SIG SAUER at 18 Industrial Drive, Exeter, NH 03833 by the original purchaser within one year of the date of purchase.

This limited warranty is null and void if the accessory has been misused, damaged (by accident or otherwise), or if unauthorized repair or any alteration, including of a cosmetic nature, has been performed on the accessory. This limited warranty does not apply to normal wear and tear of any parts.

Subject to the foregoing, this limited warranty confers the right to have the covered accessory or its parts repaired, adjusted or replaced exclusively by the original purchaser, which right is not transferable to any other person. NO IMPLIED WARRANTIES OF ANY KIND, INCLUDING THE WARRANTIES OF MERCHANTABILITY AND FITNESS FOR A PARTICULAR PURPOSE ARE MADE HEREIN, and this warranty does not apply to any accessory items attached or appurtenant to this accessory. In no event shall SIG SAUER be liable for incidental or consequential damages arising from or in connection with this limited warranty.

CONTACT

18 Industrial Drive, Exeter, NH 03833
(603) 772-2302 • www.sigsauer.com

P/N 1511512 rev 1.0

SIG SAUER®
when it counts™