

CPL-RM COMPACT PISTOL LASER



SIG SAUER
when it counts™

OWNER'S MANUAL

CPL-RM COMPACT PISTOL LASER

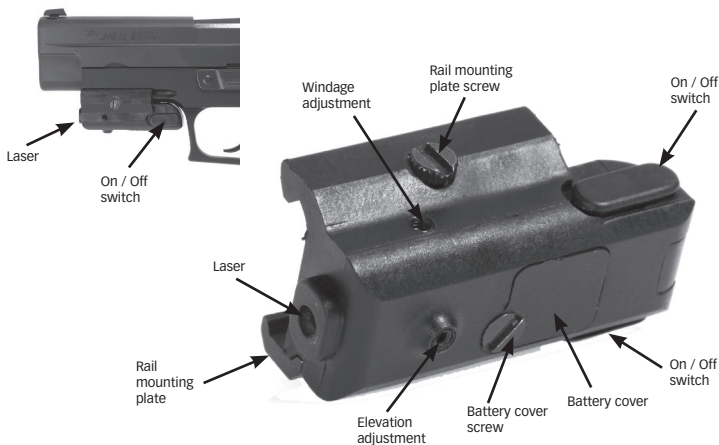
The CPL-RM Compact Pistol Laser is a compact, lightweight rail mounted red laser used for targeting. The CPL-RM integrates pinpoint accuracy and rapid target acquisition with intuitive operation in a form fitting package that weighs only 1.1 oz.

FEATURES

- Ambidextrous on / off switches
- Compact form factor
- Conveniently mounts to "SIG SAUER" and M1913 accessory rails
- Windage & elevation adjustments

CONTENTS

1. CPL-RM Compact Pistol Laser
2. Instructions
3. 3V CR1/3N Lithium Battery
4. 1.5 mm allen key (windage & elevation adjustment)



INSTRUCTIONS

Install Battery

- Remove battery cover
- Install battery as shown, + facing up
- Install battery cover

Mounting on firearm

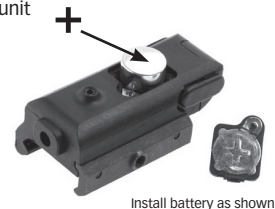
- Ensure firearm is empty and clear of all ammunition
- Loosen Rail Mounting Plate
- Attach laser unit as shown
- Tighten Rail Mounting Plate

Operation

- momentarily depress on/off switch to activate laser
- momentarily depress on/off switch to turn off laser
- Switching operates from either side

Laser Adjustment

- Unit is preset at the factory
- Use allen key to adjust windage or elevation
- Clockwise moves dot left / down
- Counterclockwise moves dot right / up
- Do not exceed 1/4 turn in either direction - overtightening will damage unit



SPECIFICATIONS: CPL-RM COMPACT PISTOL LASER

Dimensions	2.0" L x 1.1" W x 0.9" H
Weight w/batteries	1.1 oz / 31 g
Visible Laser	Hi Visibility (635nm), Class IIIa, Red
Laser switching	Steady on/off
Battery	CR1/3N Lithium or equivalent
Battery Life	2 hours steady operation (approx.)
Power management	Digital integrated circuit

*Lumens based on LED manufacturers specifications

Laser Information

Laser Type:
Class IIIa visible
laser diode
Peak Power: 3mW
Wavelength: 635nm
Beam Color: Red



This product conforms with 21 CFR 1040.10.

WARNING: Do not point the laser beam at eyes.
Permanent eye damage can result. See attached warning label -

WARNINGS

Before handling any firearm with the PRODUCT attached, read and understand the entire contents of your firearms manual (especially the safety precautions and procedures for safe firearms handling) and the PRODUCT manual. Failure to follow safety precautions when handling a firearm with the PRODUCT attached can result in damage to property, serious injury, or death. Once the PRODUCT is attached to the firearm, the firearm will be pointed at anything the PRODUCT is directed at. Do not point the PRODUCT at anything or anyone that you do not intend to shoot.

The ON / OFF switch on the PRODUCT allows operation of the laser without placing your finger inside the firearm trigger guard. Always keep your fingers off the trigger and outside the trigger guard until you are ready to fire the weapon. Always verify the weapon is free of ammunition and the chamber clear per the weapon's operators manual before attempting to mount or dismount the PRODUCT on the weapon. Always dismount the PRODUCT from the weapon when performing maintenance, cleaning the PRODUCT, and when replacing batteries. Never place your hand in front of the weapon muzzle when adjusting the PRODUCT.

Do not operate the PRODUCT around cleaning solvents or flammable/combustible materials, in environments involving gasses or a flammable atmosphere, or in areas where gasoline, paints, solvents, or other flammable liquids are stored.

When the laser dims or fails to illuminate, change batteries. Follow battery manufacturers' instructions for the proper handling, storage, and disposal of batteries. Do not store the PRODUCT with batteries installed.

BATTERY HAZARD WARNING

Battery manufacturers warn against mixing new and used batteries or different brand batteries together as this may increase the risk of leakage, fire or explosion. Do not, puncture, short-circuit, disassemble or heat batteries above 212°F (100°C). Do not recharge the batteries unless they are specifically designed as rechargeable batteries and then only in accordance with manufacturer's directions.

Lithium Batteries: Industry wide there have been reported incidents of off-brand Lithium batteries exploding or catching fire creating serious consequences. Sig Sauer, Inc. includes batteries from Duracell® and other well-known battery manufacturers with its products, and strongly urges you to only purchase replacement batteries from Duracell®, or other well-known battery manufacturers like Panasonic® and Rayovac®. These batteries are designed for use in high performance, high-drain devices, and their designs incorporate fault and heat protection for added safety. Use of inferior batteries may cause an explosion or fire, creating risk of damage to your device that will void the SIG SAUER Inc. warranty, cause damage to other property, and potentially serious injury or death.

STATEMENT OF LIABILITY

This device is classified as a FIREARMS ACCESSORY and is sold by us with the specific understanding that we are not responsible in any manner whatsoever for its safe handling or resale under local laws and regulations. SIG SAUER Inc. shall not be responsible in any manner whatsoever for malfunctioning of the firearm, for physical injury or for property damage resulting in whole or in part from (1) criminal or negligent discharge, (2) improper or careless handling, (3) unauthorized modifications, (4) defective, improper, hand-loaded, or reloaded ammunition, (5) corrosion, (6) neglect, or (7) other influences beyond our direct and immediate control. This limitation applies regardless of whether liability is asserted on the basis of contract, negligence or strict liability (including any failure to warn). Under no circumstances shall SIG SAUER Inc. be liable for incidental or consequential damages, such as loss of use of property, commercial loss and loss of earnings or profits.

SIG SAUER® LIMITED ONE YEAR WARRANTY

SIG SAUER® warrants that the enclosed accessory was originally manufactured free of defects in material, workmanship and mechanical function, and agrees to correct these defects by repair, adjustment or replacement, at the option of SIG SAUER, with items of the same or comparable quality; provided, however, that the accessory is returned freight prepaid to SIG SAUER at 18 Industrial Drive, Exeter, NH 03833 by the original purchaser within one year of the date of purchase.

This limited warranty is null and void if the accessory has been misused, damaged (by accident or otherwise), or if unauthorized repair or any alteration, including of a cosmetic nature, has been performed on the accessory. This limited warranty does not apply to normal wear and tear of any parts.

Subject to the foregoing, this limited warranty confers the right to have the covered accessory or its parts repaired, adjusted or replaced exclusively by the original purchaser, which right is not transferable to any other person. NO IMPLIED WARRANTIES OF ANY KIND, INCLUDING THE WARRANTIES OF MERCHANTABILITY AND FITNESS FOR A PARTICULAR PURPOSE ARE MADE HEREIN, and this warranty does not apply to any accessory items attached or appurtenant to this accessory. In no event shall SIG SAUER be liable for incidental or consequential damages arising from or in connection with this limited warranty.

CONTACT

18 Industrial Drive, Exeter, NH 03833
(603) 772-2302 • www.sigsauer.com

SIG SAUER®
when it counts™