

STL-900L TACTICAL LIGHT & LASER



SIGSAUER
when it counts™

OWNER'S MANUAL

STL-900L TACTICAL LIGHT & LASER

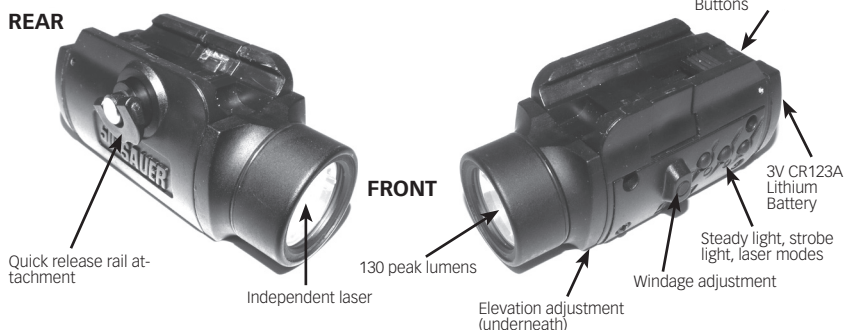
The STL-900L Tactical Light & Laser is a compact, lightweight solution for providing any firearm with a high-powered beam (steady or disorienting strobe light), along with a windage and elevation-adjustable pinpoint laser. This tiny powerhouse packs 130 peak lumens of light in a quick mount design.

FEATURES

- 3 modes of operation – steady light, strobe light, laser (with light or independent)
- Convenient left & right rear-mounted Momentary and Steady On buttons for light modes; independent on/off for laser
- Self-storing Allen key windage & elevation adjustment
- Quick release rail attachment

CONTENTS

1. STL-900L Tactical Light & Laser
2. Instructions
3. 3V CR123A Lithium Battery
4. Allen key



INSTRUCTIONS

Install battery:

- Depress rear panel clasp inside rail mount
- Position battery + facing out
- Close panel, pressing firmly to clasp shut

Note: This product features digital power management. When battery power drops below a preset level, the unit shuts down to protect the internal circuitry and prevent a battery overheating condition. If this occurs, the battery needs replacement.

Mounting on firearm:

- Depress quick release bar and hold.
- Slide STL-900L onto accessory rail.
- Release quick release bar and move STL-900L into place.
- Optionally, secure by hand-tightening locking bolt.

Getting Started:

- Select steady or strobe modes using side buttons.

○ • Steady light mode

⚡ • Strobe light mode

IMPORTANT

- Light must be **ON** to select or change modes.
- Last selected mode is retained until changed.
- Laser functions independently of either light mode. Press red side button to turn on/off.



• Laser mode

- For momentary operation of selected light mode, depress and hold top left or right (green) button on rear. For steady operation, press and release bottom left or right button (black) on rear.
- To adjust laser windage or elevation, remove appropriate rubber plug and use Allen key. Clockwise moves dot left/down; counter-clockwise moves dot right/up.

Note: The laser is pre-set to illuminate a target at 10m /30'. Depending on the firearm and distance, adjustment may be required. When the laser is near it's adjustment limit, it is normal to see a ghost image (secondary dot). Readjustment will correct this condition.

SPECIFICATIONS: STL-900L TACTICAL LIGHT & LASER

Interface	M1913 and compatible
Dimensions	3.3"L x 1.3"W x 1.4"H
Weight empty	3.1 oz / 87 g
Weight w/batteries	3.8 oz / 103 g
Light type	Hi Output LED
Power	130 Lumens peak*
Light switching	Steady on/off; momentary on/off
Light modes	Constant; Strobe
Strobe frequency	18-20 cycles per second
Visible Laser	Hi Visibility (635nm), Class IIIa, Red
Laser switching	Independent on/off

Laser modes	Stand-alone; with white light (constant & strobe)
Battery	(1) CR123A Lithium
Power management	Digital integrated circuit
Run time	80 Minutes peak (continuous operation)

*Lumens based on LED manufacturers specifications

Laser Information
Laser Type:
Class IIIa visible laser diode
Peak Power: 3mW
Wavelength: 635nm
Beam Color: Red

This product conforms with 21 CFR 1040.10.



WARNING: Do not point the laser beam at eyes. Permanent eye damage can result. See attached warning label -

WARNINGS

Before handling any firearm with the PRODUCT attached, read and understand the entire contents of your firearms manual (especially the safety precautions and procedures for safe firearms handling) and the PRODUCT manual. Failure to follow safety precautions when handling a firearm with the PRODUCT attached can result in damage to property, serious injury, or death. Once the PRODUCT is attached to the firearm, the firearm will be pointed at anything the PRODUCT is directed at. Do not point the PRODUCT at anything or anyone that you do not intend to shoot.

The PRODUCT is designed to produce a sufficient amount of light to illuminate and identify an object or person in a low light environment without having to point the PRODUCT - and the attached firearms - directly at that object or person. The light from the PRODUCT can be pointed in a safe direction at a floor, wall or ceiling and "bounced" onto the darkened silhouette for identification purposes, avoiding the need to point the firearm directly at an individual.

The ON / OFF switch on the PRODUCT allows operation of the light without placing your finger inside the firearm trigger guard. Always keep your fingers off the trigger and outside the trigger guard until you are ready to fire the weapon. Always verify the weapon is free of ammunition and the chamber clear per the weapon's operators manual before attempting to mount or dismount the PRODUCT on the weapon. Always dismount the PRODUCT from the weapon when performing maintenance, cleaning the PRODUCT, and when replacing batteries. Never place your hand in front of the weapon muzzle when adjusting the PRODUCT.

Do not operate the PRODUCT around cleaning solvents or flammable/combustible materials, in environments involving gasses or a flammable atmosphere, or in areas where gasoline, paints, solvents, or other flammable liquids are stored.

Never place the PRODUCT on its face (bulb down) while on. The bulb generates intense heat and could cause damage to the PRODUCT or the surface it is on.

Use only high quality 15.5 mA batteries. The light is equipped with circuitry that shuts off power when voltage drops below a preset level. When the light dims or fails to illuminate, change batteries. Always replace batteries as a set - do not mix new and used batteries. Follow battery manufacturers' instructions for the proper handling, storage, and disposal of batteries. Do not store the PRODUCT with batteries installed.

BATTERY HAZARD WARNING

Battery manufacturers warn against mixing new and used batteries or different brand batteries together as this may increase the risk of leakage, fire or explosion. Do not, puncture, short-circuit, disassemble or heat batteries above 212°F (100°C). Do not recharge the batteries unless they are specifically designed as rechargeable batteries and then only in accordance with manufacturer's directions.

Lithium Batteries: Industry wide there have been reported incidents of off-brand Lithium batteries exploding or catching fire creating serious consequences. Sig Sauer, Inc. includes batteries from Duracell® and other well-known battery manufacturers with its products, and strongly urges you to only purchase replacement batteries from Duracell®, or other well-known battery manufacturers like Panasonic® and Rayovac®. These batteries are designed for use in high performance, high-drain devices, and their designs incorporate fault and heat protection for added safety. Use of inferior batteries may cause an explosion or fire, creating risk of damage to your device that will void the SIG Sauer Inc. warranty, cause damage to other property, and potentially serious injury or death.

STATEMENT OF LIABILITY

This device is classified as a FIREARMS ACCESSORY and is sold by us with the specific understanding that we are not responsible in any manner whatsoever for its safe handling or resale under local laws and regulations. SIG SAUER Inc. shall not be responsible in any manner whatsoever for malfunctioning of the firearm, for physical injury or for property damage resulting in whole or in part from (1) criminal or negligent discharge, (2) improper or careless handling, (3) unauthorized modifications, (4) defective, improper, hand-loaded, or reloaded ammunition, (5) corrosion, (6) neglect, or (7) other influences beyond our direct and immediate control. This limitation applies regardless of whether liability is asserted on the basis of contract, negligence or strict liability (including any failure to warn). Under no circumstances shall SIG SAUER Inc. be liable for incidental or consequential damages, such as loss of use of property, commercial loss and loss of earnings or profits.

SIG SAUER® LIMITED ONE YEAR WARRANTY

SIG SAUER® warrants that the enclosed accessory was originally manufactured free of defects in material, workmanship and mechanical function, and agrees to correct these defects by repair, adjustment or replacement, at the option of SIG SAUER, with items of the same or comparable quality; provided, however, that the accessory is returned freight prepaid to SIG SAUER at 18 Industrial Drive, Exeter, NH 03833 by the original purchaser within one year of the date of purchase.

This limited warranty is null and void if the accessory has been misused, damaged (by accident or otherwise), or if unauthorized repair or any alteration, including of a cosmetic nature, has been performed on the accessory. This limited warranty does not apply to normal wear and tear of any parts.

Subject to the foregoing, this limited warranty confers the right to have the covered accessory or its parts repaired, adjusted or replaced exclusively by the original purchaser, which right is not transferable to any other person. NO IMPLIED WARRANTIES OF ANY KIND, INCLUDING THE WARRANTIES OF MERCHANTABILITY AND FITNESS FOR A PARTICULAR PURPOSE ARE MADE HEREIN, and this warranty does not apply to any accessory items attached or appurtenant to this accessory. In no event shall SIG SAUER be liable for incidental or consequential damages arising from or in connection with this limited warranty.

CONTACT

18 Industrial Drive, Exeter, NH 03833
(603) 772-2302 • www.sigsauer.com

04/11

SIG SAUER
when it counts™