



ELECTRO-OPTICS

FOXTROT365XR™

FOXTROT365XR, TACTICAL WHITE LIGHT, FOR P365 MODELS

OPERATOR'S MANUAL

SIG SAUER®



TABLE OF CONTENTS

Introduction	3
Contents	4
Key Features	5
Product Identification	6
Installation	7
Battery Installation and Replacement.	11
Recharging Your 15270 Li-ion Batteries.	13
Operation	14
Cleaning & Maintenance	18

INTRODUCTION

Congratulations on the purchase of your FOXTROT365XR™ Tactical White Light. The FOXTROT365XR™ Tactical White Light is designed to interface perfectly with your SIG SAUER P365 pistol. With Instant activation there is no better solution for self defense, conceal carry, and home defense.

The FOXTROT365XR™ is covered by the SIG SAUER Electro-Optics Infinite Guarantee.



Please visit [sigsauer.com](https://www.sigsauer.com) for info on all SIG SAUER products.



CONTENTS

- FOXTROT365XR™ Tactical White Light
- (2) RCR15270 High Capacity Li-ion Rechargeable Batteries (1 extra)
- Smart Independent USB Battery Charger
- 1.25mm Hex Key
- 2 Additional Assembly Screws

KEY FEATURES

- Compact & lightweight Pistol Weapon Light
- 550 lumen / 17,000 candela
- Instant activation with grip module tactile switch
- Precision engineered to fit SIG P365®



PRODUCT IDENTIFICATION

A. Right Housing

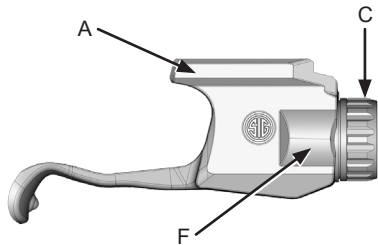
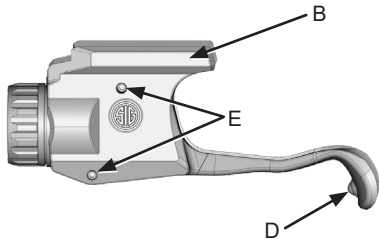
B. Left Housing

C. Light Bezel

D. Tactile Activation Switch

E. Assembly Screws

F. Battery Compartment

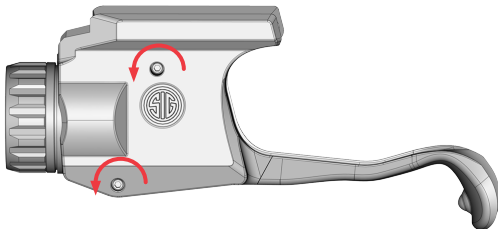


**WARNING UNLOAD/CLEAR**

PRIOR TO INSTALLATION, BATTERY CHANGE, CLEANING OR MAINTENANCE, FOLLOW THE SIG P365® OPERATOR'S MANUAL TO ENSURE THE FIREARM IS UNLOADED AND CLEARED, THEN POINTED IN A SAFE DIRECTION.

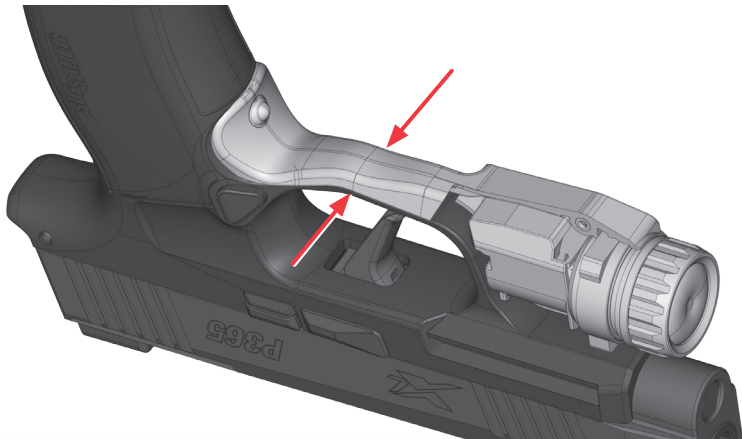
INSTALLATION

1. Uninstall (2) assembly screws, remove left housing and set aside.

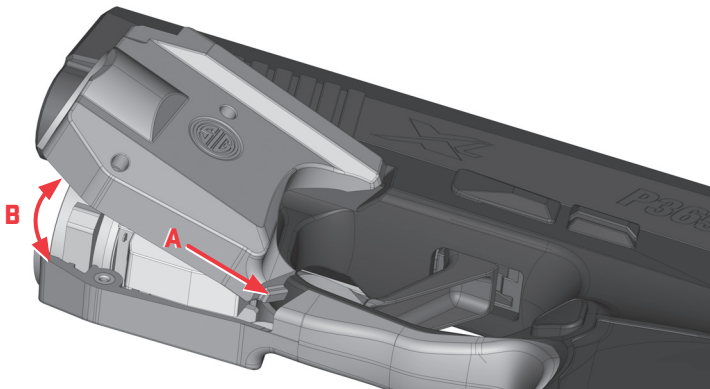




2. Center rear portion of right housing on pistol trigger guard as shown.



3. Insert tab of left housing (A) into right housing (B) at 30° angle. Mate left housing (A) to right housing (B).





CAUTION

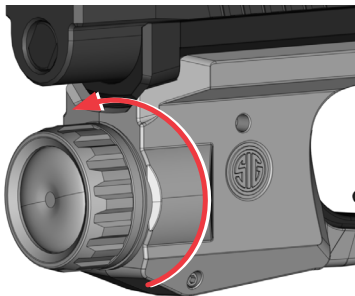
USE CAUTION WHEN TIGHTENING ASSEMBLY SCREWS. TIGHTEN EACH SCREW UNTIL SECURE. DO NOT OVER-TIGHTEN AS THIS MAY DAMAGE HOUSING.

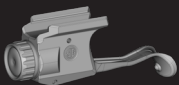
4. Install (2) assembly screws into left housing with 1.25mm Hex Key. Squeeze both sides together tightly, then tighten each mounting screw until hand-tight. Do not over-tighten as this may damage housing.



BATTERY INSTALLATION AND REPLACEMENT:

1. Unscrew bezel counterclockwise to remove.





2. Insert the provided fully charged 15270 Li-ion battery or standard CR2 battery (+) end first into housing.



3. After battery is inserted into the housing, thread the bezel clockwise back into the housing until fully tightened.

RECHARGING YOUR 15270 LI-ION BATTERIES

1. Remove bezel by turning bezel counterclockwise, and remove your battery.
2. Insert USB cord into a plug that accepts USB, this could be a laptop or a power plug for a cell phone.
3. Insert the re-chargeable battery (+) side facing towards the SIG SAUER Logo and (-) end of the battery facing towards bottom of the charger.
4. Once the light on the charger turns GREEN the included re-chargeable battery is fully charged.
5. Re-insert the fully charged 15270 Li-ion battery (+) end first into battery housing.
6. After battery is inserted into the housing, thread the bezel clockwise back into the housing until fully tightened.





OPERATION

To turn light ON, press the tactile activation switch as grip is tightened on the pistol. To turn the light OFF press and release the tactile activation switch again.



TACTILE ACTIVATION SWITCH

The FOXTROT365XR™ is programmable with three modes of activation; momentary mode, latching mode, and threshold mode.

Mode 1: Threshold Mode (Default) - Threshold mode allows the user to operate the light in either Momentary or Latching mode. To enter Latching mode push and release the tactile switch within .25 second (immediately). To turn the light OFF press and release the tactile switch again. For momentary operation press and hold the tactile switch for more than .25 second and the light will remain ON until you release the tactile switch.

Mode 2: Latching Mode - Latching mode means that when you press and release the tactile switch the light will remain ON. To turn the light OFF press and release the tactile switch again.

Mode 3: Momentary Mode - Momentary mode means that when you press and hold the tactile switch, the light will remain ON until you release the tactile switch.



To program the FOXTROT365XR™ turn the light ON. From the ON state press the tactile switch 6 times repeatedly, on the 6th press of the tactile switch hold switch down for half of a second. The light will then flash once for Mode 1, twice for Mode 2, and three times for Mode 3. Repeat as necessary for programming your light into the desired mode.

When the battery is reinstalled, the default mode is Mode 1. If battery is reinstalled under 5 seconds the mode will stay in the current mode set by the user.

FOXTROT365XR SPECIFICATIONS

Dimensions	4.3" L x 1.0" W x 1.64" H
Weight	1.4 oz with (1) 15270 Li-ion Battery Installed
Lumen Rating	550
Candela Rating	17,000
Battery	(1) 15270 Hi Capacity Li-ion Rechargeable Battery or (1) CR2 Battery
Activation Switch Type	Instant Activation With 3 User Programmable Modes
Water Resistance	IPX4

RISK GROUP 2

CAUTION: Possibly hazardous optical radiation emitted from this product. Do not stare at operating lamp. May be harmful to the eyes.



WARNING: CANCER AND REPRODUCTIVE HARM—www.P65warnings.ca.gov

NOTICE: Export restrictions may apply – this product may be controlled either by the ITAR or EAR.



WARNING UNLOAD/CLEAR



PRIOR TO INSTALLATION, BATTERY CHANGE, CLEANING OR MAINTENANCE, FOLLOW THE SIG P365® OPERATOR'S MANUAL TO ENSURE THE FIREARM IS UNLOADED AND CLEARED, THEN POINTED IN A SAFE DIRECTION.

CLEANING & MAINTENANCE

After repeated fire, the lens may become clouded with gunpowder residue. For best results, it is recommended that this area be cleaned, along with the firearm, after each use. To clean the lens, follow these steps:

1. Keep firearm pointed in a safe direction.
2. Ensure firearm is unloaded and cleared.
3. Confirm light is off.
4. Dampen the end of a cotton swab with isopropyl alcohol.
5. Apply dampened swab to lens and polish in a small circular pattern. Be sure to clean around lens edge.

Firearm should be cleaned and lubricated exactly as directed in your SIG SAUER P365® owner's manual. Excess lubrication can interfere with the proper function of both firearm and FOXTROT365XR™ Pistol Weapon Light. The FOXTROT365XR™ Pistol Weapon Light should never be submerged or flushed with cleaning solvents.



SIG SAUER ELECTRO-OPTICS INFINITE GUARANTEE®/LIMITED LIFETIME WARRANTY

SIG SAUER® has manufactured the most rugged, dependable, high-performance firearms for more than two centuries. Our heritage of design, engineering, and precision-manufactured quality predates the existence of any other optics company worldwide. We understand the importance of quality in the line of fire, at the shooting range or on your next hunt. SIG SAUER Electro-Optics had to earn the right to wear that badge and the Infinite Guarantee has your back, forever. Period.

We will repair or replace your SIG SAUER product in the event it becomes damaged or defective, at no charge to you. If we cannot repair your product, we will replace it with a product in perfect working order of equal or better physical condition.

SIG SAUER® Infinite Guarantee®

- Unlimited Lifetime Guarantee
- Fully Transferable
- No Warranty Card Required
- No Receipt Required
- No Time Limit Applies
- No Charge

Please note that our Infinite Guarantee excludes coverage for intentional damage, misuse, cosmetic damage that does not affect the performance of the optic, loss, theft, or unauthorized repair or modification. Excludes Tritium components.

Customers seeking warranty coverage must first obtain a Return Merchandise Authorization (RMA) by contacting SIG SAUER Customer Service, and return the product unloaded and freight prepaid.

ANY WARRANTIES IMPLIED BY LAW, INCLUDING ANY IMPLIED WARRANTIES OF MERCHANTABILITY OR FITNESS FOR A PARTICULAR PURPOSE, ARE EXPRESSLY DISCLAIMED. REPAIR, ALTERATION, OR REPLACEMENT AS PROVIDED HEREIN IS YOUR EXCLUSIVE REMEDY FOR ANY DEFECTIVE PRODUCT. IN NO EVENT SHALL SIG SAUER OR ANY COMPANY AFFILIATED WITH SIG SAUER BE LIABLE FOR ANY SPECIAL, INCIDENTAL, OR CONSEQUENTIAL DAMAGES OF ANY KIND ARISING OUT OF THE PURCHASE OR USE OF THIS PRODUCT, WHETHER BASED UPON CONTRACT, TORT, STATUTE, OR OTHERWISE. Some states do not allow the exclusion or limitation of implied warranties, or the exclusion or limitation of incidental or consequential damages, so some or all of the above limitations or exclusions may not apply to you. This warranty gives you specific legal rights, and you may also have other rights which vary from State to State.

THIS WARRANTY APPLIES TO COMMERCIAL CUSTOMERS ONLY, AND DOES NOT APPLY TO GOVERNMENT, MILITARY, LAW ENFORCEMENT, OR NON-US CUSTOMERS. NON-US COMMERCIAL CUSTOMERS MUST PURCHASE PRODUCT THROUGH AN AUTHORIZED SIG SAUER DEALER WITHIN THEIR COUNTRY OF RESIDENCE FOR THIS WARRANTY TO APPLY.

NOTES:

SIG SAUER®

sigsauer.com

FOR PRODUCT SERVICE ON THIS MODEL, PLEASE CALL 603-610-3000

12100 SW Tualatin Rd, Tualatin, OR 97062 USA