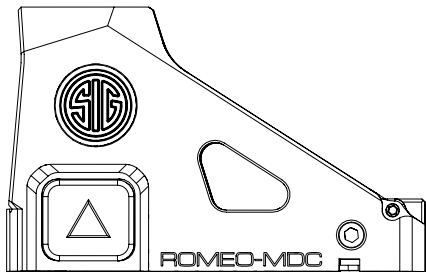


SIGSAUER



ROMEO-MDC

Mini Daily Carry COMPACT Open Reflex Sight
OPERATOR'S MANUAL



READ THE INSTRUCTIONS AND WARNINGS IN THIS MANUAL CAREFULLY BEFORE
USING THIS OPTIC; DO NOT DISCARD THIS MANUAL.

CONTENTS

1.0 INTRODUCTION	3
2.0 CONTENTS	4
3.0 KEY FEATURES	5
4.0 ROMEO-MDC PRODUCT IDENTIFICATION	6
5.0 OPERATION	11
5.1 INSTALLING THE BATTERY	11
5.2 TURNING SIGHT ON AND OFF	12
6.0 INSTALLATION	13
6.1 MOUNTING THE OPTIC	15
7.0 SIGHT ADJUSTMENTS AND ZEROING	16
7.1 ELEVATION ADJUSTMENTS	16
7.2 WINDAGE ADJUSTMENTS	16
7.3 ZEROING	18
8.0 MAINTENANCE	19
8.1 CLEANING	20
8.2 REPLACING THE BATTERY	20
9.0 TROUBLESHOOTING	21

1.0 INTRODUCTION

Designed for everyday carry and packed with features, the ROMEO-MDC (Mini Daily Carry) is a user-friendly and rugged pistol optic. It features the industry-standard Shield RMSc mounting footprint and is compatible with all COMPACT SIG Sauer optic-ready pistols, such as the P365, as well as many other popular firearms on the market.

The ROMEO-MDC features a high-efficiency point source LED emitter and aspherical lens, utilizing a high-performance red notch reflector coating for excellent brightness and light transmission with minimal distortion. A 3 MOA or 6 MOA red dot reticle with 12 brightness settings ensures rapid target engagement with both eyes open for maximum situational awareness.

MOTAC (Motion Activated Illumination) automatically shuts the optic off after 2 minutes of inactivity then automatically turns it back on when motion is detected. To make battery changes easier, the common CR1632 battery is accessed from on top of the optic, so there is no need to remove the optic from the firearm.

The ROMEO-MDC is covered by the SIG SAUER® Infinite Guarantee.™

2.0 CONTENTS

- ROMEO-MDC 1x23mm Open Reflex Sight
- CR1632 Battery
- Mounting Screws
- Mounting and Adjustment Tools
- Rubber Sight Cover
- Lens Cloth
- Operator's Manual



Scan the QR code to visit sigsauer.com where you will find additional information about SIG SAUER products, SIG SAUER Academy and the SIG Experience Center, Special Programs, and additional support.

3.0 KEY FEATURES

- 7075 aluminum housing
- Industry-standard Shield RMSc mounting footprint.
- High-efficiency point source LED emitter with 12 brightness settings (10 daytime/2 night vision).
- High quality glass aspherical lens for minimal distortion and a crisp reticle.
- Top-mounted CR1632 battery compartment with threaded cap for easy battery changes without the need to remove the optic from the firearm.
- Minimum continuous runtime of 20,000 hours at medium brightness setting.
- MOTAC (Motion Activated Illumination) that powers up when it senses motion and powers down when it does not.
- Dependable waterproof performance (IPX-7 rated for complete water submersion up to 1 meter).
- SIG SAUER® Infinite Guarantee.™

BUTTON BATTERY WARNING INFORMATION

⚠ WARNING

- **INGESTION HAZARD:** This contains a button cell or coin battery.
- **DEATH** or serious injury can occur if ingested.
- A swallowed button cell or coin battery can cause **Internal Chemical Burns** in as little as **2 hours**.
- **KEEP** new and used batteries **OUT OF REACH of CHILDREN**.
- **Seek immediate medical attention** if a battery is suspected to be swallowed or inserted inside any part of the body.



- Keep in original package until ready to use.
- Remove and immediately recycle or dispose of used batteries according to local regulations and keep away from children. Do NOT dispose of batteries in household trash or incinerate.
- For treatment information call, The National Battery Ingestion Hotline (NBIH) 1-(800) 498-8666.

⚠ WARNING

- Even used batteries may cause severe injury or death.
- Call a local poison control center for treatment information.
- Compatible battery: CR1632 Nominal voltage: 3V
- Do not mix old and new batteries, different brands or types of batteries, such as alkaline, carbon-zinc, or rechargeable batteries.
- Ensure the batteries are installed correctly according to polarity (+ and -).
- Remove and immediately recycle or dispose of batteries from equipment not used for an extended period of time according to local regulations.
- Non-rechargeable batteries are not to be recharged.
- Do not force discharge, recharge, disassemble, heat above 212°F (100°C) or incinerate. Doing so may result in injury due to venting, leakage or explosion, resulting in chemical burns.
- Always completely secure the battery compartment. If the battery compartment does not close securely, stop using the product, remove the batteries, and keep them away from children.



WARNING: CANCER AND REPRODUCTIVE HARM—www.P65warnings.ca.gov



**WARNING****UNLOAD/CLEAR**

BEFORE WORKING ON YOUR ROMEO-MDC SIGHT, ALWAYS ENSURE THAT THE FIREARM IS UNLOADED AND CLEARED WITH THE SAFETY ON AND POINTED IN A SAFE DIRECTION. FAILURE TO COMPLY COULD RESULT IN INJURY OR DEATH.

5.0 OPERATION

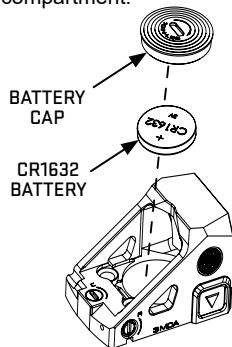
NOTE

Failure to properly torque the battery cap in a clockwise (CW) direction to 10 in-lbf could lead to an ingestion hazard of the coin battery, intermittent LED illumination, or allow moisture into the battery compartment.

5.1 INSTALLING THE BATTERY

The battery cap is located on the top of the optic, behind the lens, and is threaded into the housing.

1. Using a properly sized flat blade tool in the slot, turn battery cap counterclockwise to remove.
2. Install a fresh CR1632 coin cell battery with the positive (+) side facing up.
3. Carefully thread the battery cap clockwise into the housing until it seats fully. The proper torque value to install the battery cap is 10 in-lbf.



5.2 TURNING SIGHT ON AND OFF

- From OFF, you can turn the optic ON by pressing and releasing either the ▲ (UP) or ▼ (DOWN) brightness button. To turn the optic OFF, press and hold the ▼ (DOWN) brightness button for over 3 seconds.
- The ROMEO-MDC features MOTAC (Motion Activated Illumination System). If the optic does not detect motion for 2 minutes, it automatically shuts off to preserve battery life. The instant the optic detects motion, it powers on returning the reticle to the brightness setting that was last used.
- The ROMEO-MDC has 12 brightness settings: 10 daylight and 2 night vision. While the sight is ON, increase the brightness of the reticle by pressing and releasing the ▲ (UP) brightness button until the desired brightness level is reached. To decrease the brightness, press and release the ▼ (DOWN) brightness button. The reticle will blink 3 times when the highest or lowest setting is reached.

6.0 INSTALLATION

**WARNING****UNLOAD/CLEAR**

BEFORE WORKING ON YOUR ROMEO-MDC SIGHT, ALWAYS ENSURE THAT THE FIREARM IS UNLOADED AND CLEARED WITH THE SAFETY ON AND POINTED IN A SAFE DIRECTION. FAILURE TO COMPLY COULD RESULT IN INJURY OR DEATH.

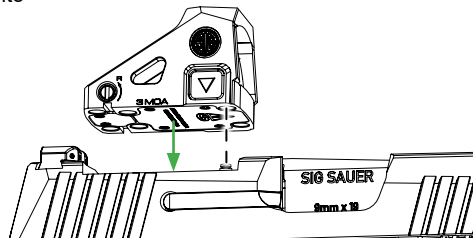
The ROMEO-MDC is designed to mount to any firearm or mount that uses the Shield RMS-c mounting footprint. If mounting the ROMEO-MDC to an aluminum slide, mount, or adapter plate, see the slide/mount/plate manufacturer's torque specifications. For other SIG SAUER optics-ready pistols not listed on the following page, contact SIG SAUER Customer Service for mounting screw information, torque values, and mounting guidance.

The ROMEO-MDC comes with mounting screws for the most common pistols in the industry. The mounting screws are labeled and correspond to the following mounting applications and torque values:

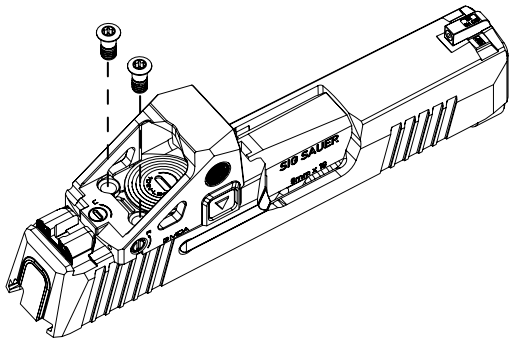
SCREW PART NUMBER	DRIVE	APPLICATION	TORQUE (INCH POUNDS)
M3	T10 TORX	SIG P365 WITH M3 SCREW HOLES	20
	T10 TORX	SIG P322	12
LONG M4	T10 TORX	SIG P365 SLIDES WITH M4 SCREW HOLES AND ANY SHIELD RMS _c FOOTPRINT	24
SHORT M4	T10 TORX	GLOCK® MOS PISTOLS AND ADAPTER PLATES, SPRINGFIELD HELLCAT®	24

6.1 MOUNTING THE OPTIC

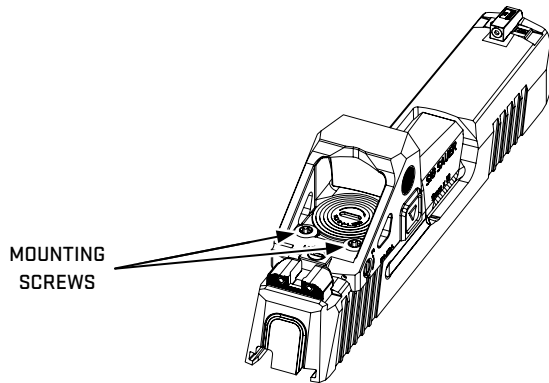
1. Remove any pistol optic cover plate from the pistol slide (refer to your firearm owner's manual).
2. Ensure the threaded mounting holes in the mounting surface are clean and free from any debris or thread locker compound.
3. Select the proper mounting screws and test them first to ensure they thread smoothly into the mounting surface holes.
4. Set the ROMEO-MDC onto the mounting surface, aligning any protruding recoil bosses on the mounting surface with the corresponding recoil lug witness holes on the bottom of the optic.



5. Insert the mounting screws through the optic mounting screw holes and slowly thread them into the mounting surface. While threading screws, place forward pressure toward the muzzle on the optic housing.



6. Torque the mounting screws to the appropriate torque value found on the *Screw-Torque Table, page 14*. It is strongly recommended that you use an inch-pound torque wrench.



7.0 SIGHT ADJUSTMENTS AND ZEROING

7.1 ELEVATION ADJUSTMENTS

The elevation adjustment screw is located behind the mount screw holes at the rear of the top of the optic deck. To raise your point of impact (POI), use a small flat blade screwdriver to turn the adjustment screw counterclockwise. To lower your point of impact, turn the adjustment screw clockwise. Each click of the adjustment screw is equal to approximately 1.0 MOA (minute of angle).

7.2 WINDAGE ADJUSTMENTS

The windage adjustment screw is located on the right side of the optic, behind the ▼ (DOWN) brightness adjustment button. To move your point of impact right, use a small flat blade screwdriver to turn the adjustment screw counterclockwise. To move your point of impact left, turn the screw clockwise. Each click of the adjustment screw is equal to approximately 1.0 MOA.

NOTE

The directional arrows near the adjustment screws indicate the direction your bullet impacts will move. They do not indicate the direction the reticle is moving.

Elevation Adjustment		
POI Up	↑	↺
POI Down	↓	↻
Windage Adjustment		
POI Right	→	↺
POI Left	←	↻

7.3 ZEROING

When mounted, the ROMEO-MDC should be sighted in similar to a rifle optic. It is recommended that the initial sight-in procedure be done with a paper target at 5-7 yards before moving the target to greater distances for final zeroing.

1. Shoot a precise group (minimum 5 rounds) at a cardboard or paper target.
2. Compare the point of aim (POA) you held on the target with the point of impact (POI) of the rounds on the target.
3. Use the windage and elevation adjustments to bring the point of aim together with the point of impact. Refer to the adjustment table for click values and directions.
4. Repeat until POA aligns with POI.
5. Fire a final group to confirm the zero at operator's desired distance.

PAGE INTENTIONALLY LEFT BLANK

8.0 MAINTENANCE

**WARNING****UNLOAD/CLEAR**

BEFORE WORKING ON YOUR ROMEO-MDC SIGHT, ALWAYS ENSURE THE FIREARM IS UNLOADED AND CLEARED WITH THE SAFETY ON AND POINTED IN A SAFE DIRECTION. FAILURE TO COMPLY COULD RESULT IN INJURY OR DEATH.

CAUTION

ALWAYS BLOW DUST OR DEBRIS FROM LENSES PRIOR TO USING ANY CLOTH OR LENS PEN. FAILURE TO DO THIS MAY RESULT IN SCRATCHING OF THE LENSES.

8.1 CLEANING

- Keep glass lens clear by using a clean, soft lens cloth.
- To avoid scratches in the surface of the lens coatings, be sure to remove any brass particles, dirt, dust or carbon buildup from the glass before wiping the surface.
- Use compressed air to blow away debris and a cotton swab lightly soaked in Isopropyl Alcohol to remove carbon.

8.2 REPLACING THE BATTERY

- See *5.1 Installing the Battery on page 11*

9.0 TROUBLESHOOTING

POI Changes between groups when shooting from a single set distance:

- Check that your mounting screws are torqued to the correct specification. See *Table on page 14*
- Check for variations in ammunition brand, bullet weight, and velocity specs.
- Inspect and clean your firearm.

Reticle not illuminated:

- Press and release the ▲(UP) brightness adjustment button to ensure the illuminated reticle level is not set too low for operating conditions. Reticle may be difficult to see in bright environments.
- Ensure the battery is installed properly (+ facing upward).
- Make sure the battery cap is tightened to 10 in-lbf.
- Replace the battery.

SPECIFICATIONS

OVERALL LENGTH	1.59" (40.4mm)
OVERALL HEIGHT	1.0" (25.5mm)
OVERALL WIDTH	1.08" (27.5mm)
WEIGHT WITH BATTERY	1.03 oz (29.2 g)
MAGNIFICATION	1x
CLEAR APERTURE DIAMETER	23mm
AVAILABLE RETICLES	3 MOA and 6 MOA Red Dot
BATTERY TYPE	CR1632
BATTERY RUNTIME	Up to 20,000 hours (continuous at medium setting)
OVERALL ELEVATION TRAVEL	120 MOA
OVERALL WINDAGE TRAVEL	120 MOA
BRIGHTNESS SETTINGS	12 (10 daylight/2 night vision)
WATER RESISTANCE	IPX7
WINDAGE/ELEVATION ADJUSTMENT (Per click)	1.0 MOA



SIG SAUER® INFINITE GUARANTEE™

SIG SAUER® has a history of quality and reliability that dates back more than 250 years. We understand the importance of true dependability whether it be in the line of duty, at the shooting range or on your next hunt and we continually strive to deliver products that meet and exceed the expectations of even the most demanding customers. That's why SIG SAUER is proud to offer our INFINITE GUARANTEE* on all our firearms, optics, and suppressors.

Our promise: We warrant that your new SIG SAUER firearm, optic, or suppressor was originally manufactured free of defects in material, workmanship, electrical, optical, and mechanical function. We will repair your SIG SAUER product in the event it becomes damaged or is defective in any way, at no charge to you. If we cannot repair your product, we will replace it or, if we cannot replace it, we will provide you with a replacement of equal value. All with no questions asked, forever.

SIG SAUER® Infinite Guarantee

- Fully Transferable
- No Warranty Card Required
- No Receipt Required
- No Time Limit Applies
- No Charge

Please note that our Infinite Guarantee excludes coverage for intentional damage, misuse, cosmetic damage that does not affect the performance of the optic, loss, theft, or unauthorized repair or modification. Excludes Tritium components.

Customers seeking warranty coverage must first obtain a Return Merchandise Authorization (RMA) by contacting SIG SAUER Customer Service and return the product unloaded and freight prepaid.

ANY WARRANTIES IMPLIED BY LAW, INCLUDING ANY IMPLIED WARRANTIES OF MERCHANTABILITY OR FITNESS FOR A PARTICULAR PURPOSE, ARE EXPRESSLY LIMITED IN DURATION TO THE DURATION OF THIS WRITTEN WARRANTY PERIOD. REPAIR, ALTERATION, OR REPLACEMENT AS PROVIDED HEREIN IS YOUR EXCLUSIVE REMEDY FOR ANY DEFECTIVE PRODUCT. IN NO EVENT SHALL SIG SAUER OR ANY COMPANY AFFILIATED WITH SIG SAUER BE LIABLE FOR ANY SPECIAL, INCIDENTAL, OR CONSEQUENTIAL DAMAGES OF ANY KIND ARISING OUT OF THE PURCHASE OR USE OF THIS PRODUCT, WHETHER BASED UPON CONTRACT, TORT, STATUTE, OR OTHERWISE.

Some states do not allow the limitation of implied warranties, or the exclusion or limitation of incidental or consequential damages, so some or all of the above limitations or exclusions may not apply to you. This warranty gives you specific legal rights, and you may also have other rights which vary from State to State.

This warranty applies to commercial customers only and does not apply to government, non-commercial, or non-US customers. Non-US COMMERCIAL CUSTOMERS MUST PURCHASE PRODUCT THROUGH AN AUTHORIZED SIG SAUER DEALER WITHIN THEIR COUNTRY OF RESIDENCE FOR THIS WARRANTY TO APPLY.



**FOR PRODUCT SERVICE ON THIS MODEL,
PLEASE CALL (603) 610-3000**

12100 SW Tualatin Rd, Tualatin, OR 97062 USA

All trademarks, service marks, trade names, trade dress, product names and logos appearing in this manual are the property of their respective owners. No trademark or service mark appearing in this manual may be used without written consent of the mark's owner.