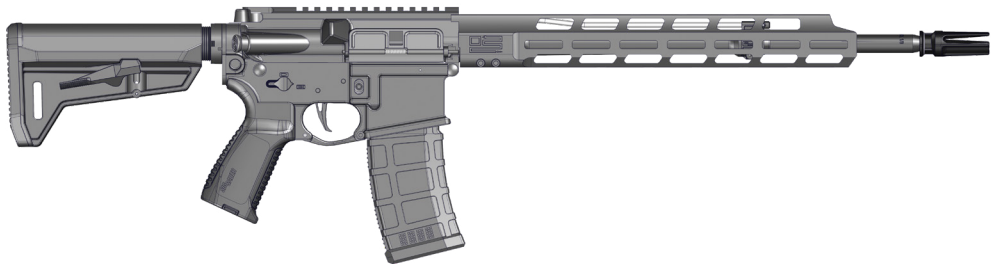


SIG SAUER®



SIG M400®

OPERATOR'S MANUAL: HANDLING & SAFETY INSTRUCTIONS



READ THE INSTRUCTIONS AND WARNINGS IN THIS MANUAL CAREFULLY BEFORE USING THIS FIREARM.



WARNINGS



WARNINGS

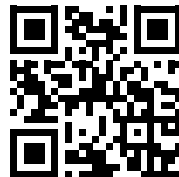
SIGSAUER



WARNING

BEFORE OPERATING THE FIREARM, REVIEW THE SAFETY WARNINGS MANUAL THAT WAS PROVIDED WITH THE FIREARM. ALTERNATIVELY, REFER TO SIGSAUER.COM FOR THE LATEST SAFETY WARNING INFORMATION.

For more information, scan the QR code below to visit sigsauer.com.





WARNINGS

1.0 SAFETY WARNINGS

READ THIS ENTIRE MANUAL THOROUGHLY AND CAREFULLY PRIOR TO USING THIS FIREARM.

The warnings in this operator's manual are extremely important. By understanding the dangers inherent in the use of any firearm, and by taking the precautions described in this manual, you can experience a high level of safety in the use of your firearm. Failure to heed any of these warnings may result in serious injury or death to you or others, as well as severe damage to the firearm or other property.

WARNINGS in this manual identify a clear danger to the person performing that procedure. Warnings are identified by a red banner with the word **WARNING** in white, bold, uppercase letters and a **WARNING** icon. Failure to comply with a **WARNING** can result in serious injury or death to you or a bystander.



WARNING

CAUTIONS in this manual identify a risk of damage to the firearm being maintained. **CAUTIONS** are identified by a black banner with the word **CAUTION** in white, bold, uppercase letters.

CAUTION



WARNINGS

SIG SAUER

SIG SAUER, INC.[®] firearms are designed to function reliably with proper care and knowledgeable use. Operators must understand the safe operation and use of any SIG SAUER firearm. Read and follow these instructions carefully. Do not use the firearm without understanding the instructions outlined in this manual and the safe operation of the firearm. **Failure to follow the instructions outlined in this manual may result in serious injury or death to the operator and/or others. Damage to the firearm and other property may also occur.**



WARNINGS

2.0 HANDLING

Your firearm comes equipped with effective, well-designed safety features. However, never rely completely on any safety mechanism. Safety mechanisms are designed to augment, not replace, safe handling practices. Careless and improper handling of any firearm can result in an unintentional discharge.

Proper and applied training in safe firearm handling will ensure the safe use of your firearm. Like all mechanical devices, the safety mechanisms are subject to breakage or malfunction and can be negatively affected by wear, abuse, dirt, corrosion, incorrect assembly, improper adjustment or repair, or lack of maintenance. Moreover, there is no such thing as a safety mechanism that is “childproof” or that can completely prevent accidental discharge from improper usage, carelessness, “horseplay,” or abusive handling.

Always handle your firearm as though you expect the safeties not to work.

THE MOST EFFECTIVE SAFETY IS TO CARRY FIREARM WITHOUT A ROUND IN THE CHAMBER, AND TO LOAD A ROUND IN THE CHAMBER ONLY WHEN READY TO FIRE.

Do not load a cartridge into the chamber until you are ready to use the firearm. Keep the firearm on SAFE until you are actually ready to use the firearm. Always move the selector fully to its engaged position and visually check it. The selector is not on SAFE unless it is completely on SAFE.



WARNINGS

2.1 BASIC RULES OF SAFE FIREARMS HANDLING

- ALWAYS treat every firearm as if it were loaded.
- ONLY load a round in the chamber when ready to fire.
- NEVER pull the trigger or place fingers on the trigger or in the trigger guard until ready to fire.
- NEVER allow clothing or other foreign objects to interfere or come in contact with the trigger.
- ALWAYS be sure the barrel is clear of any obstruction.
- ALWAYS be aware of the surroundings, and the safety of bystanders before shooting. Know the target and what is in front of and beyond it.
- ALWAYS use clean, dry, original factory-made ammunition of the proper type and caliber for the firearm.
- ALWAYS wear ear protection and safety glasses when shooting.
- ALWAYS carry a firearm so that control of the muzzle can be maintained in the event of a fall or stumble.
- NEVER shoot at a flat surface or water.
- DO NOT leave a loaded firearm unattended. Only store a firearm that is unloaded, cleared of all ammunition, and locked in a secure place inaccessible to children or unauthorized persons.
- NEVER allow the firearm to be used by anyone who has not read and understood the Operator's Manual.
- ALWAYS unload and clear a firearm according to the instructions in the Operator's Manual before handing it to another person.
- DO NOT point any firearm, loaded or unloaded, at any undesignated or unsafe target.



WARNINGS

- NEVER discharge a firearm near an animal unless the animal is trained to accept the noise. An animal's startled reaction could injure it or cause an accident.
- NEVER drink alcoholic beverages or use drugs before or during shooting, as vision and judgment could be seriously impaired, making firearm handling unsafe.
- ALWAYS seek a doctor's advice before using a firearm if using medication that would impair judgment or usage.



WARNINGS

SIG SAUER

2.2 ABUSIVE HANDLING

SIG SAUER firearms incorporate effective mechanical safeties. However, like any mechanical device, exposure to abusive conditions may harm these safety mechanisms and cause them to fail to work as designed. Do not subject the SIG SAUER firearm to any abusive handling. This includes the firearm being dropped, impact to the firearm, or the firearm being struck by another object. Always maintain control of the firearm. If the firearm suffers an abusive event such as previously described, or experiences a malfunction, do not attempt to use the firearm. Keep the firearm pointed in a safe direction, unload and clear the firearm of all ammunition immediately, and have it inspected by a certified SIG SAUER armorer before using the firearm.

ALWAYS keep the firearm pointed in a safe direction. A safe direction is defined as an area where, if the firearm were to discharge, no property damage would occur, and no personal injury would result.

As previously noted, if the SIG SAUER firearm suffers an abusive event, unload it immediately and have it inspected by a certified SIG SAUER Armorer prior to using the firearm. If the firearm suffers an abusive event during a life-threatening/self-defense situation, follow the steps below immediately:

1. Pull the charging handle entirely rearward to eject the chambered cartridge.
2. Return the charging handle forward to chamber a new cartridge and reset the hammer.
3. The firearm should now be returned to proper operational condition.

Intentional or repetitive abusive handling of any SIG SAUER firearm will void the manufacturer's warranty and could render the firearm unsafe.



WARNINGS

3.0 ALTERATIONS AND REPLACEMENT PARTS

Do not attempt to disassemble a SIG SAUER firearm beyond the point explained in the Operator's Manual. Disassembly beyond the instructions in the Operator's Manual is restricted to a certified SIG SAUER Armorer. Failure to comply with these restrictions will void the warranty.

This SIG SAUER firearm was designed to function properly in its original condition. Unauthorized alterations can make it unsafe. Do not alter or substitute any parts or accessories not manufactured or specifically authorized by SIG SAUER for this firearm. Warnings and instructions about the use of SIG SAUER replacement parts, assemblies, and accessories may be described in instructions accompanying the specific products. Read and carefully follow those instructions. Failure to comply may result in serious injury or death to the operator and/or others.

3.1 ACCESSORIES

It is the responsibility of the operator to ensure all accessories are compatible with the firearm and do not interfere with the safe operation and handling of the firearm.



WARNINGS

SIG SAUER

3.2 TRANSPORTING

When transporting a firearm, be sure the firearm is unloaded and cleared of all ammunition. It is the responsibility of the operator to know the laws of different states and jurisdictions when traveling with a firearm.

3.3 STORAGE

Safe and secure storage is an important responsibility. The only safe way to store a firearm is unloaded, cleared of all ammunition, and locked in a secure place inaccessible to children or unauthorized persons.

3.4 CHAMBER SAFETY FLAG

Every SIG SAUER firearm is shipped with a chamber safety flag. When installed, the chamber safety flag prevents the chambering of a round and provides a readily visible indication that the firearm's chamber is empty. The chamber safety flag is to be placed in the firearm's chamber at all times when the firearm is not in use. Many public ranges require chamber safety flags be installed when the firing line is cold.



WARNINGS

3.5 LIABILITY

This product is classified as a FIREARM and is sold by SIG SAUER with the specific understanding that we shall not be responsible in any manner whatsoever for malfunctioning of the firearm, physical injury, or property damage resulting in whole or in part from:

- Criminal or negligent discharge
- Improper, careless, or abusive handling
- Unauthorized modifications or parts replacement
- Defective, improper, hand-loaded, or reloaded ammunition
- Corrosion
- Neglect
- Other influences beyond our direct and immediate control

This limitation applies regardless of whether liability is asserted on the basis of contract, negligence, or strict liability (including any failure to warn). Under no circumstance shall SIG SAUER be liable for incidental or consequential damages such as loss of use of property, commercial loss, and loss of earnings or profits.



WARNINGS

SIG SAUER

4.0 EYE AND EAR PROTECTION



Always wear safety glasses that meet the requirements of American National Standards Institute (ANSI) z87.1 or European Standard (EN)166:2001 and ear plugs and “ earmuff ” type protectors whenever shooting. Always make certain that persons close are similarly protected. Unprotected eyes may be injured by powder, gas, carbon residue, lubricant, metallic particles, or similar debris that may emanate occasionally from any firearm in normal use. Without ear protection, repeated exposure to shooting noise may lead to cumulative, permanent hearing loss.



WARNINGS

5.0 AMMUNITION

Use only high-quality, original, factory-manufactured ammunition. Do not use cartridges that are dirty, wet, corroded, bent, or damaged. A damaged or deformed cartridge may impede chambering or cause the cartridge case to burst upon firing. Do not oil cartridges. Lubricant or other foreign matter on cartridges can potentially cause dangerous ammunition malfunctions. Some highly penetrative lubricants can also migrate inside cartridge cases and cause deterioration of the propellant powder; on firing, the powder might not ignite. If only the primer ignites, there is danger that the bullet may become lodged in the barrel. Only use ammunition of the caliber for which the firearm is chambered.

The proper caliber is permanently engraved on the firearm's barrel.



WARNINGS



The use of reloaded, hand-loaded (re-manufactured), or other nonstandard ammunition voids all warranties. Reloading is a science, and improperly loaded ammunition can cause severe damage to the firearm and may result in serious injury or death to the operator and/or others.

Always use ammunition that complies with the industry performance standards established by the Sporting Arms and Ammunition Manufacturers' Institute, Inc. (SAAMI) or ammunition manufactured to U.S. military specifications.

SIG SAUER specifically disclaims responsibility for any damage or injury whatsoever occurring in connection with, or as a result of, the use in any SIG SAUER firearm of faulty, nonstandard, hand-loaded (reloaded) ammunition, or cartridges other than those for which the firearm was originally chambered. Excessive pressure inside the chamber or barrel while firing a firearm may cause severe damage and serious injury or death to the shooter or to others may occur.



WARNING: CANCER AND REPRODUCTIVE HARM—www.P65warnings.ca.gov



DISCHARGING FIREARMS IN POORLY VENTILATED AREAS, CLEANING FIREARMS, OR HANDLING AMMUNITION MAY RESULT IN EXPOSURE TO LEAD AND OTHER SUBSTANCES KNOWN TO THE STATE OF CALIFORNIA TO CAUSE BIRTH DEFECTS, REPRODUCTIVE HARM, AND OTHER SERIOUS PHYSICAL INJURY. MAINTAIN ADEQUATE VENTILATION AT ALL TIMES. WASH HANDS THOROUGHLY AFTER EXPOSURE. SHOOTING OR CLEANING FIREARMS MAY EXPOSE OPERATORS TO LEAD.



WARNINGS

SIG SAUER

6.0 LOCKING DEVICES



All SIG SAUER firearms are shipped with a key-operated locking device or a lockable case.

Never install the locking device inside the trigger guard or in any way that makes it possible to pull the trigger. Do not leave the keys in the lock.

All firearm owners are responsible for secure storage of any firearm.

ALWAYS refer to the locking device's manufacturer directions for installation and removal of the device.

7.0 SAFETY INFORMATION

This Operator's Manual is designed to assist you in learning how to use and care for your SIG SAUER® firearm properly.

Only when you are certain that you fully understand this manual and can properly carry out its instructions should you practice loading and firing your firearm with live ammunition. Having a firearm in your possession is a full-time job; you cannot guess and you cannot forget. You must know how to use your firearm safely.

If you have any doubts about your ability to handle or use this firearm safely, you should seek supervised instruction.

The SIG SAUER Academy provides all levels of firearms safety and skill training, from beginner to expert.

For more information contact:

SIG SAUER
ACADEMY

sigsaueracademy.com • (603) 610-3400
Epping, New Hampshire

SAFETY MUST BE THE FIRST AND CONSTANT CONSIDERATION OF EVERY PERSON WHO HANDLES FIREARMS AND AMMUNITION.

For more information about safety, responsible firearms ownership, and shooting sports, contact:
National Rifle Association (NRA) of America
11250 Waples Mill Road, Fairfax, VA 22030-7400 • 1-800-672-3888
nra.com



Contents

1.0 SAFETY WARNINGS	4
2.0 HANDLING	6
2.1 BASIC RULES OF SAFE FIREARMS HANDLING	7
2.2 ABUSIVE HANDLING	9
3.0 ALTERATIONS AND REPLACEMENT PARTS	10
3.1 ACCESSORIES	10
3.2 TRANSPORTING	11
3.3 STORAGE	11
3.4 CHAMBER SAFETY FLAG	11
3.5 LIABILITY	12
4.0 EYE AND EAR PROTECTION	13
5.0 AMMUNITION	14
6.0 LOCKING DEVICES	16
7.0 SAFETY INFORMATION	17
8.0 MECHANICAL CHARACTERISTICS AND RIFLE THEORY	22
8.1 RIFLE DESCRIPTION	22
8.2 CONTROLS AND FEATURES	23
8.3 GROUPS AND ASSEMBLIES	25
8.3.1 UPPER RECEIVER GROUP	25
8.3.2 LOWER RECEIVER GROUP	29
8.4 CYCLE OF FUNCTION	30
9.0 OPERATING THE SIG M400	32
9.1 PREPARATION BEFORE USING THE FIREARM	32
9.2 SAFETY SELECTOR	33
9.3 UNLOAD AND CLEAR THE RIFLE	34

9.4 ADVERSE/SPECIAL ENVIRONMENTAL CONDITIONS	38
9.5 BUTTSTOCK ADJUSTMENT	40
9.6 LOADING/RELOADING	42
9.6.1 LOADING THE MAGAZINE	42
9.6.2 LOADING RIFLE (BOLT LOCKED TO THE REAR)	43
9.6.3 LOADING RIFLE (BOLT FORWARD)	44
9.6.4 RELOADING RIFLE (EXPENDED MAGAZINE, BOLT LOCKED TO THE REAR)	44
9.6.5 RELOADING RIFLE (PARTIAL MAGAZINE, BOLT FORWARD, ROUND CHAMBERED)	45
9.7 FIRING	46
10.0 OPERATOR LEVEL AUTHORIZED PREVENTIVE MAINTENANCE	47
10.1 FIELD STRIP THE SIG M400	47
11.0 CLEANING AND LUBRICATION	55
11.1 CLEANING	56
11.1.1 CLEANING THE BORE AND CHAMBER	56
11.1.2 CLEANING THE BOLT CARRIER GROUP	59
11.2 LUBRICATION	60
11.2.1 OPERATING GROUP AND GAS BLOCK	60
11.2.2 UPPER RECEIVER	62
11.2.3 LOWER RECEIVER	63
12.0 ASSEMBLY	64
13.0 FUNCTION CHECK	76
14.0 MAGAZINE MAINTENANCE	78
14.1 DISASSEMBLE MAGAZINE	78
14.2 CLEANING	80
14.3 ASSEMBLY	80



15.0	HANDGUARD	82
15.1	HANDGUARD REMOVAL	82
15.2	HANDGUARD INSTALLATION	84
16.0	TROUBLESHOOTING GUIDE	86
16.1	OBSTRUCTED BORE	87
16.2	COOK-OFF	88
16.3	GENERAL STOPPAGES	89
16.4	MINIMIZING STOPPAGES	91
17.0	STORAGE AND TRANSPORTATION	92
17.1	SHORT TERM STORAGE (90 DAYS OR LESS)	92
17.2	LONG TERM STORAGE (90 DAYS OR LONGER)	92
17.3	ENVIRONMENTAL STORAGE RECOMMENDATIONS (ARMORY)	93
17.4	TRANSPORTATION	93
18.0	SIG M400 PARTS DIAGRAMS	94
18.1	RIFLE PARTS DIAGRAM	94
18.2	BOLT CARRIER GROUP PARTS DIAGRAM	95
18.3	BARREL ASSEMBLY	96
19.0	REPLACEMENT PARTS POLICY	98
20.0	FACTORY REPAIR OF THE FIREARM	100
20.1	RETURNING FIREARMS FOR REPAIR	101
	SIG SAUER INFINITE GUARANTEE™	102

8.0 MECHANICAL CHARACTERISTICS AND RIFLE THEORY

8.1 RIFLE DESCRIPTION

The **SIG SAUER M400®**, known for its reliability, performance, and adaptability, is a direct impingement rifle with a rotary bolt mechanism. The rifle is chambered in 5.56x45mm NATO and is compatible with .223 Remington ammunition. Built on an AR-15 platform, the SIG M400 rifle family includes several models to meet the needs of any operator.

The **M400 TREAD V2®** features an engraved free-floating enhanced M-LOK handguard and a 6-position MAGPUL SL-K telescoping stock. The TREAD has a mid-length gas system offering smoother operation and reduced recoil, and the trigger has been upgraded to a SIG Matchlite 2-stage trigger.

The **M400 PRO®** is accurate, lightweight, and crafted from the finest components. The PRO comes preinstalled with a M-LOK handguard, 6-position buttstock with integral QD points, AMBI controls, an Enhanced SIG Trigger, and is equipped with a SIG Micro-light Gas Block.



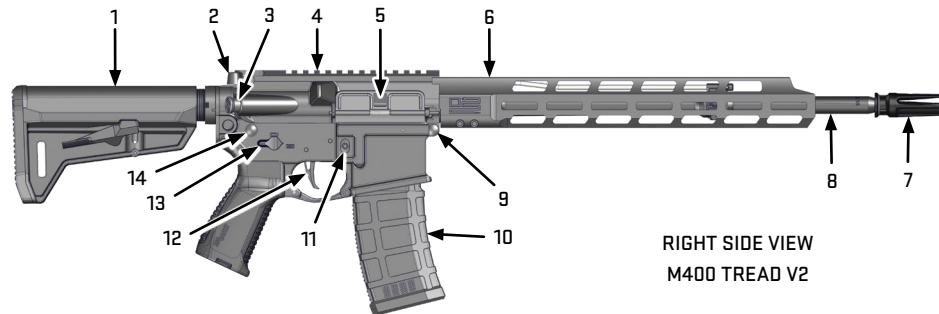
The **M400 SDI X**®, developed from the ground up by SIG SAUER Academy instructors to meet the highest standards of performance and reliability. The rifle is built with fully ambidextrous controls, delivering advanced performance for both left & right-handed shooters and making transitional shooting easier than ever.

The **M400 ROSE**® offers a supportive entry point for women new to the AR platform, combining thoughtful design with access to training and community and packaged with a host of engraved and rose-colored accessories.

Scan the QR code to visit sigsauer.com. There you will find additional information about SIG SAUER products, SIG SAUER Academy and Experience Center, special programs, and additional support.

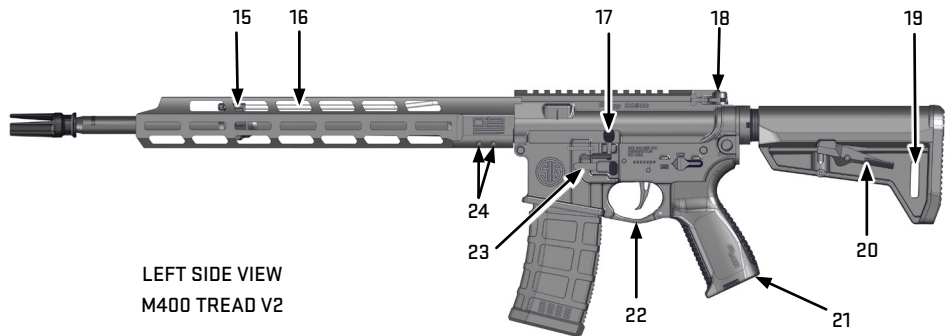


8.2 CONTROLS AND FEATURES



NUMBER	NOMENCLATURE
1	BUTTSTOCK
2	CHARGING HANDLE
3	FORWARD ASSIST
4	UPPER RECEIVER
5	EJECTION PORT COVER
6	M-LOK HANDGUARD
7	MUZZLE DEVICE

NUMBER	NOMENCLATURE
8	BARREL
9	PIVOT PIN
10	MAGAZINE
11	AMBIDEXTROUS MAGAZINE CATCH
12	TRIGGER
13	FIRE CONTROL SELECTOR
14	TAKEDOWN PIN



LEFT SIDE VIEW
M400 TREAD V2

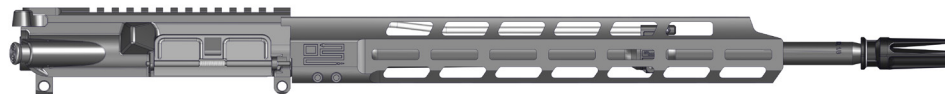
NUMBER	NOMENCLATURE
15	GAS BLOCK
16	GAS TUBE
17	BOLT CATCH
18	CHARGING HANDLE
19	SLING ATTACHMENT POINT

NUMBER	NOMENCLATURE
20	STOCK ADJUSTMENT LATCH
21	GRIP
22	TRIGGER GUARD
23	AMBIDEXTROUS MAGAZINE CATCH
24	HANDGUARD SCREWS

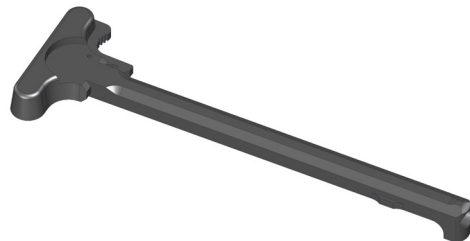
8.3 GROUPS AND ASSEMBLIES

8.3.1 UPPER RECEIVER GROUP

The SIG M400 upper receiver group consists of the following:



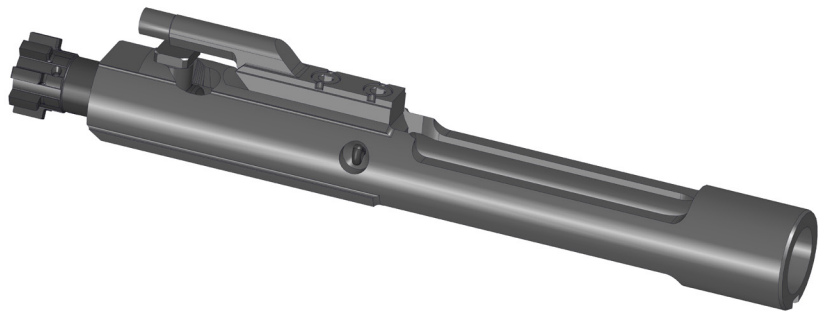
A. Charging Handle. See 19.0 SIG Sauer M400 Models on page 104 for different models.





B. Bolt Carrier Group

The bolt carrier assembly consists of the bolt carrier, bolt, extractor, gas key, cam pin, and firing pin retaining pin.



C. Barrel Assembly

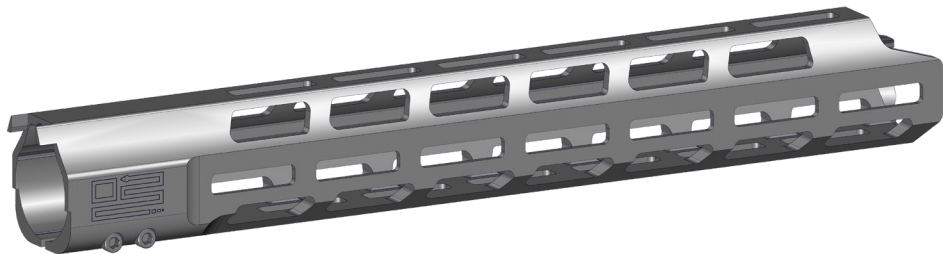
The SIG M400 upper receiver and barrel assembly includes the upper receiver, barrel nut, barrel, gas block, gas tube, forward assist, deflector, MIL-STD 1913 rail, ejection port cover, and the flash hider.





D. Handguard Assembly

The engraved SIG M400 TREAD V2 handguard features an multiple M-LOK attachment points for mounting M-LOK accessories. The SIG M400 series has a variety of handguards with M-LOK and Picatinny mounting options. These handguards are not removable at the operator level. See *19.0 SIG Sauer M400 Models on page 104.*



8.3.2 LOWER RECEIVER GROUP

The M400 TREAD V2 Lower Receiver Group consists of the following assemblies: lower receiver assembly with fire control components and trigger housing group, buttstock assembly, and grip assembly. For other models, see *19.0 SIG Sauer M400 Models on page 104.*





8.4 CYCLE OF FUNCTION

There are eight steps in the cycle of function of the SIG M400 that begin after a loaded magazine is inserted into the firearm.

FEEDING

As the bolt carrier is released from its rearward position, the operating group moves forward, allowing the lower lugs of the bolt to contact the rear of the cartridge as it sits in the magazine. The cartridge is stripped from the magazine and begins moving forward toward the chamber.

CHAMBERING

As the bolt moves forward, the bolt locking lugs move into the barrel extension. The ejectors are then compressed against the left side of the cartridge head and the extractor snaps over the rim of the cartridge case.

LOCKING

The chamber stops the movement of the bolt and the cartridge. The operating group continues to move forward until it is stopped by contact with the rear face of the barrel extension. As the operating group finishes moving forward, the bolt is rotated counterclockwise by the cam pin. This engages the bolt lugs with the barrel extension lugs to lock the bolt into the barrel extension.

FIRING

The safety selector lever is rotated to the SEMI position. The trigger is pulled and the hammer is released. The hammer spring drives the hammer forward, striking the firing pin. The firing pin strikes the cartridge primer, causing detonation.

UNLOCKING

As the bullet passes the gas port in the barrel, a small amount of gas is bled off, traveling up through the gas port and into the gas block. The gas travels through the gas tube to the gas key of the bolt carrier. This gas then begins the rearward movement of the operating group, causing the cam pin to rotate the bolt to the unlocked position.

EXTRACTION

As the bolt carrier assembly moves rearward the spent case is pulled free from the chamber by the extractor.

EJECTION

The extractor continues to grip the right side of the rim of the spent case and the ejectors apply forward pressure to the left side. As the expended case clears the chamber, then the barrel extension, it is flipped out through the ejector port on the right side of the receiver.

COCKING

The rearward movement of the operating group overrides the hammer, forcing it down into the receiver and compressing the hammer spring, cocking the hammer into the firing position.



9.0 OPERATING THE SIG M400

9.1 PREPARATION BEFORE USING THE FIREARM



WARNING



PRIOR TO PERFORMING ANY MAINTENANCE ON THE FIREARM, READ AND UNDERSTAND THE OPERATOR'S MANUAL. ENSURE THAT THE FIREARM IS UNLOADED, CLEARED, AND THE MAGAZINE IS REMOVED. SAFETY GLASSES SHOULD BE WORN WHENEVER DISASSEMBLING, CLEANING, INSPECTING, OR ASSEMBLING A FIREARM. FAILURE TO COMPLY MAY RESULT IN SERIOUS INJURY OR DEATH TO THE USER OR BYSTANDERS.

Prior to using the firearm, the operator must read, understand, and follow all safety warnings in the Safety Warnings Manual included with the firearm.

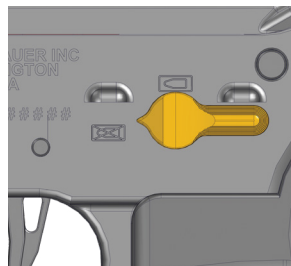
- Field strip the firearm. See *10.1 Field Strip The SIG M400 on page 47*.
- Clean any fouling that might have occurred during factory testing. See *11.1 Cleaning on page 59*.
- Inspect, lubricate, and reassemble the firearm. See *12.0 Assembly on page 68*.
- After reassembly and prior to firing the rifle, conduct a function check. See *13.0 Function Check on page 81*.

Any maintenance beyond the user level described in this manual must be performed by a certified SIG SAUER Armorer specifically trained on the maintenance of the M400.

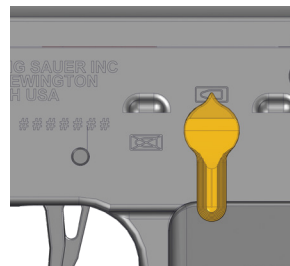
9.2 SAFETY SELECTOR

The SIG M400 features an ambidextrous safety selector. Rotating either safety selector 90 degrees changes the firing mode.

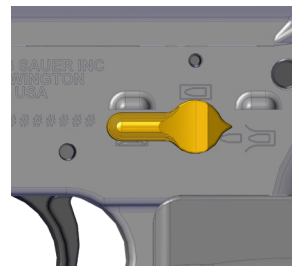
- The SAFE position prevents the firearm from firing by blocking the action of the trigger. The safety selector can only be rotated to SAFE when the hammer is cocked.
- The SEMI position is for the semi-automatic mode and allows the firing of one round each time the trigger is pressed rearward.
- PRO models may be equipped with AUTO position that allows continuous firing when the trigger is held to the rear.



SAFE



SEMI



AUTO
(M400 PRO ONLY)



9.3 UNLOAD AND CLEAR THE RIFLE



WARNING UNLOAD/CLEAR

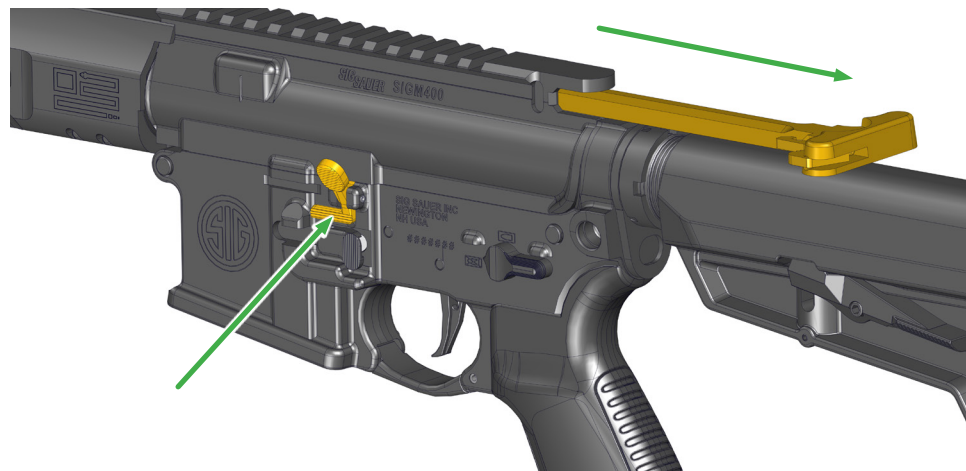


FAILURE TO ENSURE THE FIREARM IS UNLOADED AND CLEARED COULD RESULT IN UNINTENTIONAL DISCHARGE, CAUSING SERIOUS INJURY, DEATH, OR PROPERTY DAMAGE. REMOVING THE MAGAZINE FROM THE FIREARM DOES NOT PREVENT A CHAMBERED ROUND FROM BEING FIRED.

1. Ensure the safety selector lever is rotated to SAFE and the muzzle of the rifle is pointed in a safe direction at all times while unloading and clearing the firearm.
2. Press the magazine catch on either side to remove the magazine from the rifle.



3. Fully retract the charging handle and lock the operating group to the rear by pressing and holding the lower section of the bolt catch lever on the left side.





4. Watch the ejection port on the right side for the ejection of a cartridge case or a live cartridge.

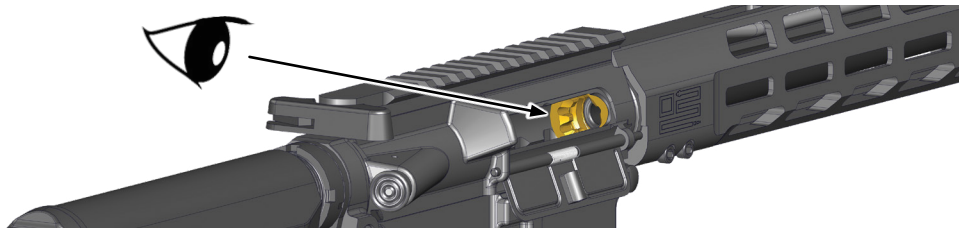


5. Ensure the bolt carrier group remains locked to the rear and return the charging handle to its forward and locked position.

**WARNING INSPECTION**

THE OPERATING GROUP IS UNDER SPRING TENSION AND WILL FALL FORWARD IF THE BOLT CATCH IS PUSHED IN OR PRESSED DOWN. DO NOT ALLOW THE BOLT CATCH TO BE PRESSED WHILE INSPECTING THE RIFLE. AFTER FIRING, THE CHAMBER OF THE RIFLE COULD POTENTIALLY BE HOT. WHEN PHYSICALLY INSPECTING THE CHAMBER, USE A PEN OR SIMILAR OBJECT IF THE CHAMBER IS HOT. FAILURE TO COMPLY MAY RESULT IN INJURY.

6. Visually and physically inspect the chamber, bolt face, and magazine well to ensure that the rifle is clear of live rounds, spent cartridges, and debris.
7. If passing the rifle to another person, ensure the safety selector lever is on SAFE and the bolt is locked to the rear. Allow them to inspect the chamber before handing over the firearm.





9.4 ADVERSE/SPECIAL ENVIRONMENTAL CONDITIONS

Arctic (Extreme Cold/Sub Freezing)

- When operating in sub-freezing temperatures, use a lubricant designed for this climate. Do not use CLP in temperatures below -10°F (-23°C) as it can prevent the firearm from firing. Ensure all existing lubricants are thoroughly removed prior to applying cold-weather lubricant.
- Remove O-ring from the extractor spring when in temperatures below -20°F (-29°C).
- Avoid bringing firearm into heated shelters or buildings to prevent condensation from forming on moving parts which will freeze when the firearm is brought back outdoors.
- If you must bring the firearm indoors, allow it to warm to room temperature and then disassemble and clean thoroughly. Ensure that all moisture is removed from the firearm and relubricate the firearm.
- When operating in snowy environments, conduct frequent inspections of the firearm to ensure that snow has not gotten into operating parts. Work the action periodically to ensure that it is not frozen. Use muzzle covers if available.
- If the operating group freezes from snow or moisture, DO NOT discharge the firearm to free the carriage. Warm the firearm using body heat or bring indoors until free movement is restored, and then clean and re-lubricate the firearm.

Desert (Hot/Dry)

- Apply light lubrication to internal metal-on-metal moving parts only. If available, use dry graphite lubricant.
- Because of blowing dust and sand, increase frequency of inspection and cleaning of firearm. Pay particular attention to the bolt assembly.
- Use muzzle covers if available.
- Unload and clean ammunition and inside of magazines daily. Do not lubricate magazine.
- Cover the firearm and close the ejection port when not in use.

Jungle (Hot/Humid)

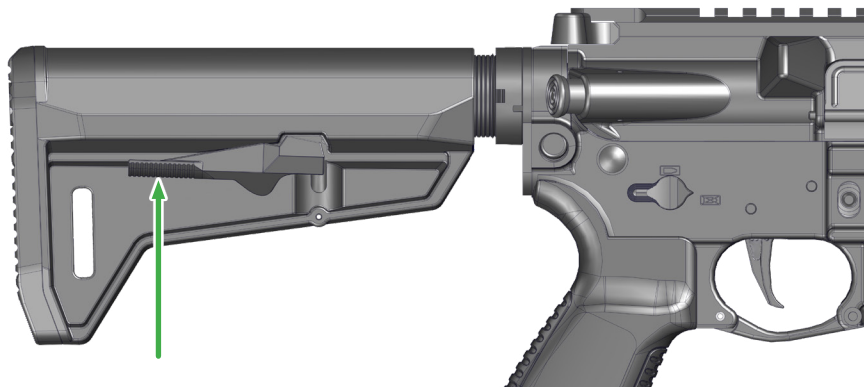
- Inspect and clean the firearm frequently to prevent rust and corrosion.
- Apply a thin coat of lubricant on steel parts frequently.
- Inspect all surfaces of the operating group, upper receiver, chamber, and barrel extension for corrosion.
- Inspect the lower receiver and fire control components for corrosion.
- Inspect and lubricate the spring-loaded detents of the firearm.
- Unload the magazine, clean ammunition, and inspect the inside of magazines daily for corrosion.
- Wipe the ammunition dry before reloading the magazine.



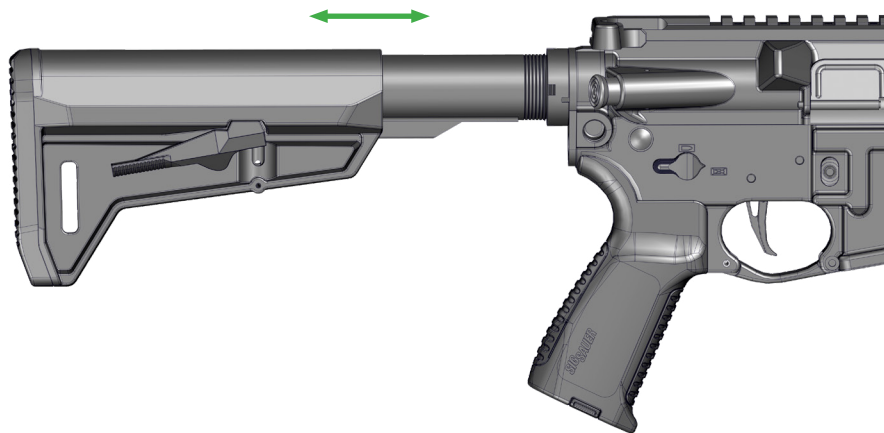
9.5 BUTTSTOCK ADJUSTMENT

The SIG M400 features a 6 position telescoping stock to accommodate different lengths of pull.

1. To adjust the stock, press the stock latch and slide the stock to the desired position and release the latch.



2. Once the stock is positioned, attempt to push the stock back and forth to ensure the stock latch is engaged.





9.6 LOADING/RELOADING

9.6.1 LOADING THE MAGAZINE

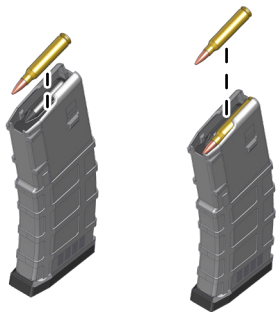
CAUTION

ENSURE THE MAGAZINE IS THE PROPER TYPE AND CALIBER FOR THE RIFLE.

NOTE

Do not overload the magazine.

1. Place a cartridge between the feed lips and press down. Ensure the projectile is facing the front of the magazine and the cartridge is fully seated to the rear.
2. Place the next cartridge between the previous one and the feed lips then press down.
3. Repeat until the magazine is full or the desired number of rounds has been loaded.



9.6.2 LOADING RIFLE (BOLT LOCKED TO THE REAR)



WARNING BARREL

BEFORE LOADING, ALWAYS CLEAN ALL GREASE AND OIL FROM THE BORE AND CHAMBER AND VERIFY THAT NO OBSTRUCTION IS IN THE BARREL. ANY FOREIGN MATTER IN THE BARREL COULD RESULT IN A BULGED OR BURST BARREL OR OTHER DAMAGE TO THE FIREARM AND COULD CAUSE SERIOUS INJURY.

1. Ensure the safety selector is rotated to SAFE and the muzzle is pointed in a safe direction.
2. Lock the bolt to the rear.
3. Return the charging handle to the forward locked position.
4. Visually and physically inspect the chamber, bolt face, and magazine well to ensure it is clear of ammunition.
5. Insert a loaded magazine until it engages with the magazine catch. There should be a light click. Pull down to ensure the magazine is seated properly.
6. Press inward on the top of the bolt catch to release the operating group.



WARNING LOADED FIREARM



THE RIFLE IS NOW LOADED AND READY TO FIRE

7. If the firearm is not to be fired immediately, close the ejection port cover.



9.6.3 LOADING RIFLE (BOLT FORWARD)

1. Ensure the safety selector is rotated to SAFE.
2. Insert a loaded magazine until it engages the magazine catch. There should be a light click. Pull down to ensure the magazine is locked in place.
3. Pull the charging handle completely to the rear.
4. Release the charging handle. Allow it to go forward under full spring pressure. Do not ride the charging handle forward. Failure to do so may cause a stoppage.

9.6.4 RELOADING RIFLE (EXPENDED MAGAZINE, BOLT LOCKED TO THE REAR)

1. Rotate the safety selector lever to SAFE.
2. Press the magazine catch from either the left or right side. The empty magazine should fall from the magazine well.
3. Insert a loaded magazine until it engages the magazine catch. There should be a light click. Pull down to ensure the magazine is locked in place.
4. Press the top of the bolt catch to release the operating group. The bolt will strip a live cartridge from the magazine and chamber it.

9.6.5 RELOADING RIFLE (PARTIAL MAGAZINE, BOLT FORWARD, ROUND CHAMBERED)

1. Rotate the fire control selector to SAFE.
2. Grasp the magazine with the support hand and press the magazine catch from either the left or right side.
3. Remove the partially loaded magazine.
4. Insert a loaded magazine until it engages the magazine catch. There should be a light click. Pull down to ensure the magazine is seated properly.



9.7 FIRING



WARNING LOADED FIREARM



BEFORE PROCEEDING, REFER TO THE FIRING SECTION OF THE SAFETY WARNINGS MANUAL

1. Ensure that the safety selector is rotated to SAFE.
2. Adjust the buttstock if not already done. See *9.5 Buttstock Adjustment on page 40*.
3. Keep the rifle aimed at the target or downrange.
4. Follow steps 1 through 6 of *9.6.2 Loading Rifle (Bolt Locked to the Rear) on page 43*.
5. Rotate the safety selector lever to SEMI, or if using PRO model, rotate to either SEMI or AUTO.
6. Pull the trigger to fire.
7. To fire another round, release the trigger. After the trigger resets, pull to fire again.
8. When finished, place on SAFE, and unload and clear the rifle. See *9.3 Unload and Clear the Rifle on page 34*.

10.0 OPERATOR LEVEL AUTHORIZED PREVENTIVE MAINTENANCE

10.1 FIELD STRIP THE SIG M400



WARNING UNLOAD/CLEAR



FAILURE TO ENSURE THE FIREARM IS UNLOADED AND CLEARED COULD RESULT IN UNINTENTIONAL DISCHARGE, CAUSING SERIOUS INJURY, DEATH, OR PROPERTY DAMAGE. REMOVING THE MAGAZINE FROM THE FIREARM DOES NOT PREVENT A CHAMBERED ROUND FROM BEING FIRED.

1. Unload and clear the rifle. See *9.3 Unload and Clear the Rifle on page 34*.
2. Press the bolt catch to release the operating group forward.
3. Push out the takedown pin from left to right.





4. Pivot the receivers apart.

5. Pull the charging handle and the bolt carrier group out until they stop.



6. Remove the bolt carrier group from the charging handle recess.





7. Pull the charging handle down and out of the recesses in the upper receiver.



8. Pull out the pivot pin.

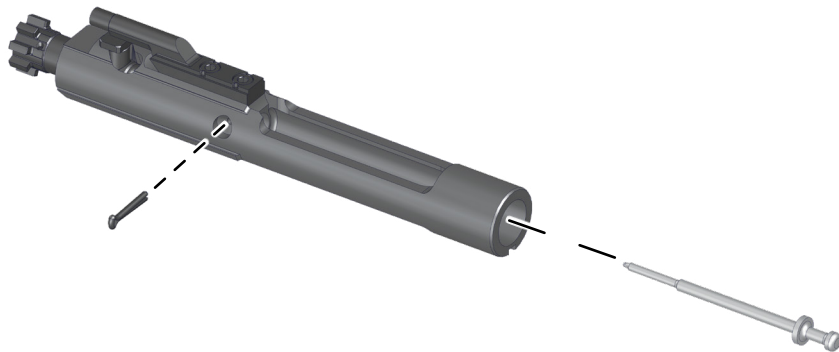




9. Separate receivers

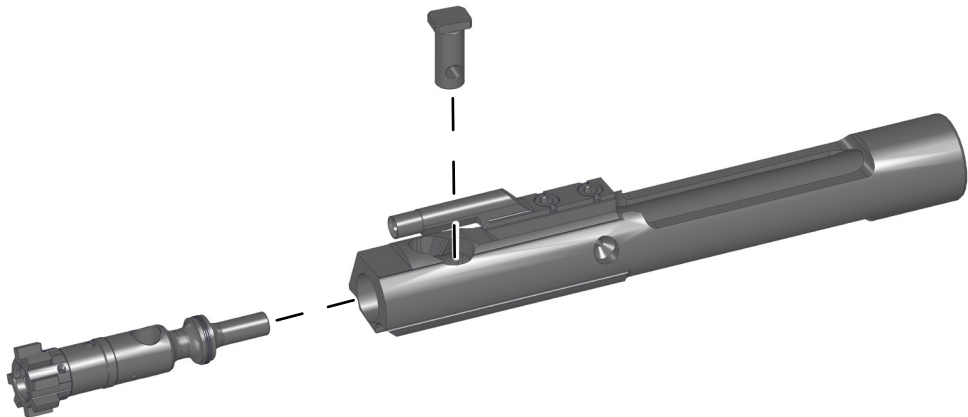


- 10. From the bolt carrier group, pull out the firing pin retaining pin out and slide the firing pin out.
- 11. Remove the firing pin from out of the carrier.





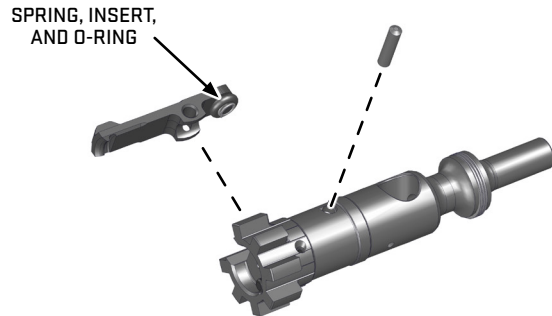
12. Rotate and pull the cam pin from the bolt and remove the bolt from the front of the carrier.



13. Push the extractor pin out and remove the extractor from the bolt.

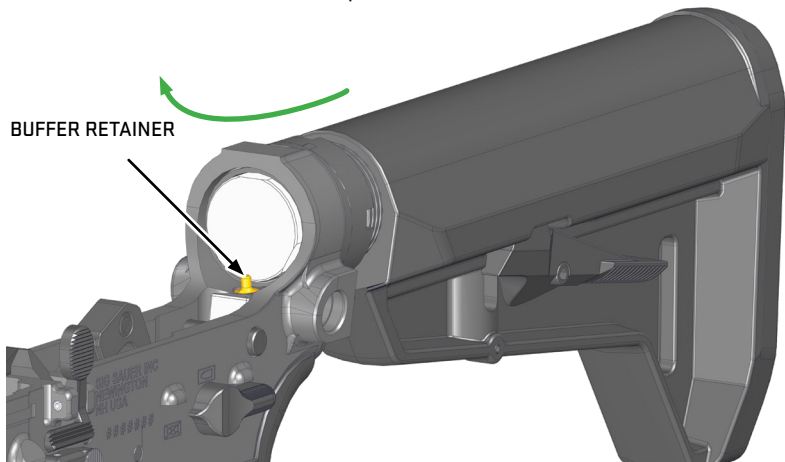
CAUTION

DO NOT REMOVE SPRING OR INSERT UNLESS DAMAGED.
ONLY REMOVE O-RING IF DAMAGED OR OPERATING BELOW -20°F (-29°C).

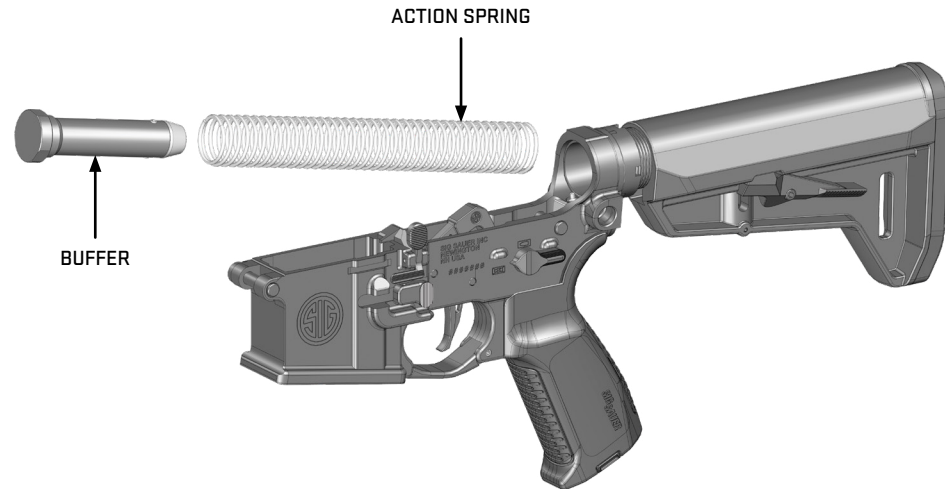




14. Push down on buffer retainer while maintaining pressure on the buffer and allowing it to slide out of the buffer tube. The action spring is compressed in the buffer tube and will spring forward with the buffer when the retainer is compressed.



15. Completely pull out the buffer assembly and separate the buffer from the action spring.





11.0 CLEANING AND LUBRICATION



WARNING CLEANING



READ AND FOLLOW THE MANUFACTURER'S WARNINGS BEFORE USING SOLVENTS OR CLEANERS. USE IN A WELL-VENTILATED AREA. WEAR EYE PROTECTION.

- Use only cleaning and lubrication products designed for firearms.
- In this manual, the terms CLP (Cleaner, Lubricant, Preservative), lube, or lubricant are interchangeable and can be understood as any lubricant designed for firearms.
- Do not use wire brushes on aluminum surfaces such as the upper and lower receivers. This may damage the finish.
- Follow all manufacturer's instructions and cautions when using cleaning and lubrication products.

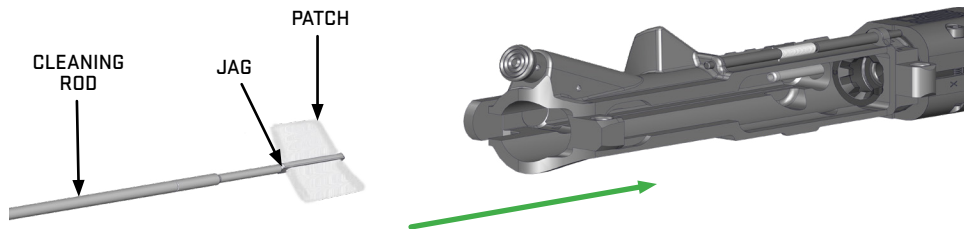
11.1 CLEANING

11.1.1 CLEANING THE BORE AND CHAMBER

CAUTION

Cleaning rods, if used improperly or are misshapen, can cause damage to the barrel, chamber, or bore of the SIG M400. If equipped, remove any suppressor before cleaning.

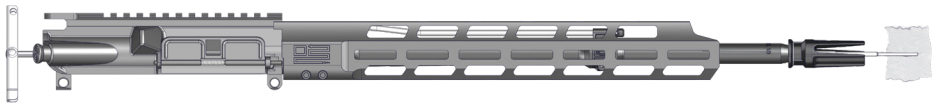
1. Attach a jag to the cleaning rod.
2. Attach a clean patch to the jag.
3. Moisten the patch with CLP and slowly push it through the bore toward the muzzle end.



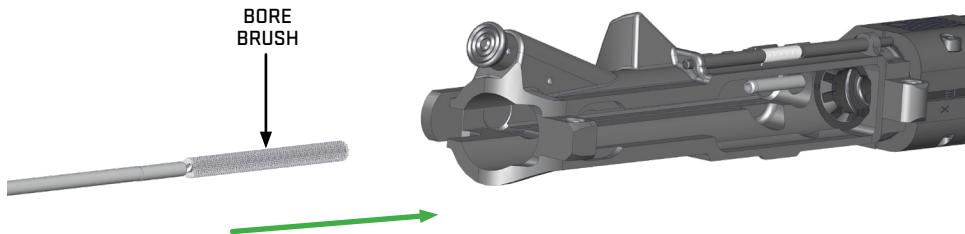
4. Allow the CLP to stay in the barrel for several minutes to loosen any fouling.



5. Attach a new clean patch to the cleaning rod.
6. Coat the patch as before and push it through the bore.

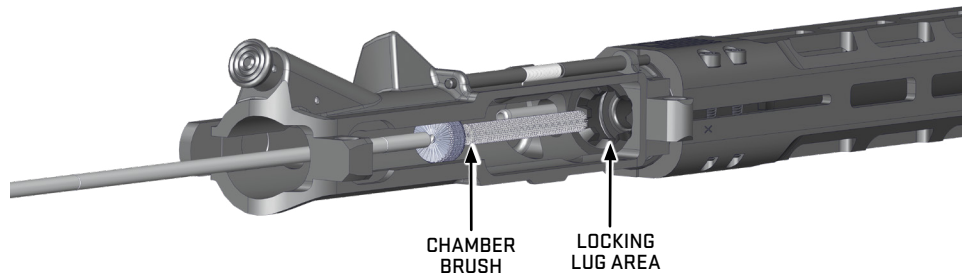


7. If there is heavy fouling, use a bore brush to scrub the bore.



8. Push a patch with CLP through the bore to remove any residue loosened by the bore brush.

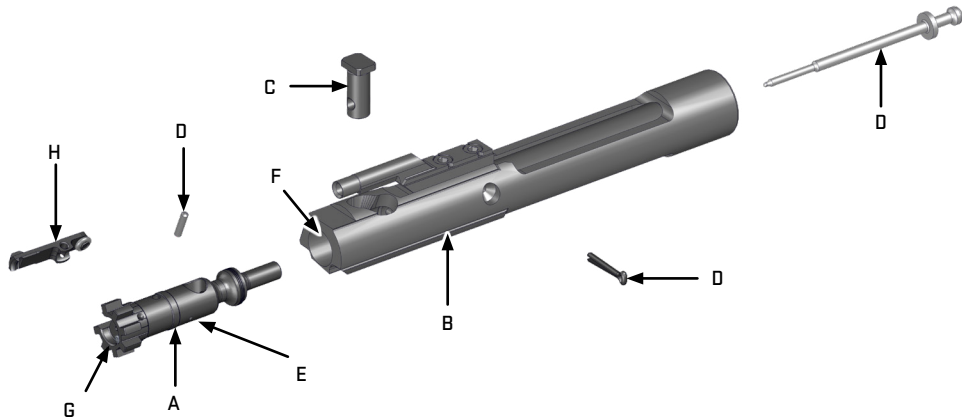
9. Push new patches through the bore until they come out clean.
10. Grab a chamber brush and coat it with CLP.
11. Keep the muzzle elevated so the CLP does not run into the freshly cleaned bore.
12. Make several plunging strokes followed by several 360-degree rotations in the barrel extension to clean the locking lug area.





11.1.2 CLEANING THE BOLT CARRIER GROUP

- A. Clean the bolt
- B. Wipe down the bolt carrier body.
- C. Clean the cam pin of carbon buildup.
- D. Wipe down the firing pin, fire pin retaining pin, and extractor pin .
- E. Clean the bolt body with solvent.
- F. Clean the bolt channel of any carbon buildup.
- G. Clean any carbon from bolt lugs.
- H. Clean the hood of extractor.





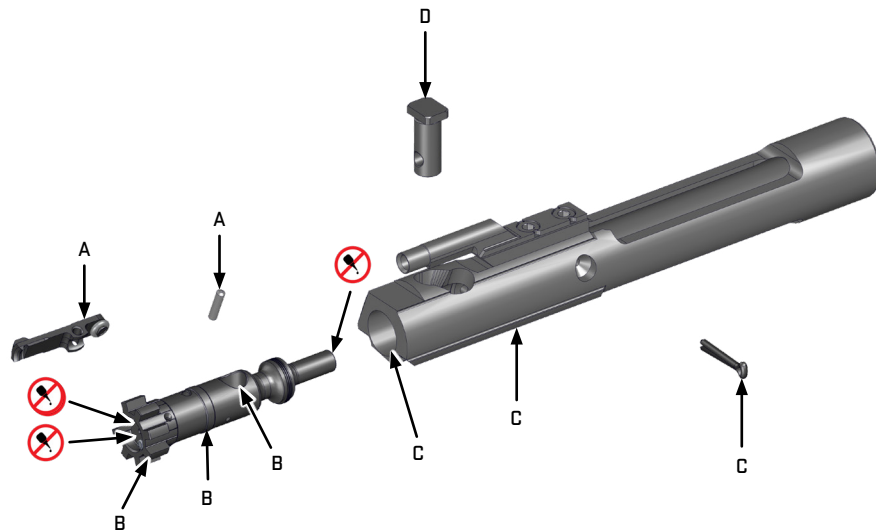
11.2 LUBRICATION

11.2.1 OPERATING GROUP AND GAS BLOCK

CAUTION

DO NOT APPLY LUBRICANT IN THE FACE OF THE BOLT OR FIRING PIN CHANNEL OF THE BOLT. DO NOT APPLY LUBRICANT TO THE EXTRACTOR SLOT. FAILURE TO COMPLY MAY RESULT IN A STOPPAGE.

- A. Apply 1 to 2 drops of lubricant to the extractor spring and extractor pin.
- B. Apply a light coat of lubricant to the back of bolt lugs, bolt body, and cam pin hole.
- C. Apply a light coat of lubricant to the bolt carrier contact surfaces.
- D. Apply 1 to 2 drops of lubricant to the cam pin.





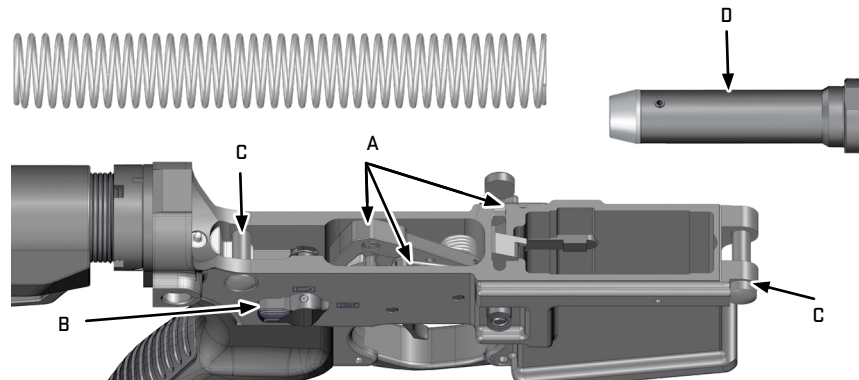
11.2.2 UPPER RECEIVER

- A. Apply a thin film of lubricant to the inside of the upper receiver to the surfaces where the operating group makes contact.
- B. Apply a thin film of lubricant to the sides of the charging handle.
- C. Apply 1 to 2 drops of lubricant to the charging handle latches.



11.2.3 LOWER RECEIVER

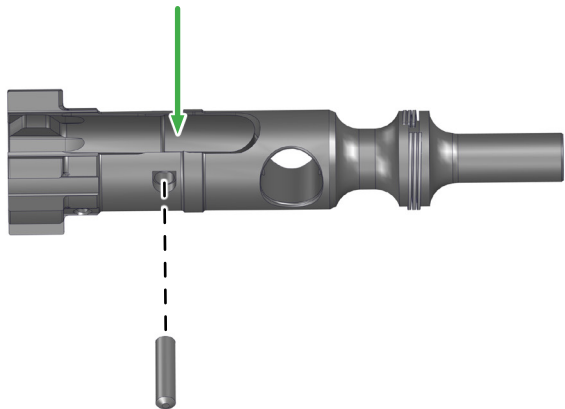
- A. Apply 1 to 2 drops of lubricant to the hammer, trigger, and bolt catch where these parts contact their respective pins.
- B. Apply 1 to 2 drops of lubricant to the selector where it contacts the lower receiver.
- C. Apply 1 to 2 drops of lubricant to pivot and takedown pins.
- D. Apply a thin film of lubricant to the action spring and buffer.



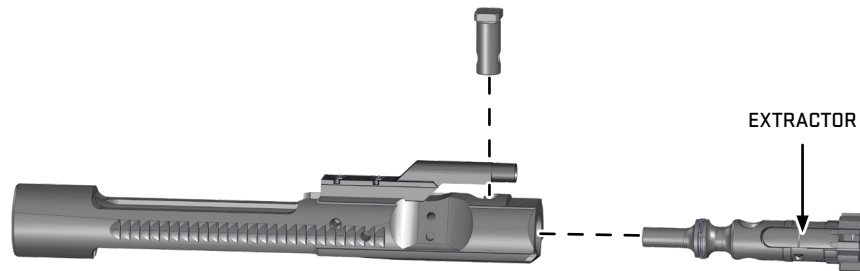


12.0 ASSEMBLY

1. Assemble the extractor to the bolt and hold it in place.
2. Install the extractor pin. The extractor pin should be flush with the bolt.



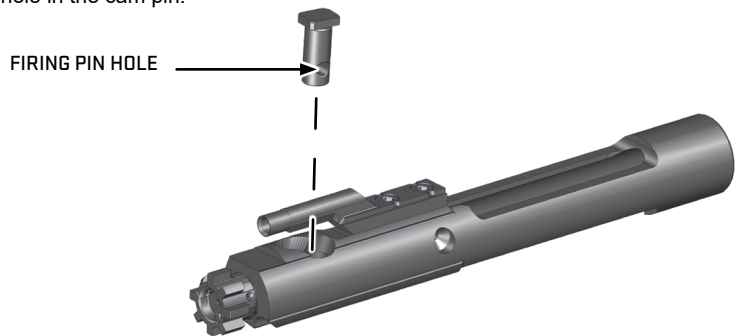
3. Insert the bolt into the bolt carrier with the extractor facing the outside of the bolt carrier following the orientation below.



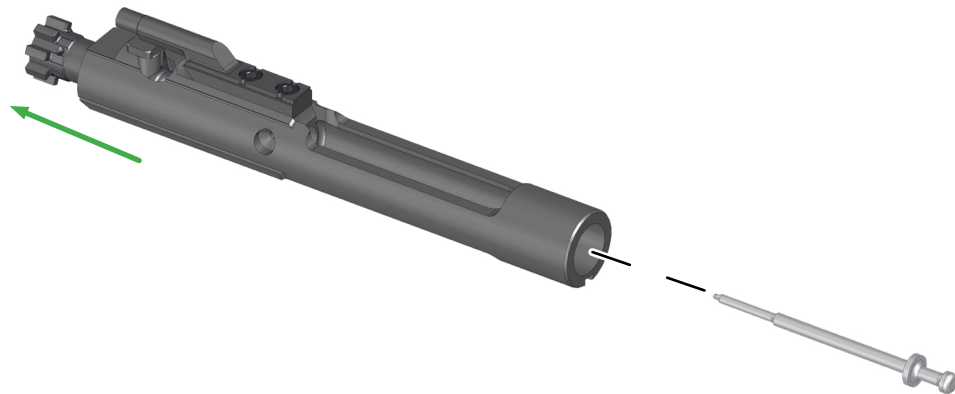
**WARNING CAM PIN**

FAILURE TO INSTALL CAM PIN MAY RESULT IN INJURY OR DEATH TO THE USER AND CATASTROPHIC DAMAGE TO THE FIREARM.

4. Adjust the bolt forward so the bolt's cam pin hole aligns with the bolt carrier's cam path.
5. Install the cam pin through the bolt carrier and into the bolt. Ensure the firing pin hole in the cam pin is aligned parallel with the bolt and the bolt carrier group so the firing pin can travel through the hole in the cam pin.

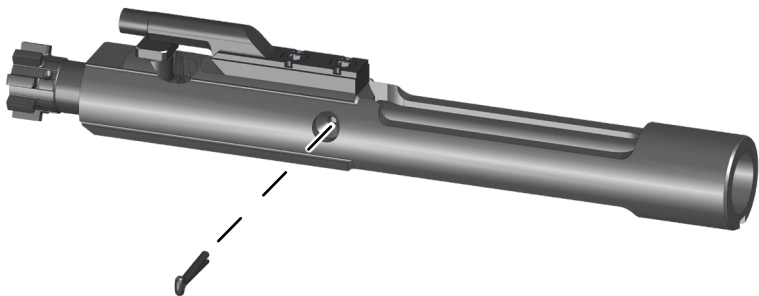


6. Pull the bolt out to its unlocked, rearward, position and ensure the cam pin is rotated so the firing pin can travel through the firing pin hole.
7. Insert the firing pin through the rear of the bolt carrier, seating it completely forward against the bolt.

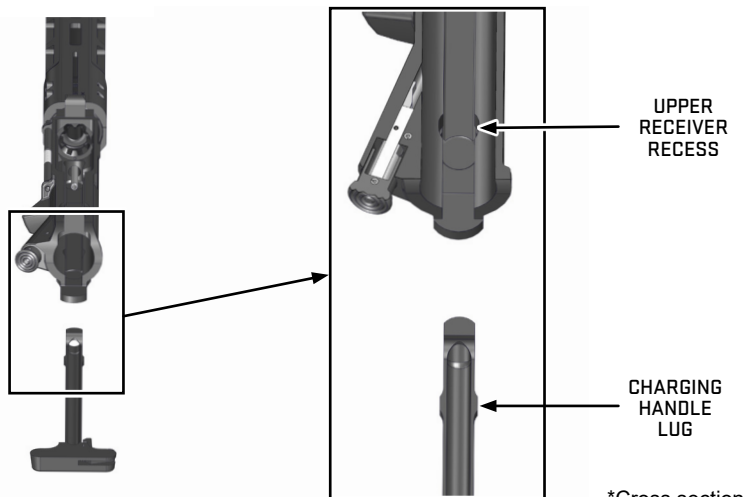




8. While applying pressure on the firing pin, insert the firing pin retaining pin from the left side of the bolt carrier. Ensure the retaining pin is positioned between the head of the firing pin and the large flange. If this has been done correctly, the firing pin should not fall out when the bolt carrier group is turned over.

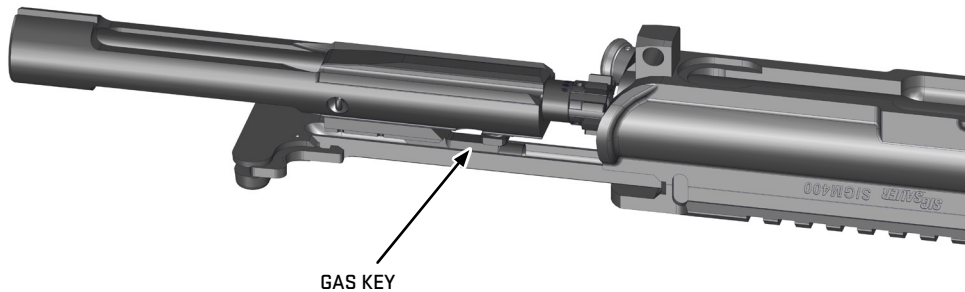


9. Rotate the upper receiver upside down. Insert the charging handle into the upper receiver. Ensure notches on charging handle are placed through the recesses in the upper receiver.

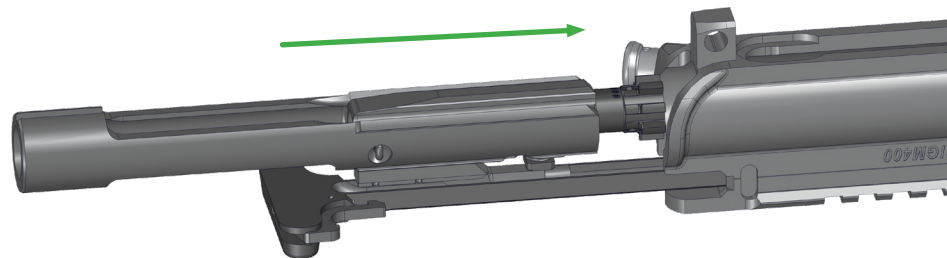




10. Place the gas key on the bolt carrier into the charging handle recess.

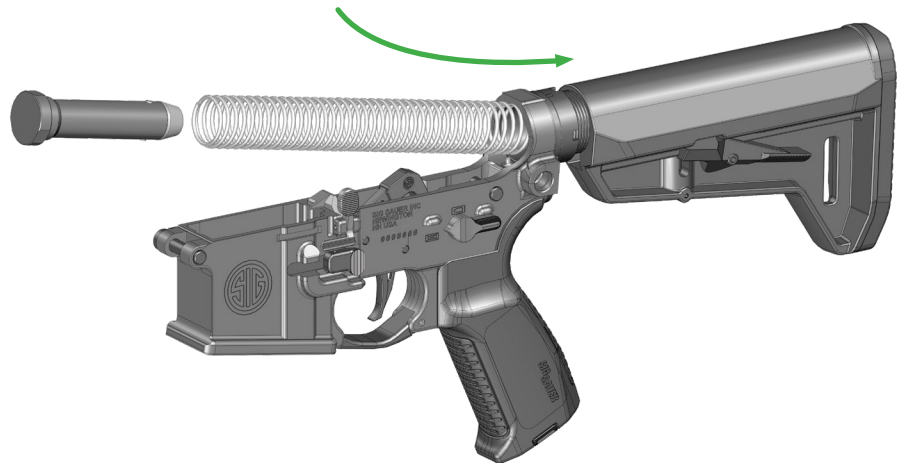


11. Push the bolt carrier group and charging handle completely forward until they lock into place.

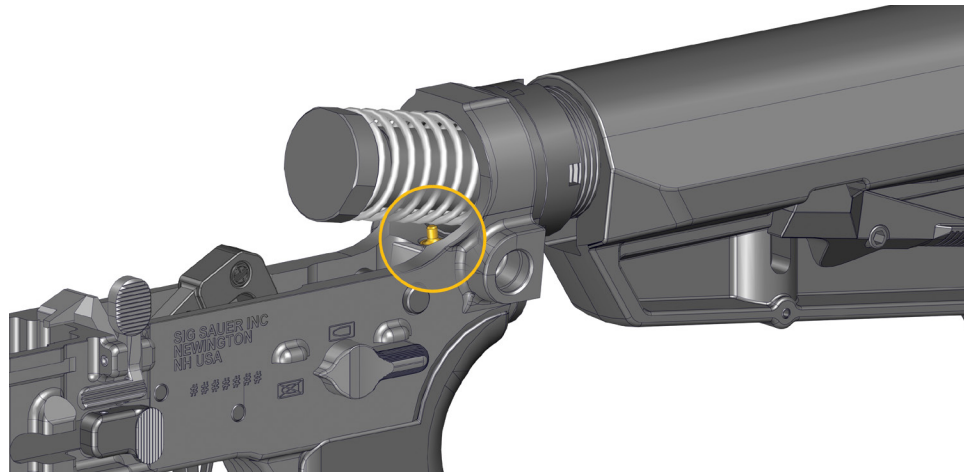




12. Slide the recoil buffer into the action spring and turn the spring around the buffer until it snaps into place by twisting clockwise and pushing the spring onto the buffer.
13. Insert the recoil spring and buffer.

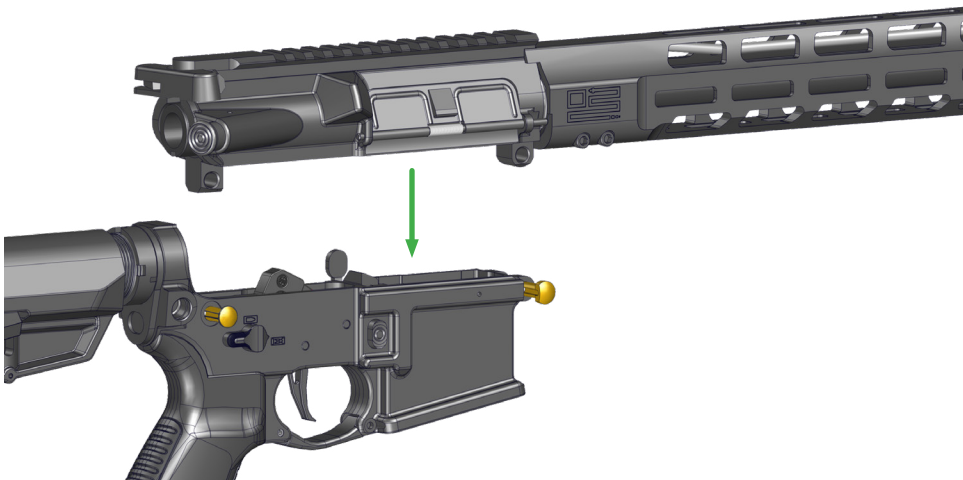


14. Press down the buffer retainer and ensure the buffer and spring lock behind the retaining pin.





15. Place the receivers together. Ensure both the takedown and pivot pin are extended.



16. Push in the pivot pin from right to left until it locks into place.





17. Push in the takedown pin from right to left until it locks into place.



13.0 FUNCTION CHECK

A function check should be performed after any repair, cleaning, or reassembly to ensure the firearm operates properly.



WARNING UNLOAD/CLEAR



FAILURE TO ENSURE THE FIREARM IS UNLOADED AND CLEARED COULD RESULT IN UNINTENTIONAL DISCHARGE, CAUSING SERIOUS INJURY, DEATH, OR PROPERTY DAMAGE.



WARNING FUNCTION CHECK

KEEP THE FIREARM POINTED IN A SAFE DIRECTION DURING THE ENTIRE FUNCTION CHECK. IF THE FIREARM FAILS TO COMPLETE THE FUNCTION CHECK, DO NOT USE THE FIREARM. CONTACT CUSTOMER SERVICE.

1. Ensure the firearm is unloaded and clear of ammunition. See 9.3 *Unload and Clear the Rifle* on page 34
2. Ensure the fire control selector is rotated to SAFE.
3. Insert an unloaded magazine into the magazine well and pull down to ensure it is fully seated.
4. Pull the charging handle to the rear until the bolt locks open. Lock the charging handle forward.



5. Press the magazine catch. The magazine should fall from the magazine well.
6. Pull the charging handle to the rear and release. After releasing, the bolt catch must drop while the bolt moves forward.
7. With the muzzle pointed in a safe direction and with the safety selector on SAFE, pull the trigger to rear. Nothing should happen.
8. Rotate the safety selector lever to SEMI.
9. Press and hold the trigger. Hammer should fall with a loud click. Do not release trigger.
10. While continuing to hold the trigger, fully retract the charging handle to cock the firearm. Lock the charging handle forward.
11. Slowly release the trigger. The trigger should reset with a light click.
- 12. If operating the M400 PRO and if equipped, rotate the selector to AUTO (if not applicable, skip to step 17).**
13. Press the trigger and hold it to the rear. You should hear a loud click as the hammer falls.
14. With the trigger pressed to the rear, pull the charging handle to the rear and ease it fully forward. A loud click should be heard at the end of the travel.
15. Release the trigger. No click should be heard as the hammer is the upward, decocked position.

16. Rotate selector from AUTO to SEMI and pull the charging handle to the rear. The hammer should now be cocked.
17. Retest SAFE by rotating the safety selector to SAFE and pulling the trigger. Nothing should happen.
18. Retract the charging handle and press up on the bolt catch lever to lock the bolt to the rear. Lock the charging handle forward.

CAUTION

NEVER USE A FIREARM OR MAGAZINE THAT SHOWS SIGNS OF DAMAGE OR FAILS A FUNCTION CHECK. VERIFY THE MAGAZINE IS THE CORRECT MODEL AND CALIBER FOR THE RIFLE. IF THE CONDITION OR FUNCTION OF THE RIFLE OR MAGAZINE IS SUSPECT, RETURN THE RIFLE OR MAGAZINE TO SIG SAUER FOR EVALUATION. ALWAYS VERIFY THE CONDITION AND FUNCTION OF THE EQUIPMENT BEFORE USE.



THIS PAGE INTENTIONALLY LEFT BLANK

14.0 MAGAZINE MAINTENANCE



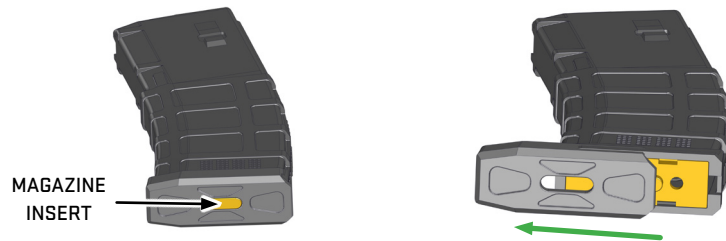
WARNING PARTS UNDER SPRING TENSION



MAGAZINES CONTAIN SEVERAL SPRING-LOADED PARTS. WEAR EYE PROTECTION AND MAINTAIN CONTROL DURING MAINTENANCE. FAILURE TO COMPLY MAY RESULT IN INJURY.

14.1 DISASSEMBLE MAGAZINE

1. Push in on the magazine insert through the opening in the baseplate and slide the baseplate off of the magazine tube. While removing the baseplate, press down on the insert to control the spring.

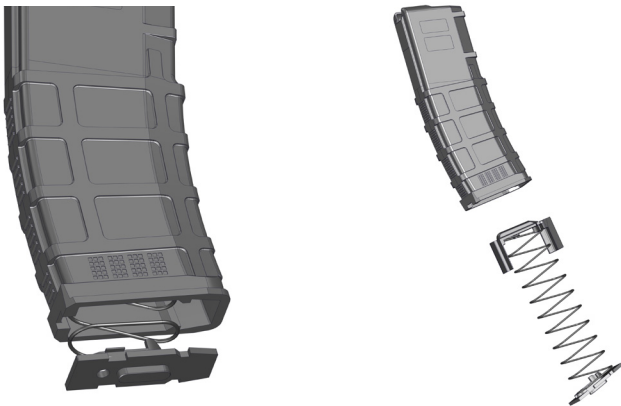




NOTE

The magazine spring will be attached to the insert and follower. Do NOT remove these components from the spring during operator level maintenance.

2. Remove the insert, magazine spring, and follower from the magazine tube.

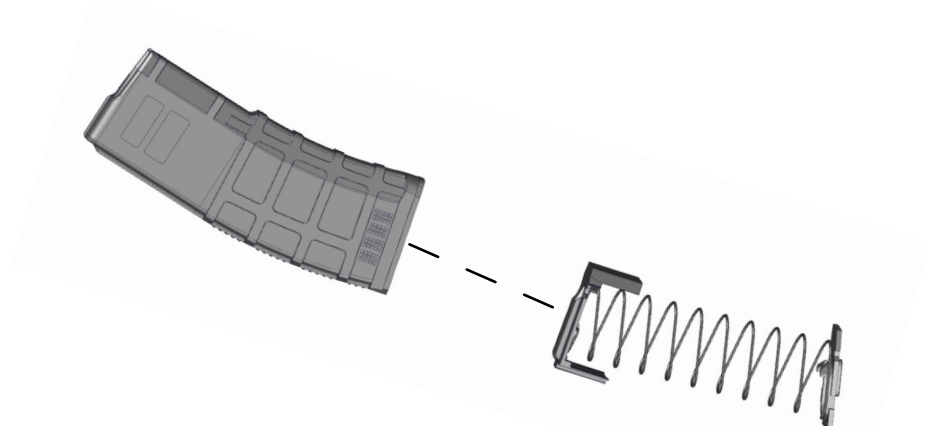


14.2 CLEANING

Wipe all parts with a cloth moistened with CLP to remove any buildup or debris then wipe dry.

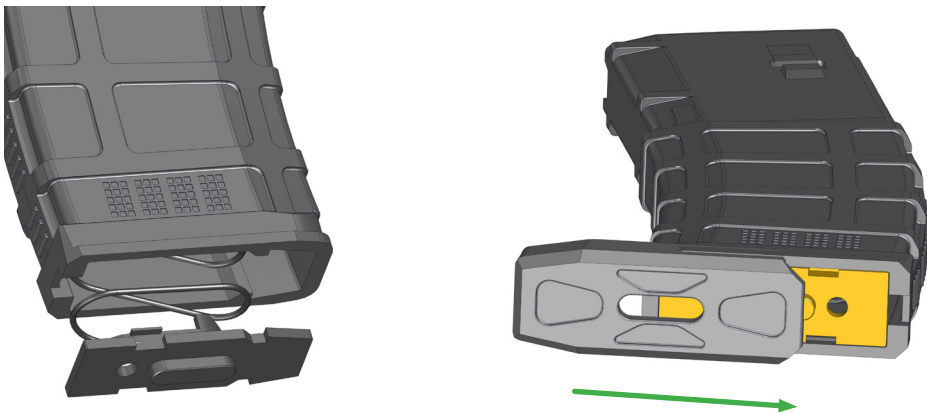
14.3 ASSEMBLY

1. Install the magazine follower, spring, and insert into the magazine tube.





2. Compress the spring by pushing the insert into the magazine tube.
3. Slide the base plate onto the magazine tube until the insert snaps into place.



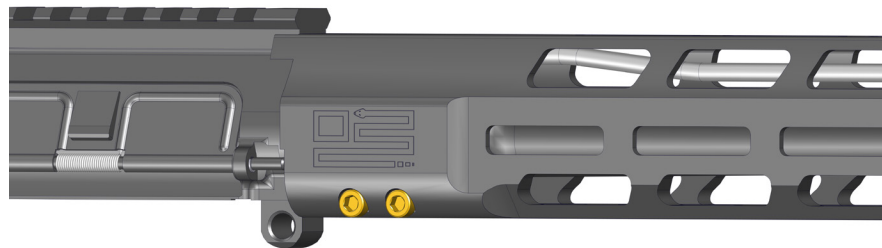
15.0 HANDGUARD

15.1 HANDGUARD REMOVAL

NOTE

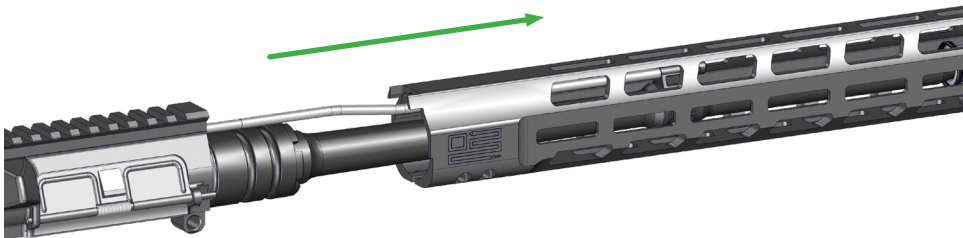
THE M400 PRO'S HANDGUARD IS NOT REMOVABLE AT THE OPERATOR LEVEL.

1. Use a 9/64 inch hex wrench to remove the two handguard screws.





2. Slide the handguard forward and off of the upper receiver and barrel.



15.2 HANDGUARD INSTALLATION



WARNING PHYSICAL INJURY/DAMAGE



YOU MUST MAKE SURE THAT WHEN CHANGING BARRELS AND HANDGUARDS, THE FLASH HIDER, MUZZLE BRAKE, OR SUPPRESSOR MUST BE EXPOSED FROM THE END OF THE HANDGUARD. FAILURE TO DO SO COULD RESULT IN INJURY TO THE OPERATOR AND OR DAMAGE TO THE RIFLE.

1. Slide the handguard onto rails of upper receiver ensuring the locking tabs are on both sides of the upper receiver.





2. Replace the handguard screws and torque to 40 in-lbf.



16.0 TROUBLESHOOTING GUIDE



WARNING STOPPAGE



STOP FIRING IMMEDIATELY. UNLOAD AND CLEAR THE FIREARM.

A stoppage is an interruption in the rifle's cycle of function that can be cleared by the operator taking immediate action. Immediate action consists of steps taken by the operator to place the rifle back in service without investigating the cause of the stoppage. Use caution when attempting to remove cartridges or rounds from the chamber or the interior of the upper receiver as these areas may be hot after firing.

Immediate action:

1. Keep the firearm pointed in a safe direction.
2. Unload and clear the firearm immediately by removing the magazine, locking the slide to the rear, and clearing any ammunition from the firearm.
3. Visually and physically check the chamber, breech face, and magazine well.

With the firearm unloaded and cleared, perform an additional visual inspection of the firearm and the ammunition. If a bore obstruction exists, refer to the following page: *16.1 Obstructed Bore on page 94*. If damage to the firearm is found, the stoppage persists, or a malfunction is suspected, take the firearm to a certified SIG SAUER Armorer for service.



16.1 OBSTRUCTED BORE



WARNING OBSTRUCTED BORE



STOP FIRING IMMEDIATELY AND KEEP THE FIREARM POINTED IN A SAFE DIRECTION. UNLOAD AND CLEAR THE FIREARM. DO NOT FIRE ANOTHER ROUND UNTIL THE OBSTRUCTION IS CLEARED. FAILURE TO COMPLY CAN RESULT IN SERIOUS INJURY OR DEATH TO THE OPERATOR AND/OR OTHERS AND CATASTROPHIC DAMAGE TO THE FIREARM.

Immediately stop shooting and keep the firearm pointed in a safe direction whenever:

- There is difficulty or unusual resistance in chambering a cartridge;
- A cartridge misfires (does not go off);
- The mechanism fails to extract a fired cartridge case;
- Unburned grains of propellant powder are discovered;
- A shot sounds weak or abnormal.

It is possible that a bullet is lodged partway down the barrel. If a bullet is in the bore, do not attempt to shoot it out with another cartridge, a blank, or a case without a bullet. Bullets can become lodged in the barrel when the cartridge has been improperly loaded without propellant powder, the powder fails to ignite, or the bullet was not properly seated in the cartridge case. Immediately unload and clear the firearm. Field strip the firearm and look through the bore of the barrel.

It is not sufficient to merely look in the chamber as a bullet may be lodged some distance down the barrel where it cannot easily be seen. Attempt to remove the bullet by tapping it out with a cleaning rod from the chamber end of the rifle. If the bullet can be removed, clean any unburned powder grains from the bore, chamber, and mechanism before resuming shooting. If the bullet cannot be dislodged, take the firearm to a certified SIG SAUER Armorer.

16.2 COOK-OFF



WARNING COOK-OFF



COOK-OFF IS DEFINED AS A CHAMBERED CARTRIDGE DETONATING DUE TO THE HEAT OF THE BARREL. FAILURE TO COMPLY WITH THE BELOW LISTED STEPS COULD RESULT IN DEATH, SERIOUS INJURY, OR PROPERTY DAMAGE.

If the rifle stops firing with a cartridge in the chamber of a hot barrel due to a misfire or stoppage, do the following:

1. Keep the rifle pointed in a safe direction.
2. Immediately remove the magazine and chambered cartridge.
3. If the cartridge cannot be removed within 10 seconds, keep rifle pointed in a safe direction. Wait at least 15 minutes for the chamber and the barrel to cool and then remove the cartridge.



16.3 GENERAL STOPPAGES

STOPPAGE	TEST/INSPECTION	CORRECTIVE ACTION
Failure to Fire	Safety selector lever on SAFE	Rotate to FIRE position
	Firing pin improperly installed	Reassemble correctly
	Excessive lubricant in firing pin recess of bolt	Clean out excess lubricant and reassemble
	Damaged ammunition	Replace ammunition
Failure to Feed	Overloaded magazine	Remove excess cartridges
	Dirty magazine	Clean magazine
	Damaged magazine	Replace magazine
	Poor lubrication or dirty firearm	Field strip, clean, and lubricate the firearm
	Dirty, corroded, or damaged ammunition	Replace ammunition
Failure to Chamber	Dirty, corroded, or damaged ammunition	Replace ammunition
	Dirty chamber or feed ramps	Clean chamber and feed ramps
	Poor lubrication/Dirty firearm	Field strip, clean, and lubricate the firearm
	Weak action spring	Replace spring
Double Feed	Damaged magazine	Replace magazine

STOPPAGE	TEST/INSPECTION	CORRECTIVE ACTION
Bolt Fails to Lock	Dirty or poorly lubricated bolt or firearm	Field strip, clean, and lubricate the firearm, paying special attention to the bolt
	Ammunition not to specification	Use only the correct ammunition
	Damaged bolt lugs	Contact SIG Sauer Customer Service
Failure to Extract	Dirty, corroded, or damaged ammunition	Replace ammunition
	Dirty or poorly lubricated chamber, extractor, or firearm	Field strip, clean, and lubricate the firearm, paying special attention to the chamber
	Damaged extractor or extractor spring	Contact SIG Sauer Customer Service
Bolt Fails to Lock After Last Round is Fired	Damaged magazine	Replace magazine
	Damaged bolt catch	Contact SIG Sauer Customer Service
	Gas valve not in the proper setting	Set gas valve to applicable setting
Under Function	Damaged or worn gas rings	Contact SIG Sauer Customer Service
	Gas valve not in the proper setting	Set gas valve to applicable setting
Frozen Fire Control Selector	Lack of lubricant	Lubricate selector
	Dirt or residue buildup beneath selector	Clean fire control selector



16.4 MINIMIZING STOPPAGES

- Most stoppages can be minimized by cleaning and lubricating the firearm. See *11.0 Cleaning and Lubrication on page 58*.
- Cleaning and lubricating the firearm after each range session will reduce the chances of a stoppage due to dirt and residue buildup.
- Perform maintenance if the firearm is exposed to extreme environmental conditions (rain, snow, freezing temperatures, etc.).
- Periodically inspect the firearm if it is to be stored for extended periods of time without use.
- Most stoppages are directly related to the magazine. Perform maintenance on the magazines as well as the firearm. See *14.0 Magazine Maintenance on page 85*.
- Mark the magazines so the operator can note which ones are more commonly involved in stoppages and malfunctions.

17.0 STORAGE AND TRANSPORTATION



WARNING STORAGE

NEVER PLACE OR STORE ANY FIREARM IN SUCH A MANNER THAT IT MAY BE DISLODGED. FIREARMS SHOULD ALWAYS BE STORED, LOCKED, UNLOADED, SEPARATE FROM THEIR AMMUNITION, AND INACCESSIBLE TO CHILDREN AND ANY OTHER UNAUTHORIZED PERSON. THE USE OF A LOCKING DEVICE OR SAFETY LOCK IS ONLY ONE ASPECT OF RESPONSIBLE FIREARMS STORAGE. FAILURE TO PROPERLY STORE FIREARMS MAY CAUSE SERIOUS INJURY OR DEATH TO SELF OR OTHERS, OR PROPERTY DAMAGE.

17.1 SHORT TERM STORAGE (90 DAYS OR LESS)

1. Ensure the chamber and magazine do not contain live ammunition.
2. Clean the bore and chamber.
3. Apply a generous coat of CLP to the chamber and bore.
4. Apply a light coat of CLP to all other metal surfaces for corrosion protection.

17.2 LONG TERM STORAGE (90 DAYS OR LONGER)

1. Ensure the firearm is thoroughly cleaned.
2. Apply a medium coat of CLP to the chamber and bore.
3. Apply a light coat of CLP to all other metal surfaces for corrosion protection.
4. Wrap the firearm with a waterproof material.
5. Place the firearm in a corrosion resistant barrier bag.



17.3 ENVIRONMENTAL STORAGE RECOMMENDATIONS (ARMORY)

Provide humidity control to limit the relative humidity (RH) to no greater than 40% at 80°F (26.7°C). If personnel will be working in these areas, design to 68°F (20.0°C) dry bulb and 40% RH for indoor design heating conditions, and 75°F (23.9°C) dry bulb and 40% RH for indoor design cooling conditions.

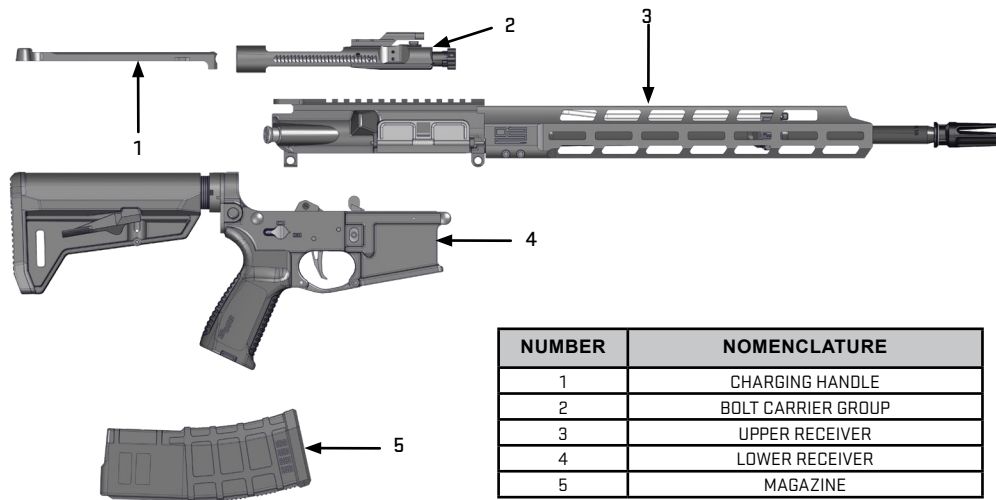
17.4 TRANSPORTATION

IT IS THE OWNER'S RESPONSIBILITY TO FAMILIARIZE THEMSELVES WITH THE LAWS OF ANY JURISDICTION(S) THEY ARE PLANNING TO TRAVEL TO AND THROUGH WITH THE FIREARM.

When transporting the firearm to and from shooting activities, keep it unloaded for safety purposes. When storing the firearm for transportation, keep it separated from ammunition, under lock and key, and out of the reach of children and other unauthorized persons. If transporting the firearm in a vehicle, ensure that it is secured within the confines of the vehicle. Should the vehicle become involved in an accident, the firearm could become dislodged and move about the interior of the vehicle or be ejected from the vehicle.

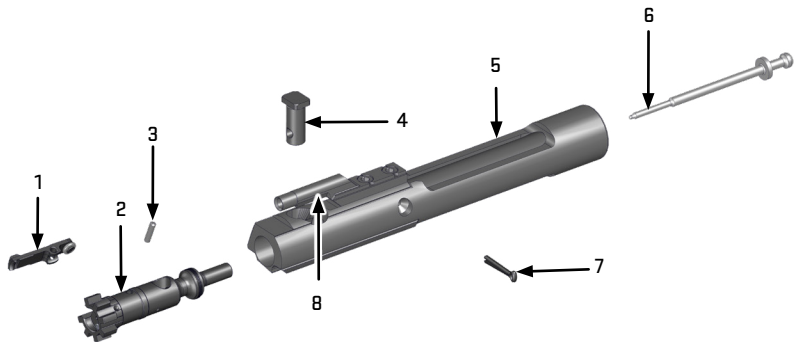
18.0 SIG M400-TREAD V2 PARTS DIAGRAMS

18.1 RIFLE PARTS DIAGRAM





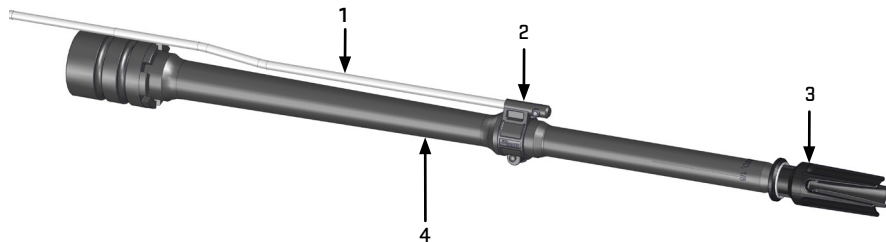
18.2 BOLT CARRIER GROUP PARTS DIAGRAM



NUMBER	NOMENCLATURE
1	EXTRACTOR
2	BOLT
3	EXTRACTOR PIN
4	CAM PIN

NUMBER	NOMENCLATURE
5	BOLT CARRIER
6	FIRING PIN
7	FIRING PIN RETAINING PIN
8	GAS KEY

18.3 BARREL ASSEMBLY DIAGRAM

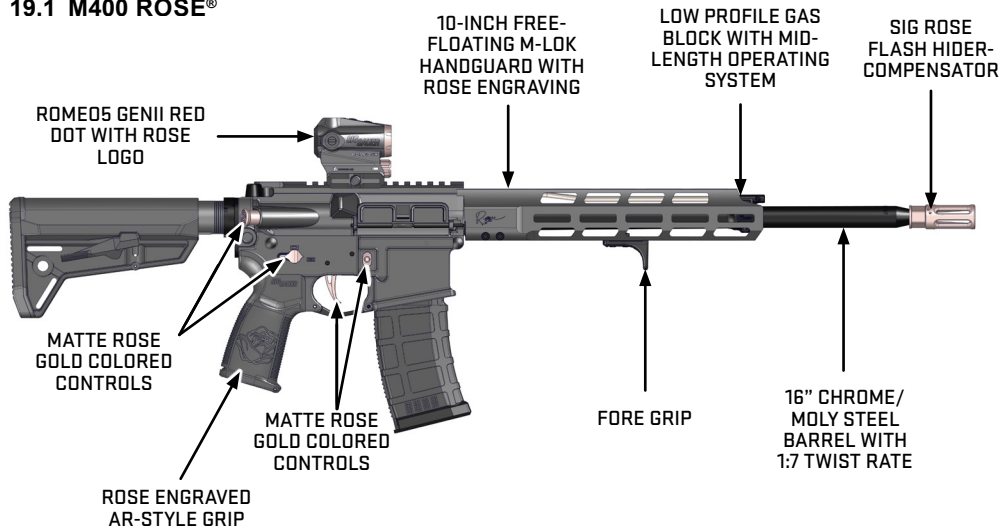


NUMBER	NOMENCLATURE
1	GAS VALVE
2	GAS BLOCK ASSEMBLY
3	PRONG FLASH HIDER
4	BARREL

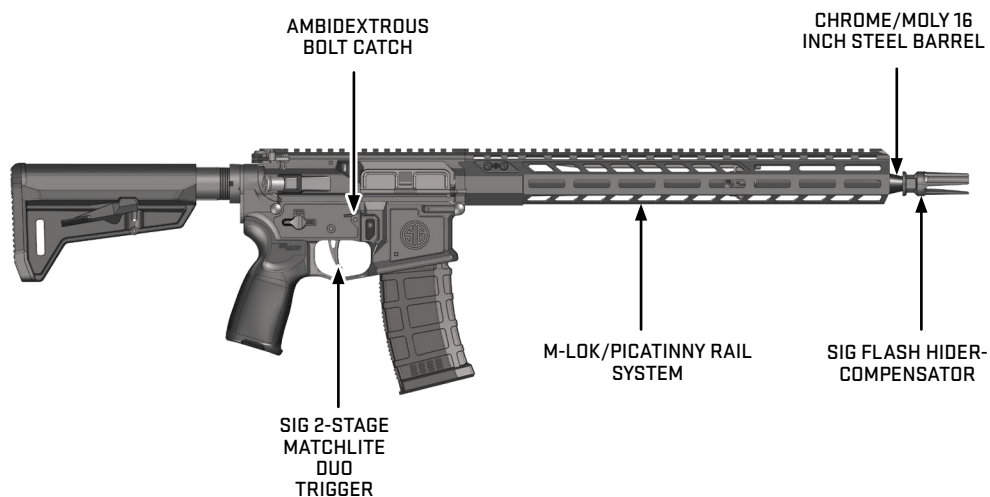


19.0 SIG SAUER M400 MODELS

19.1 M400 ROSE®

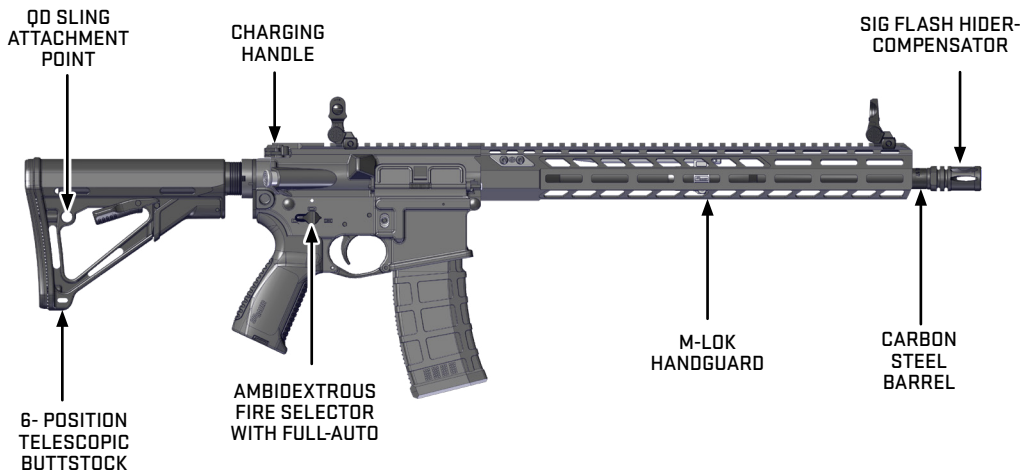


19.2 M400 SDI X®

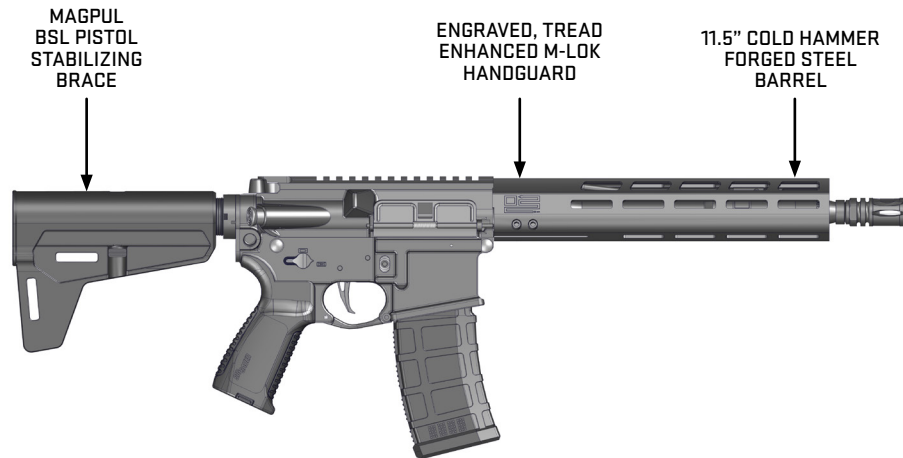




19.3 M400 PRO® (SELECT FIRE MODEL)



19.4 M400-TREAD PISTOL®





20.0 REPLACEMENT PARTS POLICY



WARNING PARTS REPLACEMENT

IT IS THE PURCHASER'S RESPONSIBILITY TO BE ABSOLUTELY CERTAIN THAT ANY PARTS ORDERED FROM THE FACTORY ARE CORRECTLY FITTED AND INSTALLED. FIREARMS ARE COMPLICATED MECHANISMS AND IMPROPER FITTING OF PARTS MAY RESULT IN A DANGEROUS MALFUNCTION, DAMAGE TO THE FIREARM, AND SERIOUS INJURY TO THE SHOOTER AND OTHER PERSONS. THE PURCHASER AND INSTALLER OF PARTS MUST ACCEPT FULL RESPONSIBILITY FOR THE CORRECT ADJUSTMENT AND FUNCTIONING OF THE FIREARM AFTER SUCH INSTALLATION.

Parts Policy

Our Service Department maintains a full complement of replacement parts. Even though most gunsmiths have the knowledge, training, and the ability to make necessary repairs to the firearm, the skill and workmanship of any particular third-party gunsmith is totally beyond our control.

Should the firearm ever require service, it is strongly recommended that it be returned to SIG SAUER. A firearm is a precision instrument and some replacement parts will require individual fitting to ensure correct operation. A wrong part, improper fitting, or incorrect mechanical adjustment may result in an unsafe condition or dangerous malfunction, damage to the firearm, or cause possible serious injury to the shooter or others.

IF ANY PART IS ORDERED WITHOUT RETURNING THE FIREARM TO SIG SAUER, the owner bears full responsibility for ensuring that the part supplied is correct for their particular firearm and is properly installed and fitted by a qualified smith.

SIG SAUER IS NOT RESPONSIBLE FOR THE FUNCTIONING OF ANY FIREARM IN WHICH REPLACEMENT PARTS ARE INSTALLED BY OTHERS. THE USE OF UNAPPROVED AFTERMARKET PARTS WILL VOID THE WARRANTY OF THIS FIREARM. THE REPLACEMENT OF ORIGINAL EQUIPMENT MANUFACTURER (OEM) SIG SAUER PARTS WITH AFTERMARKET PARTS IS UNAUTHORIZED AND IN SOME INSTANCES COULD ALTER THE FUNCTION OF THE FIREARM, CREATING A DANGER TO THE OPERATOR.

Scan the QR code below to visit the Small Parts Shopper page at sigsauer.com:



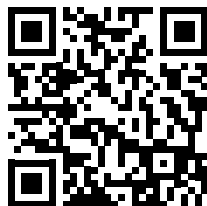


21.0 FACTORY REPAIR OF THE FIREARM

Contact SIG SAUER Customer Service for questions or concerns regarding the performance or serviceability of the firearm. There are three ways to contact SIG SAUER Customer Service:

Have the firearm's serial number readily available before contacting SIG SAUER Customer Service.

1. Call (603) 610-3000, choose option 1.
2. Email CustomerService@sigsauer.com.
3. Go to <https://www.sigsauer.com/customer-support> to message customer service electronically. Scan the QR code below to visit the Customer Support page at [sigsauer.com](https://www.sigsauer.com).



21.1 RETURNING FIREARMS FOR REPAIR

Do not ship a firearm without an RMA number provided by Customer Service.



WARNING DO NOT SHIP AMMUNITION

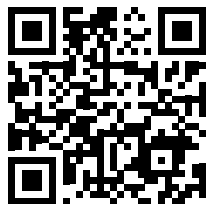


BEFORE SHIPPING ANY FIREARM, BE ABSOLUTELY CERTAIN THAT THE FIREARM AND MAGAZINES ARE UNLOADED. DO NOT SHIP AMMUNITION WITH A FIREARM.

1. The RMA number allows SIG SAUER to track the status of the return from the time SIG SAUER receives the firearm until it is returned.
2. Package the firearm securely to prevent damage.
3. Do not include any accessories such as scopes or mounts unless directed to do so.
4. Some states and localities, require firearms to be shipped and returned to SIG SAUER using a federally licensed firearms dealer.
5. Federal law prohibits persons who do not possess a Federal Firearms License (FFL) from shipping a firearm via the U.S. Postal Service.
6. Any shipment of firearms outside U.S. borders is subject to the export laws of the United States and to the valid laws of the specific country.
7. SIG SAUER is not responsible for any damage to a firearm during shipping until it is received.
8. Firearms must be insured and prepaid prior to shipment (SIG SAUER does not accept collect shipments) to the address provided by Customer Service.

**SIG SAUER INFINITE GUARANTEE™****NOTES**

For warranty information on new SIG SAUER firearms, scan the QR code below to visit the SIG SAUER Warranty Information and Registration page. New firearms can also be registered and warranty information can be found on the website.





NOTES

NOTES

SIG SAUER[®]

sigsauer.com

**SIG SAUER, Inc.
72 Pease Boulevard, Newington, NH 03801 USA**

All trademarks, service marks, trade names, trade dress, product names, and logos appearing in this manual are the property of their respective owners. No trademark or service mark appearing in this manual may be used without written consent of the mark's owner.