

SIGSAUER®



SIG P320® PISTOLS

OPERATOR'S MANUAL: HANDLING & SAFETY INSTRUCTIONS



READ THE INSTRUCTIONS AND WARNINGS IN THIS MANUAL CAREFULLY BEFORE USING THIS FIREARM.
DO NOT DISCARD THIS MANUAL.
THIS MANUAL SHOULD ALWAYS ACCOMPANY THIS FIREARM AND BE TRANSFERRED WITH IT UPON CHANGE
IN OWNERSHIP OR WHEN THE FIREARM IS PRESENTED TO ANOTHER PERSON.



WARNINGS

1.0 SAFETY WARNINGS

Read this entire manual thoroughly and carefully prior to using this firearm.

The warnings in this operator's manual are extremely important. By understanding the inherent dangers of firearm use and taking the precautions outlined in this manual, a high level of safety is achieved when handling the firearm. Failure to comply with any of these warnings may result in serious injury or death to the operator or others, as well as severe damage to the firearm or other property.

Warnings are identified by a red banner with the word **WARNING** in white, bold, uppercase letters with a **WARNING** icon.



WARNING

CAUTIONS in this manual identify a risk of damage to the firearm being maintained. **CAUTIONS** are identified by a black banner with the word **CAUTION** in white, bold, uppercase letters.

CAUTION



WARNINGS

SIG SAUER

SIG SAUER, INC.[®] firearms are designed to function reliably with proper care and knowledgeable use. Operators must understand the safe operation and use of any SIG SAUER firearm. Read and follow these instructions carefully. Do not use the firearm without understanding the instructions outlined in this manual and the safe operation of the firearm. **Failure to follow the instructions outlined in the manual may result in serious injury or death to the operator and/or others. Damage to the firearm and other property may also occur.**



WARNINGS

2.0 HANDLING

2.0.1 SAFETY MECHANISMS

MANUAL SAFETY

Consistent with individual users' philosophies of use, SIG SAUER offers the P320 with and without a manual safety, and the decision whether to deploy a manual safety rests with the user. This is an important decision that must consider several factors, including the intended use of the firearm (e.g., law enforcement, defensive carry, home defense, range use, competition), level of firearms experience and training, frequency of practice, holster selection, and carry position, among others. The internal safeties on the P320 are designed to prevent it from firing without the trigger being fully pulled. When the trigger is pulled or depressed, even unintentionally—whether by a finger or foreign object—the P320 firearm will fire as designed. When engaged, a manual safety locks the trigger and prevents it from being accidentally or intentionally pulled, providing additional protection from unintentional discharge. However, an engaged manual safety will also prevent an operator from firing their pistol even when they need it to fire if the manual safety is not first disengaged.

SIG SAUER encourages those considering the purchase of a P320 firearm to carefully evaluate whether a manual safety would be the best choice for them.



WARNINGS

SIG SAUER

Regardless of whether a firearm is equipped with an external manual safety, it remains the user's obligation to continue to practice safe firearm handling. Firearms should always be treated as loaded and must be handled in a safe manner even if the firearm is equipped with a manual safety. Trigger discipline and utilizing an appropriate holster that protects the trigger when a firearm is being carried is of paramount importance even for firearms that have a manual safety (as the pistol can be carried with the safety in a disengaged condition). Be advised, however, that holsters, while offering further trigger protection, do not prevent accidental discharges as it may be possible for a foreign object to get into the holster, particularly with light-bearing holsters. Extreme caution should be taken when holstering and unholstering a pistol to ensure nothing gets into the holster. Pistol safeties, whether internal or external, should never be relied upon to excuse undisciplined handling of a firearm.

This firearm may not have a manual safety if you have made the decision, based on the factors above, to purchase a gun without a manual safety. A manual safety – when engaged -- is designed to mechanically prevent the firearm from discharging when the trigger is pulled or pressed, either intentionally or unintentionally. **THE MOST EFFECTIVE SAFETY IS TO CARRY YOUR PISTOL WITHOUT A ROUND IN THE CHAMBER, AND TO LOAD A ROUND IN THE CHAMBER ONLY WHEN READY TO FIRE.** Regardless of whether your firearm is equipped with a manual safety you must take steps to protect against unintentional movement of the trigger, particularly if you elect to carry your pistol with a round in the chamber. If you have a round in the chamber and the trigger is pressed to the rear, the firearm will fire absent an engaged manual safety.



WARNINGS

A manual safety is designed to augment, not replace, safe firearm handling practices. You are responsible to protect against inadvertent trigger movement while carrying any firearm. Even if your firearm is equipped with a manual safety, you must ensure that the trigger is not contacted in any circumstance—whether by finger or an object—other than when you intend to discharge the firearm.

2.0.2 BASIC RULES OF SAFE FIREARMS HANDLING

- ALWAYS treat every firearm as if it were loaded.
- ONLY load a round in the chamber when ready to fire.
- NEVER pull the trigger or place fingers on the trigger or in the trigger guard until ready to fire.
- NEVER allow clothing or other foreign objects to interfere or come in contact with the trigger.
- ALWAYS carry a pistol in a holster specifically designed for that pistol. It is the responsibility of the customer to ensure the holster is compatible with their specific pistol and any installed accessories.
- ALWAYS be sure the barrel is clear of any obstruction.
- ALWAYS be aware of the surroundings, and the safety of bystanders before shooting. Know the target and what is in front of and beyond it.
- ALWAYS use clean, dry, original factory-made ammunition of the proper type and caliber for the firearm.
- ALWAYS wear ear protection and safety glasses when shooting.



WARNINGS

SIG SAUER

- ALWAYS carry a firearm so that control of the muzzle can be maintained in the event of a fall or stumble.
- NEVER shoot at a flat surface or water.
- DO NOT leave a loaded firearm unattended. Only store a firearm that is unloaded, cleared of all ammunition, and locked in a secure place inaccessible to children or unauthorized persons.
- NEVER allow the firearm to be used by anyone who has not read and understood the Operator's Manual.
- ALWAYS unload and clear a firearm according to the instructions in the Operator's Manual before handing it to another person.
- DO NOT point any firearm, loaded or unloaded, at any undesignated or unsafe target.
- NEVER discharge a firearm near an animal unless the animal is trained to accept the noise. An animal's startled reaction could injure it or cause an accident.
- NEVER drink alcoholic beverages or use drugs before or during shooting, as vision and judgment could be seriously impaired, making firearm handling unsafe.
- ALWAYS seek a doctor's advice before using a firearm if using medication that would impair judgment or usage.



WARNINGS

2.1 ABUSIVE HANDLING

SIG SAUER firearms incorporate effective mechanical safeties. However, like any mechanical device, exposure to abusive conditions may harm these safety mechanisms and cause them to fail to work as designed. Do not subject the SIG SAUER firearm to any abusive handling. This includes the firearm being dropped, impact to the firearm, or the firearm being struck by another object. Always maintain control of the firearm. If the firearm suffers an abusive event such as previously described, or experiences a malfunction, do not attempt to use the firearm. Keep the firearm pointed in a safe direction, unload and clear the firearm of all ammunition immediately, and have it inspected by a certified SIG SAUER armorer before using the firearm.

ALWAYS keep the firearm pointed in a safe direction. A safe direction is defined as an area where, if the firearm were to discharge, no property damage would occur, and no personal injury would result.

As previously noted, if the SIG SAUER firearm suffers an abusive event, unload it immediately and have it inspected by a certified SIG SAUER Armorer prior to using the firearm. If the firearm suffers an abusive event during a life-threatening/self-defense situation, follow the steps below immediately:

1. Pulling the slide entirely rearward to eject the chambered cartridge.
2. Releasing the slide to chamber a new cartridge and resetting the trigger mechanism. (Do not ride the slide forward.)
3. The firearm should now be returned to proper operational condition.



WARNINGS

SIG SAUER

Intentional or repetitive abusive handling of any SIG SAUER firearm will void the manufacturer's warranty and could render the firearm unsafe.

3.0 ALTERATIONS AND REPLACEMENT PARTS

Do not attempt to disassemble a SIG SAUER firearm beyond the point explained in the Operator's Manual. Disassembly beyond the instructions in the Operator's Manual is restricted to a certified SIG SAUER Armorer. Failure to comply with these restrictions will void the warranty.

This SIG SAUER firearm was designed to function properly in its original condition. Unauthorized alterations can make it unsafe. Do not alter or substitute any parts or accessories not manufactured by SIG SAUER for this firearm. Warnings and instructions about the use of SIG SAUER replacement parts, assemblies, and accessories may be described in instructions accompanying the specific products. Read and carefully follow those instructions. Failure to comply may result in serious injury or death to the operator and/or others. The use of aftermarket replacement parts is unauthorized and, in some instances, could alter the function of the firearm.



WARNINGS

3.1 ACCESSORIES

It is the responsibility of the operator to ensure all accessories are compatible with the firearm and do not interfere with the safe operation and handling of the firearm.

3.1.1 HOLSTERS

A properly designed holster protects the trigger from being contacted inadvertently when the firearm is holstered.

- Make sure the holster is designed specifically to accept the specific accessories installed on the firearm. Firearms equipped with a tactical light may have large openings to accommodate the bezel of the light, rendering the trigger area of the holstered firearm accessible to foreign objects or fingers if a light is not installed or if the holster is not sized specifically for use with the light that is installed on the firearm.
- Ensure the holster will protect the pistol while seated in a vehicle from surrounding features or devices in the vehicle that could interfere with the safe carry of the pistol. For example, entering and exiting the vehicle without the seat belts becoming snagged on the firearm or the holster.

Read and follow all warnings and instructions that are provided by the holster manufacturer before using. Failure to follow the instructions may result in serious injury or death to the operator and/or others.



WARNINGS

SIG SAUER

3.2 TRANSPORTING

When transporting a firearm, be sure the firearm is unloaded and cleared of all ammunition. It is the responsibility of the operator to know the laws of different states when traveling with a firearm.

3.3 STORAGE

Safe and secure storage is an important responsibility. The only safe way to store a firearm is unloaded, cleared of all ammunition, and locked in a secure place inaccessible to children or unauthorized persons.

3.4 CHAMBER SAFETY FLAG

Every SIG SAUER firearm is shipped with a chamber safety flag. When installed, the chamber safety flag prevents the chambering of a round and provides a readily visible indication that the firearm's chamber is empty. The chamber safety flag is to be placed in the firearm's chamber at all times when the firearm is not in use. Many public ranges require chamber safety flags be installed when the firing line is cold.



WARNINGS

3.5 LIABILITY

PISTOLS and RIFLES are classified as FIREARMS and are sold by SIG SAUER with the specific understanding that SIG SAUER shall not be responsible in any manner whatsoever for malfunctioning of the firearm, physical injury, or property damage resulting in whole or in part from:

- Criminal or negligent discharge
- Improper, careless, or abusive handling
- Unauthorized modifications or parts replacement
- Defective, improper, hand-loaded, or reloaded ammunition
- Corrosion
- Neglect
- Other influences beyond our direct and immediate control

This limitation applies regardless of whether liability is asserted on the basis of contract, negligence, or strict liability (including any failure to warn). Under no circumstance shall SIG SAUER, Inc., be liable for incidental or consequential damages such as loss of use of property, commercial loss, and loss of earnings or profits.



WARNINGS

SIG SAUER

4.0 EYE AND EAR PROTECTION



Always wear safety glasses that meet the requirements of American National Standards Institute (ANSI) z87.1 or European Standard (EN)166:2001 and ear plugs and “ earmuff ” type protectors whenever shooting. Always make certain that persons close are similarly protected. Unprotected eyes may be injured by powder, gas, carbon residue, lubricant, metallic particles, or similar debris that may emanate occasionally from any firearm in normal use. Without ear protection, repeated exposure to shooting noise may lead to cumulative, permanent hearing loss.

5.0 AMMUNITION

Use only high-quality, original, factory-manufactured ammunition. Do not use cartridges that are dirty, wet, corroded, bent, or damaged. A damaged or deformed cartridge may impede chambering or cause the cartridge case to burst upon firing. Do not oil cartridges. Lubricant or other foreign matter on cartridges can potentially cause dangerous ammunition malfunctions. Some highly penetrative lubricants can also migrate inside cartridge cases and cause deterioration of the propellant powder; on firing, the powder might not ignite. If only the primer ignites, there is danger that the bullet may become lodged in the barrel. Only use ammunition of the caliber for which the firearm is chambered.

The proper caliber is permanently engraved on the firearm’s barrel.



WARNINGS

The use of reloaded, hand-loaded (re-manufactured), or other nonstandard ammunition voids all warranties. Reloading is a science, and improperly loaded ammunition can cause severe damage to the firearm and may result in serious injury or death to the operator and/or others.

Always use ammunition that complies with the industry performance standards established by the Sporting Arms and Ammunition Manufacturers' Institute, Inc. (SAAMI) or ammunition manufactured to U.S. military specifications.

SIG SAUER, Inc., specifically disclaims responsibility for any damage or injury whatsoever occurring in connection with, or as a result of, the use of any SIG SAUER firearm of faulty, nonstandard, hand-loaded (reloaded) ammunition, or cartridges other than those for which the firearm was originally chambered. Excessive pressure inside the chamber or barrel while firing a firearm may cause severe damage and serious injury or death to the shooter or to others may occur.



WARNING: CANCER AND REPRODUCTIVE HARM—www.P65warnings.ca.gov



DISCHARGING FIREARMS IN POORLY VENTILATED AREAS, CLEANING FIREARMS, OR HANDLING AMMUNITION MAY RESULT IN EXPOSURE TO LEAD AND OTHER SUBSTANCES KNOWN TO THE STATE OF CALIFORNIA TO CAUSE BIRTH DEFECTS, REPRODUCTIVE HARM, AND OTHER SERIOUS PHYSICAL INJURY. MAINTAIN ADEQUATE VENTILATION AT ALL TIMES. WASH HANDS THOROUGHLY AFTER EXPOSURE. SHOOTING OR CLEANING FIREARMS MAY EXPOSE OPERATORS TO LEAD.



WARNINGS



6.0 LOCKING DEVICES



All SIG SAUER firearms are shipped with a key-operated locking device or a lockable case.

Never install the locking device inside the trigger guard or in any way that makes it possible to pull the trigger! Do not leave the keys in the lock.

All firearm owners are responsible for secure storage of any firearm.

ALWAYS refer to the locking device's manufacturer directions for installation and removal of the device.



7.0 SAFETY INFORMATION

Do not practice loading or firing any firearm with live ammunition until the Operator's Manual has been read and understood.

Seek supervised instruction for any additional information.

The SIG SAUER Academy provides all levels of firearms safety and skill training.

For more information contact:

SIG SAUER
ACADEMY

sigsaueracademy.com • (603) 610-3400
Epping, New Hampshire

SAFETY MUST BE THE FIRST AND CONSTANT CONSIDERATION OF EVERY PERSON WHO HANDLES FIREARMS AND AMMUNITION.

For more information about safety, responsible firearms ownership, and shooting sports, contact:
National Rifle Association (NRA) of America
11250 Waples Mill Road, Fairfax, VA 22030-7400 • 1-800-672-3888
nra.com



Contents

1.0 Safety Warnings	2
2.0 Handling	4
2.0.1 SAfety Mechanisms	4
2.0.2 Basic Rules of Safe Firearms Handling	6
2.1 Abusive Handling	8
3.0 Alterations and Replacement Parts	10
3.1 Accessories	10
3.1.1 Holsters	10
3.2 Transporting	11
3.3 Storage	11
3.4 Chamber Safety Flag	11
3.5 Liability	12
4.0 Eye and Ear Protection	13
5.0 Ammunition	13
6.0 Locking devices	15
7.0 Safety Information	16
8.0 Mechanical Characteristics	21
8.1 Description of Firearm	21
8.2 Main Components and Operator Controls (Standard Controls)	22
8.3 Principal Safety Features	24
9.0 Handling	25
9.1 Preparation Instructions	25
9.2 Magazine Disconnect Mechanism	25
9.3 Manual Safety Equipped Pistols	26
9.4 Loaded Chamber Indicator (LCI) Equipped Pistols	27
9.5 Loading the Magazine	28
9.6 Loading the Pistol	30
9.6.1 Reloading During Shooting – Depleted Magazine	34
9.6.2 Reloading During Shooting – Partial magazine	37

9.7 Firing	40
9.8 Unloading and Clearing the Pistol	41
9.8.1 Unloading the Pistol (Magazine Not Empty)	42
9.8.2 Unloading the Pistol (Magazine Empty, Slide Open)	45
10.0 User Level Authorized Maintenance	47
10.1 Pistol Disassembly	47
10.2 Cleaning and Lubricating	52
10.3 Pistol Assembly	57
11.0 Magazine Maintenance	61
11.1 Magazine Disassembly	61
11.2 Cleaning	62
11.3 Magazine Assembly	63
12.0 Function Check	65
13.0 Pistol Adjustments	67
13.1 Torque Specifications	67
13.2 Sight Plate Removal and Installation	69
13.2.1 Sight Plate Removal	69
13.2.2 Sight Plate Installation	72
13.3 Blanking Plate Removal and Installation	75
13.3.1 Blanking Plate Removal	75
13.3.2 Blanking Plate Installation	76
13.4 ROMEO Red Dot Optic Removal and Installation	77
13.4.1 ROMEO Removal	77
13.4.2 ROMEO Installation	78
13.5 Compensator Removal and Installation	80
13.5.1 Compensator Removal	80
13.5.2 Compensator Installation	83
13.6 Magazine Catch/Release Removal and Installation	85
13.6.1 Magazine Catch/Release Removal	85
13.6.2 Magazine Catch/Release Installation	87
13.7 Magazine Funnel Removal and Installation	88



13.7.1 Magazine Funnel Removal	88
13.7.2 Magazine Funnel Installation	89
13.8 Fire Control Unit (FCU) Removal and Installation	90
13.8.1 FCU Removal	90
13.8.2 FCU Installation	93
14.0 Sights	96
14.1 General Information	98
14.2 Windage (Left/Right) Adjustment.	99
14.3 Elevation (Up/Down) Adjustment.	100
14.4 Sight Adjustment(P320 XSERIES Pistol)	101
15.0 Storage and Transportation.	102
16.0 Troubleshooting Guide	104
16.1 Obstructed Bore	105
16.2 Cook-Off	106
16.3 General troubleshooting	107
16.4 Minimizing Stoppages	109
17.0 Replacement Parts Policy.	110
18.0 Factory Repair of the Firearm.	112
18.1 Returning Firearms for Repair	113
19.0 Standard Slide Parts Diagram	114
19.1 XSERIES Slide Parts Diagram	115
19.2 P320-RXP/XVTAC Slide Parts Diagram	116
19.3 P320 Spectre Compensated Slide Parts Diagram	117
19.4 P320 PRO Slide Parts Diagram	118
19.5 Standard Frame Parts Diagram	119
19.6 XSERIES Frame Parts Diagram	120
SIG SAUER Infinite Guarantee™	121

8.0 MECHANICAL CHARACTERISTICS

8.1 DESCRIPTION OF FIREARM

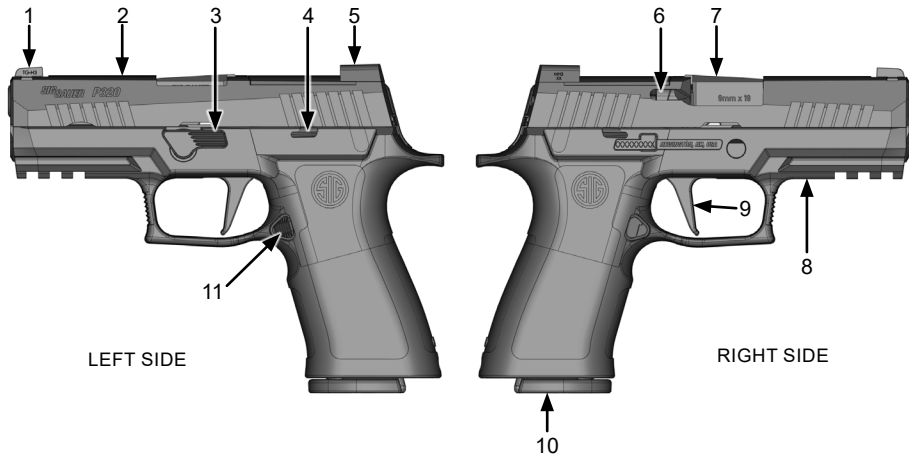
The SIG SAUER P320 pistol is a modern handgun incorporating the latest technical advances in firearm design for military, law enforcement, and sporting use. The P320 is a striker fired, mechanically locked, short recoil operated pistol with semi-automatic reloading. Firing takes place with each pull of the trigger. The slide remains open after the last cartridge has been fired. The SIG SAUER P320 is offered in 9mm and .45 Auto and has caliber exchange kits for .40 and .357 SIG. The pistol also features an interchangeable grip module, a reversible magazine catch/release, and ambidextrous controls. An accessory rail is integrated into the grip module, facilitating the easy attachment of industry standard tactical accessories.

Additional information about SIG SAUER products, SIG SAUER Academy and the SIG Experience Center, Special Programs, and additional support can be found by scanning the QR code below to visit sigsauer.com.





8.2 MAIN COMPONENTS AND OPERATOR CONTROLS (STANDARD CONTROLS)



1	Front Sight	A visual aid for proper alignment of the pistol.
2	Slide	Chambers and ejects rounds, cocks the internal hammer, provides a locking mechanism, houses firing and safety components, and manages recoil.
3	Takedown Lever	Allows the slide to be removed from the frame.
4	Slide Catch/Release Lever	Holds and releases the slide and aids in reloading.
5	Rear Sight	A visual aid for proper alignment of the pistol.
6	Extractor	Pulls spent casings or cartridges out of the chamber of the barrel.
7	Barrel	Guides the projectile from the chamber to the muzzle when the pistol is fired.
8	Grip Module	Houses trigger and safety components and magazine.
9	Trigger	When pressed actuates the internal components to fire the pistol.
10	Magazine	Holds and positions cartridges in place for feeding.
11	Magazine Catch/Release Button	Holds and releases the magazine in the grip module.



8.3 PRINCIPAL SAFETY FEATURES

This pistol contains the following safety features:

- The striker safety lock and disconnect safety prevent the firearm from firing unless the trigger is pulled, ensuring safe carrying of the firearm and providing instant readiness without actuating a manual safety.
- The P320 is offered with an optional ambidextrous manual safety, which prevents the trigger from being pulled when engaged.
- Certain models are equipped with a magazine disconnect mechanism which prevent the trigger from being pulled unless a magazine is inserted.

9.0 HANDLING

9.1 PREPARATION INSTRUCTIONS



WARNING MAINTENANCE

PRIOR TO PERFORMING ANY MAINTENANCE ON THE FIREARM, READ AND UNDERSTAND THE OPERATOR'S MANUAL. ENSURE THAT THE FIREARM IS UNLOADED, CLEARED, AND THE MAGAZINE IS REMOVED. SAFETY GLASSES SHOULD BE WORN WHENEVER DISASSEMBLING, CLEANING, INSPECTING, OR ASSEMBLING A FIREARM. FAILURE TO COMPLY MAY RESULT IN SERIOUS INJURY OR DEATH TO THE USER OR BYSTANDERS.

Perform an initial cleaning and lubrication of the pistol after unpacking it. Any fouling present will have been from final range firing at the factory prior to shipping. See **10.2 Cleaning and Lubricating on page 52** for instructions on cleaning the pistol.

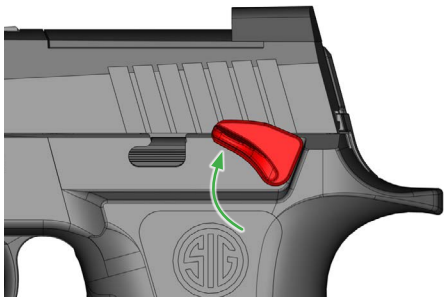
9.2 MAGAZINE DISCONNECT MECHANISM

Some models feature a magazine disconnect mechanism which mechanically blocks the movement of the trigger bar, preventing the trigger from being pressed to the rear unless a magazine is inserted.

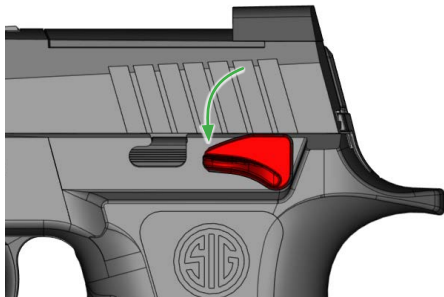


9.3 MANUAL SAFETY EQUIPPED PISTOLS

The SIG SAUER P320 is offered with an optional ambidextrous manual safety. The manual safety mechanically blocks the movement of the trigger bar, preventing release of the striker. To engage the manual safety, rotate the manual safety lever upward. The manual safety is ambidextrous. Pressing up on the lever from either side will rotate the opposite lever upward, engaging the manual safety. The slide can be manipulated with the manual safety engaged.



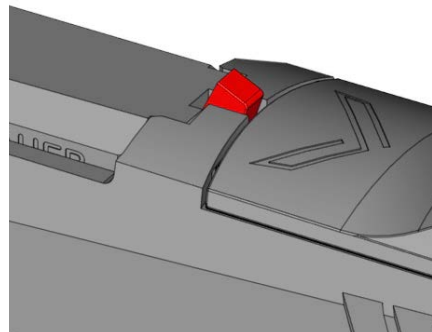
ENGAGE MANUAL SAFETY



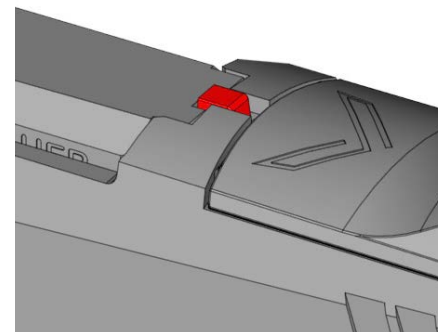
DISENGAGE MANUAL SAFETY

9.4 LOADED CHAMBER INDICATOR (LCI) EQUIPPED PISTOLS

The loaded chamber indicator provides a visual and tactile indication that there is a live round in the chamber. In limited visibility situations, the non-firing hand can be used to determine if the loaded chamber indicator is in the elevated position indicating a live round in the chamber.



ROUND IN CHAMBER



EMPTY CHAMBER



9.5 LOADING THE MAGAZINE

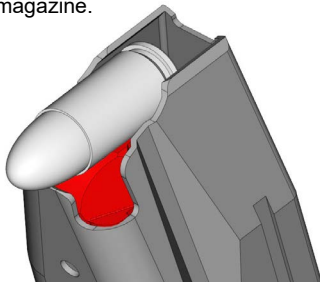
CAUTION

DO NOT ATTEMPT TO INSERT MORE CARTRIDGES THAN THE MAGAZINE'S DESIGNED CAPACITY.

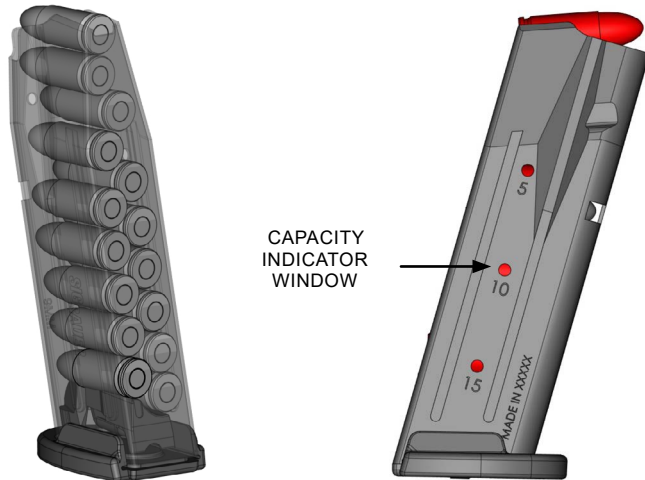
NOTE

Ensure that the magazine is the proper type and caliber for the pistol.

1. Press down on the magazine follower using the cartridge case rim. Ensure that the projectile is facing the front of the magazine.



2. Push the cartridge to the rear and under the magazine lips.
3. Repeat until the magazine holds the desired number of cartridges or is full. Do not attempt to insert more cartridges than the magazine's designed capacity.



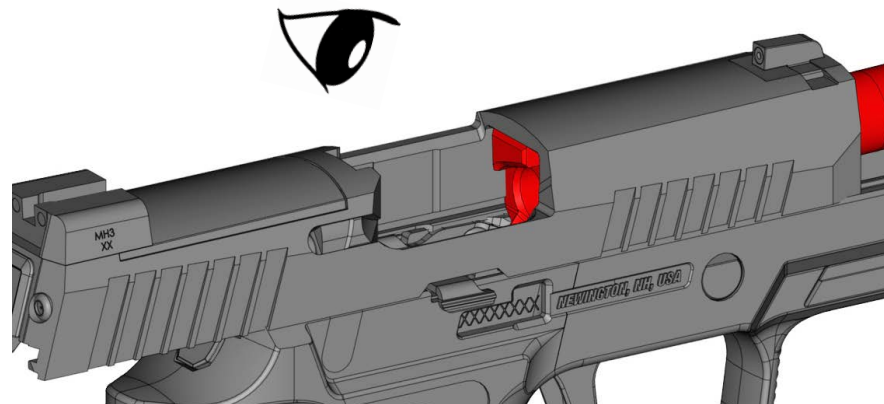


9.6 LOADING THE PISTOL

1. Point pistol in a safe direction. Engage the manual safety if so equipped.
2. Fully retract the slide and lock it to the rear by pushing up on the slide catch/release lever.

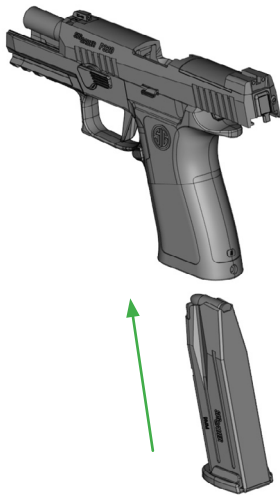


3. Visually and physically inspect the chamber to ensure that it is clear.
4. Inspect the breech face and magazine well for any foreign debris or ammunition.

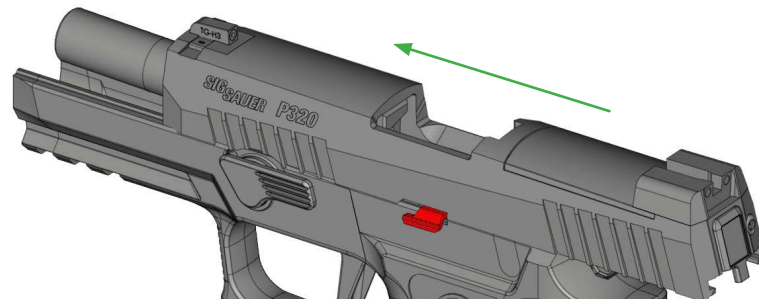




5. Insert a loaded magazine, pushing it up into magazine well until it locks in place. There should be an audible click.



6. Release the slide by either:
- Pressing down on the slide catch/release lever, releasing the slide forward and chambering a cartridge.
 - Pulling back on the slide until the slide catch/release lever drops clear of the slide then releasing it to chamber a cartridge. Do not ride the slide forward. Failure to properly complete this step may induce a stoppage.



WARNING LOADED FIREARM



THE PISTOL IS NOW LOADED AND READY TO FIRE



9.6.1 RELOADING DURING SHOOTING – DEPLETED MAGAZINE

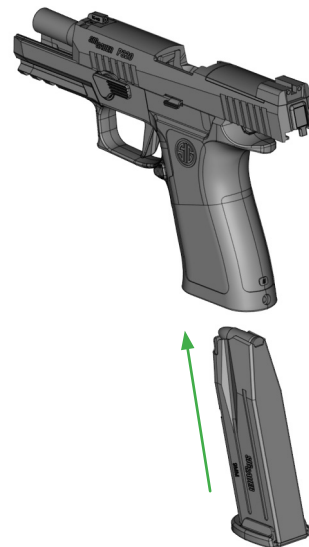
NOTE

When the last cartridge in the magazine is expended, the slide will be locked back in the open position by the slide catch/release lever.

1. Engage the manual safety if so equipped.
2. Press the magazine catch/release to remove the empty magazine.

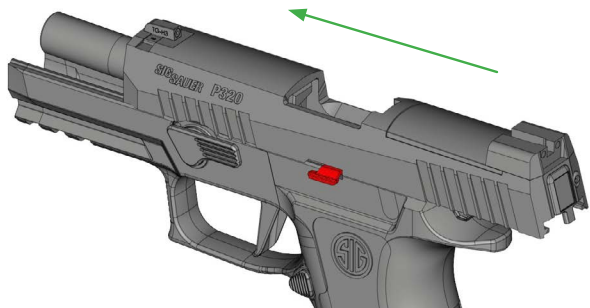


3. Insert a loaded magazine, making sure it is locked into the grip module.





4. Release the slide by either:
 - a. Pressing down on the slide catch/release lever.
 - b. Pulling back and releasing the slide.



WARNING LOADED FIREARM



THE PISTOL IS NOW LOADED AND READY TO FIRE

9.6.2 RELOADING DURING SHOOTING – PARTIAL MAGAZINE

NOTE

A magazine does not need to be empty to be removed.

1. Keep the muzzle pointed in a safe direction.
2. If equipped, rotate the manual safety lever upward to engage the manual safety.





3. Press the magazine catch/release to remove the loaded magazine.

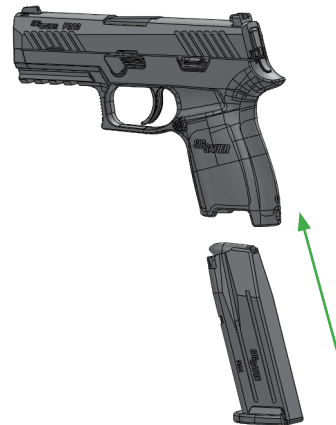


WARNING LOADED FIREARM



THE PISTOL IS STILL LOADED AND READY TO FIRE.

4. Insert a loaded magazine by pushing it up and into the magazine well until it locks in place. There should be an audible click.





9.7 FIRING



WARNING LOADED FIREARM



KEEP FINGERS OUT OF TRIGGER GUARD AND OFF THE TRIGGER UNTIL READY TO FIRE. ALWAYS ENSURE FIREARM IS POINTED IN A SAFE DIRECTION. FAILURE TO COMPLY MAY RESULT IN SERIOUS INJURY OR DEATH.



1. Aim the pistol at a safe target
2. If equipped, press down on the manual safety lever to disengage the manual safety.
3. Pull the trigger to fire.
4. Keep the pistol aimed at the target until done shooting.
5. To unload and clear the firearm, proceed to **9.8 Unloading and Clearing the Pistol on page 41**.

9.8 UNLOADING AND CLEARING THE PISTOL



WARNING UNLOAD/CLEAR



FAILURE TO ENSURE THE FIREARM IS UNLOADED AND CLEARED COULD RESULT IN UNINTENTIONAL DISCHARGE, CAUSING SERIOUS INJURY, DEATH, OR PROPERTY DAMAGE.

REMOVING THE MAGAZINE FROM THE FIREARM DOES NOT PREVENT A CHAMBERED ROUND FROM BEING FIRED UNLESS THE FIREARM IS EQUIPPED WITH A MAGAZINE DISCONNECT MECHANISM.

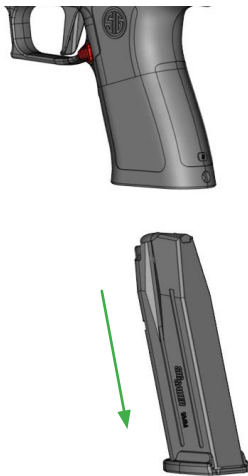
When the chamber has a live cartridge in it, it will discharge if the safety is disengaged and the trigger is pulled. Always completely unload and clear the pistol when it is not in use.

1. Engage the manual safety.
2. Point the muzzle in a safe direction.
3. Release the magazine.
4. Lock the slide rearward to open the chamber.
5. Visually verify that chamber and barrel are clear of any cartridges.
6. Check the firearm twice, both visually and physically.

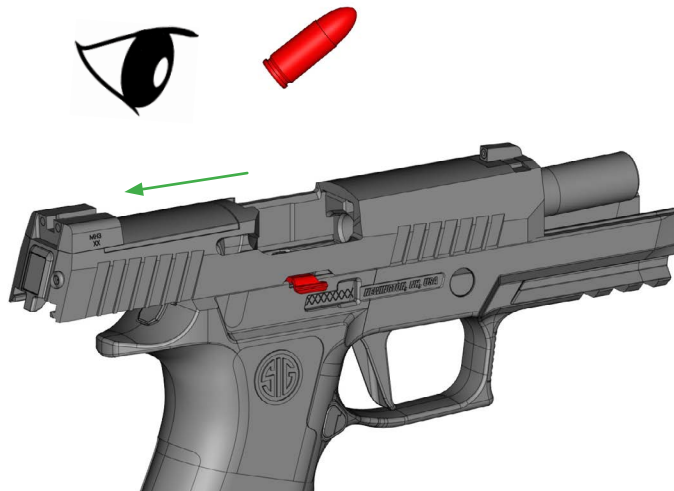


9.8.1 UNLOADING THE PISTOL (MAGAZINE NOT EMPTY)

1. Keep the muzzle pointed in a safe direction and, if equipped, engage the manual safety.
2. Press the magazine catch/release and remove the magazine.

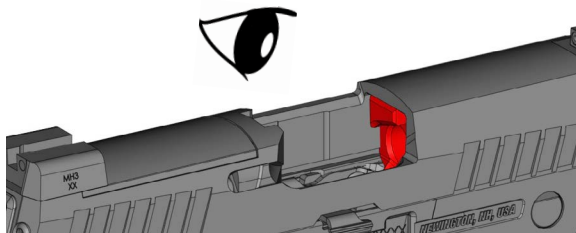


3. Pull the slide completely to the rear while watching for the ejection of a live cartridge. Push up on the slide catch/release lever to lock slide open.

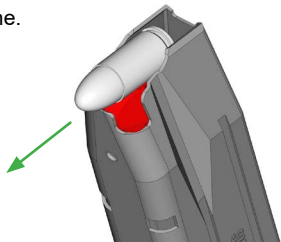




4. Visually and physically check the chamber, magazine well, and breech face to ensure that pistol is completely free of ammunition.

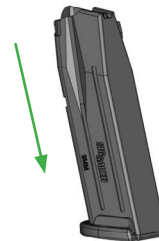


5. Press the slide catch/release lever, causing the slide to close.
6. Unload the magazine.



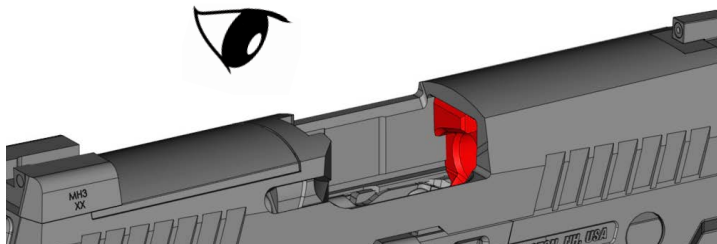
9.8.2 UNLOADING THE PISTOL (MAGAZINE EMPTY, SLIDE OPEN)

1. Keep the muzzle pointed in a safe direction and engage manual safety if so equipped.
2. Press the magazine catch/release and remove the magazine.

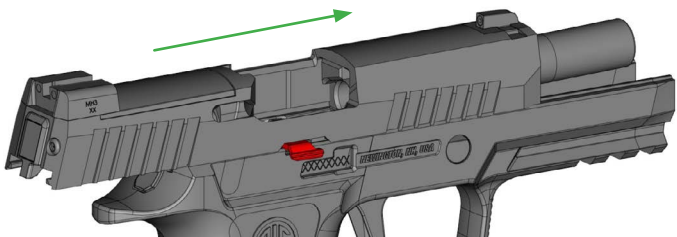




3. Visually and physically check the chamber, magazine well, and breech face to ensure that the pistol is completely free of ammunition.



4. Press the slide catch/release lever to close the slide.



10.0 USER LEVEL AUTHORIZED MAINTENANCE



WARNING UNLOAD/CLEAR

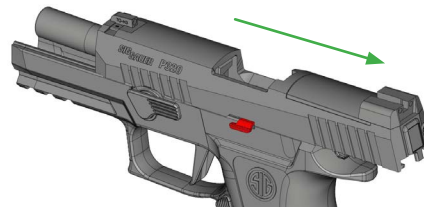


FAILURE TO ENSURE THE FIREARM IS UNLOADED AND CLEARED COULD RESULT IN UNINTENTIONAL DISCHARGE, CAUSING SERIOUS INJURY, DEATH, OR PROPERTY DAMAGE.

REMOVING THE MAGAZINE FROM THE FIREARM DOES NOT PREVENT A CHAMBERED ROUND FROM BEING FIRED UNLESS THE FIREARM IS EQUIPPED WITH A MAGAZINE DISCONNECT MECHANISM.

10.1 PISTOL DISASSEMBLY

1. Unload and clear the pistol. See [9.8 Unloading and Clearing the Pistol on page 41](#).
2. Lock the slide to rear by pulling the slide rearward and pushing up on the slide catch/release lever.



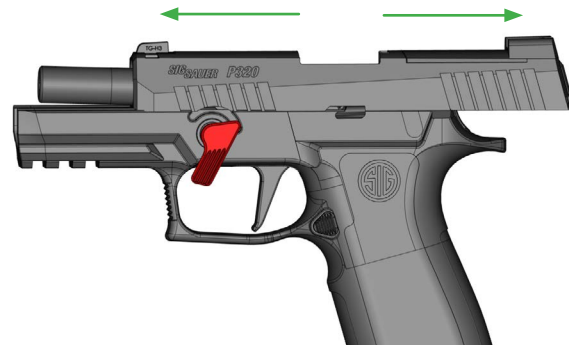


3. Rotate the takedown lever clockwise until it stops.

**WARNING PARTS UNDER SPRING TENSION**

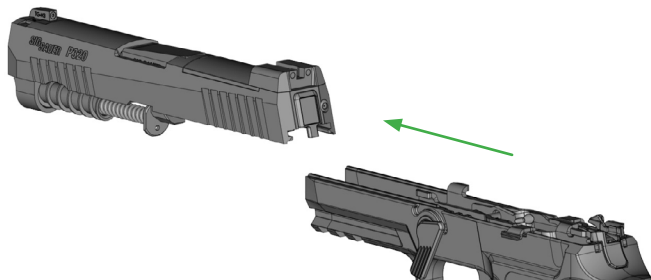
FIREARMS CONTAIN SEVERAL SPRING-LOADED PARTS. WEAR EYE PROTECTION AND MAINTAIN CONTROL DURING MAINTENANCE. FAILURE TO COMPLY MAY RESULT IN INJURY.

4. Pull the slide to the rear to disengage the slide catch/release lever while maintaining control of the slide assembly.

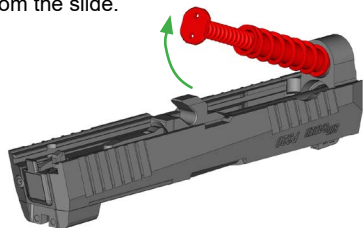




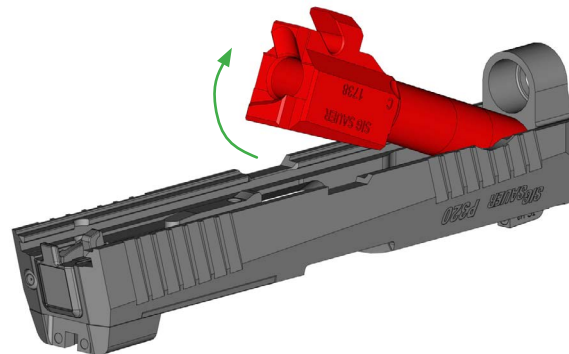
5. Guide the complete slide assembly (slide, barrel, recoil spring, and guide) forward and off of the frame



6. Push the recoil spring guide forward slightly and lift it from the rear to remove the recoil spring guide assembly from the slide.



7. Remove the barrel from the slide by pulling it upward slightly and to the rear.

**NOTE**

This level of disassembly is sufficient to allow a thorough cleaning after firing.



10.2 CLEANING AND LUBRICATING



WARNING CLEANING



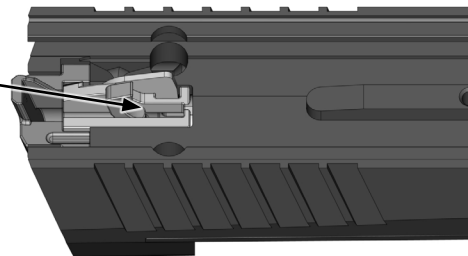
READ AND FOLLOW THE MANUFACTURER'S WARNINGS BEFORE USING SOLVENTS OR CLEANERS. USE IN A WELL-VENTILATED AREA. WEAR EYE PROTECTION.

CAUTION

NEVER CLEAN THE BARREL FROM THE MUZZLE END. DO NOT USE A STEEL WIRE BRUSH AS IT CAN DAMAGE THE SMOOTH SURFACE OF THE BARREL. USE A SUITABLE CLEANING ROD AND BRONZE BRUSH OF THE CORRECT CALIBER. SOLVENTS CAN BE HARMFUL TO THE SURFACE FINISH OF THE PISTOL. AVOID OVER-LUBRICATION OF COMPONENTS.

CAUTION

DO NOT LUBRICATE THE STRIKER OR ALLOW LUBRICANT TO FLOW INTO THE STRIKER CHANNEL OF THE SLIDE. THIS MAY CAUSE A LIGHT STRIKE TO THE CARTRIDGE RESULTING IN A FAILURE TO FIRE.



**MATERIALS REQUIRED**

- Cleaning patches
- Cleaning cloth
- Bore brush of the proper caliber
- Cleaning rod
- CLP[®] (Cleaning, Lubricant, Preservative)
- Lubricant, Low Temperature when applicable
- Cleaning brush

The following instructions are for normal environmental conditions. Clean and lube before or after every day the pistol is fired or at a minimum of every 500 rounds. The compensator (if installed) does not need to be removed for routine maintenance and cleaning.

SLIDE ASSEMBLY

1. Remove all of the old lubricant before reapplying.
2. Clean the slide assembly with a cloth. A soft brush and CLP[®] can be used to clean excessive dirt and carbon buildup. Ensure the extractor, rail slots, and breech face are free of dirt and residue.
3. Apply a light coat of CLP[®] to the frame rail slots of the slide.
4. Lightly oil all external parts.
5. Do not lubricate the striker assembly.

BARREL

1. Soak a patch with CLP[®] and push it through the bore from the chamber end and out past the muzzle.
2. If compensator is installed, push barrel forward in the slide to allow space to run rods and patches through the barrel.
3. Allow the CLP[®] to soak for several minutes to loosen residue and soften carbon deposits.
4. Wipe the exterior of the barrel with a cloth soaked in CLP[®].
5. Repeat step #1.
6. Use the bore brush and a cleaning rod to scrub heavy deposits from the bore.
7. Repeat step #1.
8. Push dry patches through the bore until they come out clean.
9. Lightly oil bore and chamber if the pistol is to be stored for a period of time.
10. Always remove any lubricant from the bore prior to firing the pistol.



RECOIL SPRING AND GUIDE ASSEMBLY

The P320 recoil spring and guide assembly is not to be disassembled. It is serviced as a single unit.

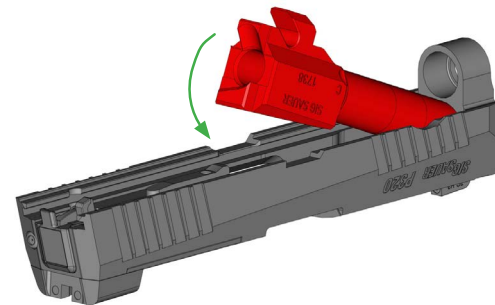
1. Clean the recoil spring guide assembly with CLP[®] and a soft brush.
2. After cleaning, apply a light coat of CLP[®].

FRAME/GRIP MODULE ASSEMBLY

1. Wipe the frame and grip module assembly with a soft cloth.
2. Use cotton swabs to clean hard to reach areas. Pay special attention to the frame rails, takedown lever, and slide catch/release lever.
3. Lubricate the frame rails with a light coat of CLP[®].
4. Apply CLP[®] to accessible functioning parts.
5. Clean the magazine well of any dirt, dust, or residue with a soft cloth.

10.3 PISTOL ASSEMBLY

1. Verify that the barrel is clear of all foreign matter.
2. Insert the barrel into the slide.



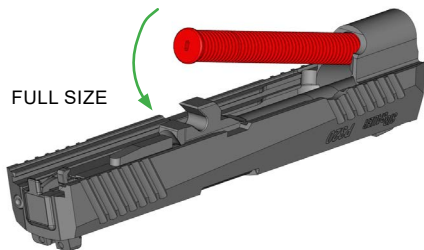
WARNING PARTS UNDER SPRING TENSION



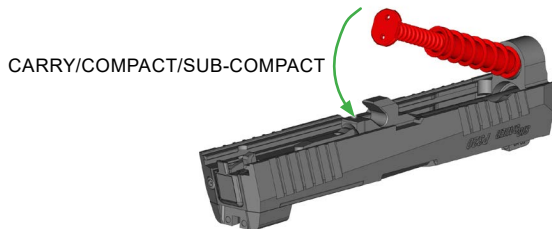
FIREARMS CONTAIN SEVERAL SPRING LOADED PARTS. WEAR EYE PROTECTION AND MAINTAIN CONTROL DURING MAINTENANCE. FAILURE TO COMPLY MAY RESULT IN INJURY.



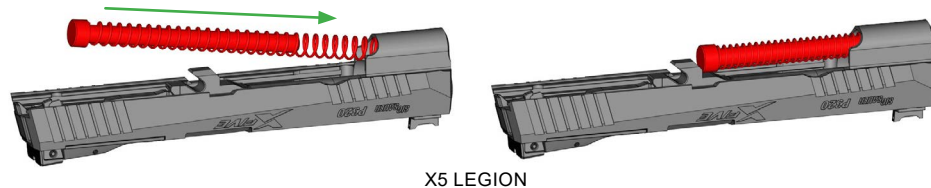
3. For full size pistol, insert recoil spring guide assembly into slide.



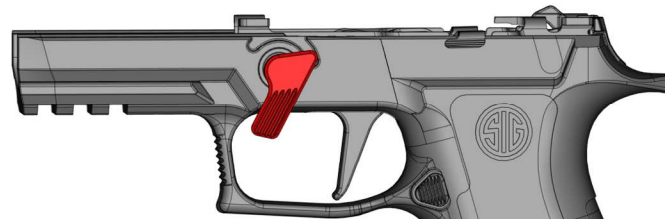
a. For Carry, Compact, and Sub-Compact pistols, insert recoil spring assembly into slide as shown. The spring guide must be rotated so the flats are vertical.



b. For X5 Legion, insert guide rod into spring then compress spring while inserting the guide rod and spring into slide. Head of spring guide should rest against barrel lug.

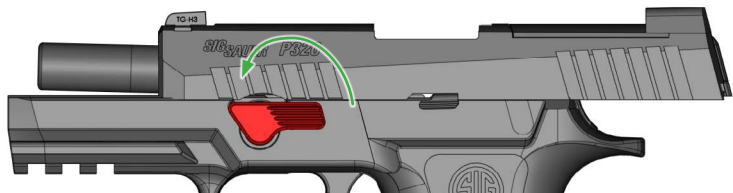


4. Ensure the takedown lever is rotated clockwise until it stops.

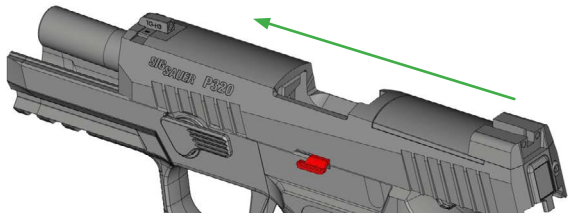




5. Guide the slide onto the frame rails from the front.
6. Retract the slide fully to the rear. Engage the slide catch/release lever to lock the slide in the open position.
7. Rotate the takedown lever counterclockwise until it stops.



8. Press the slide catch/release lever to release the slide.



11.0 MAGAZINE MAINTENANCE

11.1 MAGAZINE DISASSEMBLY

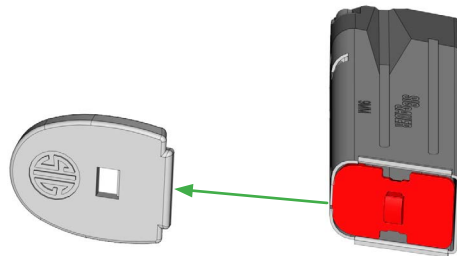


WARNING PARTS UNDER SPRING TENSION



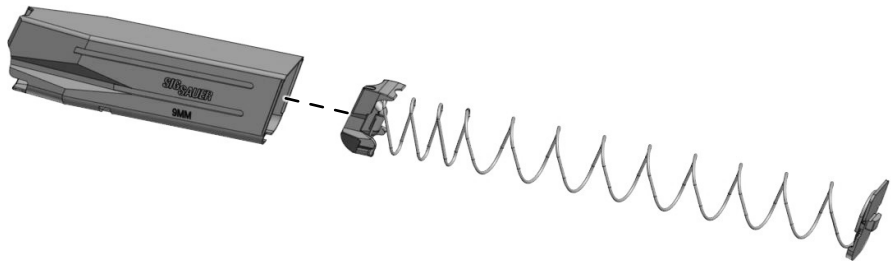
FIREARMS CONTAIN SEVERAL SPRING LOADED PARTS. WEAR EYE PROTECTION AND MAINTAIN CONTROL DURING MAINTENANCE. FAILURE TO COMPLY MAY RESULT IN INJURY.

1. Using a punch or similar tool, push the tab of the magazine insert forward then down to release and remove the floorplate.





2. Remove the magazine follower and magazine spring from the magazine tube.



11.2 CLEANING

1. Wipe the magazine tube and follower with a cloth. Clean the magazine tube and follower with a soft brush and CLP®.
2. Use a cloth to clean the magazine spring, floorplate, and base plate.
3. Apply a light coat of CLP® to the spring and magazine tube.

11.3 MAGAZINE ASSEMBLY

1. Place the magazine follower on the magazine spring and insert it into the bottom of the magazine tube.

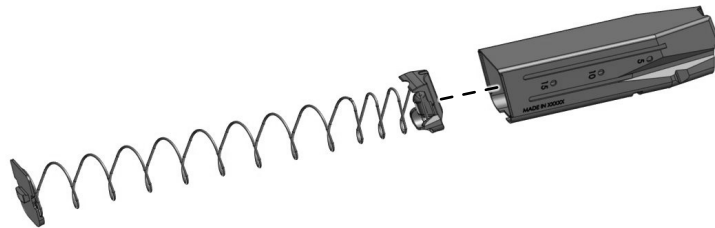


WARNING PARTS UNDER SPRING TENSION



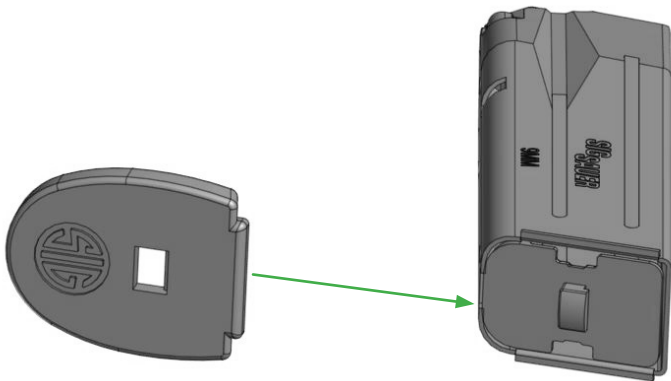
FIREARMS CONTAIN SEVERAL SPRING LOADED PARTS. WEAR EYE PROTECTION AND MAINTAIN CONTROL DURING MAINTENANCE. FAILURE TO COMPLY MAY RESULT IN INJURY.

2. Compress the magazine spring fully into magazine tube until the magazine insert is flush with the bottom of the magazine tube.





3. Holding the magazine insert in place, slide the magazine floorplate onto the magazine tube lips until the floorplate is locked in place by the insert.



12.0 FUNCTION CHECK

A function check is performed on the assembled pistol to verify its proper function. It should be performed after the completion of repairs and after each cleaning and assembly of the pistol.



WARNING UNLOAD/CLEAR



FAILURE TO ENSURE THE FIREARM IS UNLOADED AND CLEARED COULD RESULT IN UNINTENTIONAL DISCHARGE, CAUSING SERIOUS INJURY, DEATH, OR PROPERTY DAMAGE.

REMOVING THE MAGAZINE FROM THE FIREARM DOES NOT PREVENT A CHAMBERED ROUND FROM BEING FIRED UNLESS THE FIREARM IS EQUIPPED WITH A MAGAZINE DISCONNECT MECHANISM.

1. Insert an empty magazine into the magazine well. There should be an audible click and the magazine catch/release should hold the magazine in place.
2. Grasp the slide and pull it completely to the rear. The follower of the magazine should push up the slide catch/release lever, locking the slide to the rear.
3. Press the magazine catch/release. The magazine must fall free of the pistol under its own weight. Press the slide catch/release lever to release the slide to its forward position.

IF THE PISTOL IS NOT EQUIPPED WITH A MAGAZINE DISCONNECT, SKIP TO STEP 6.

4. With the pistol pointed in a safe direction, pull the trigger. Nothing should happen. Release the trigger.



5. Insert an empty magazine. Pull the trigger. The striker should release with an audible click.
6. Grasp the slide and pull it completely to the rear. Press the slide catch/release lever to release the slide.

IF THE PISTOL IS NOT EQUIPPED WITH A MANUAL SAFETY, SKIP TO STEP 11.

7. Push up on the manual safety lever to engage the safety.
8. Pull the trigger. The striker should NOT be released. Release the trigger.
9. Press down on the manual safety lever to disengage the safety.
10. Pull the trigger to the rear and HOLD. The striker should release and there should be an audible click.
11. With the trigger still pulled to the rear, pull the slide completely to the rear and release.
12. Release the trigger. There should be a light audible click as the striker resets.
13. Pull the trigger. The striker should release and there should be an audible click.

CAUTION

NEVER USE A FIREARM OR MAGAZINE THAT SHOWS SIGNS OF DAMAGE OR FAILS A FUNCTION CHECK. VERIFY THE MAGAZINE IS THE CORRECT MODEL AND CALIBER FOR THE PISTOL. IF THE CONDITION OR FUNCTION OF THE PISTOL OR MAGAZINE IS SUSPECT, RETURN THE PISTOL OR MAGAZINE TO SIG SAUER FOR EVALUATION.

13.0 PISTOL ADJUSTMENTS



WARNING UNLOAD/CLEAR



FAILURE TO ENSURE THE FIREARM IS UNLOADED AND CLEARED COULD RESULT IN UNINTENTIONAL DISCHARGE, CAUSING SERIOUS INJURY, DEATH, OR PROPERTY DAMAGE.

REMOVING THE MAGAZINE FROM THE FIREARM DOES NOT PREVENT A CHAMBERED ROUND FROM BEING FIRED UNLESS THE FIREARM IS EQUIPPED WITH A MAGAZINE DISCONNECT MECHANISM.

13.1 TORQUE SPECIFICATIONS

NOTE

Torque values will be listed as in-lbf for inch pounds of force and ft-lbf for foot pounds of force. If there is no Nylok® patch present on the fastener, use specified Loctite®.

Fasteners with Nylok patch are reusable. Do not remove Nylok patch if present. Fasteners with Loctite must have old Loctite removed and threads cleaned prior to applying new Loctite.

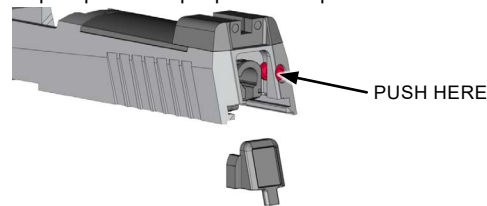


NOMENCLATURE	PAGE	QTY	in-lbf	nm	THREAD LOCKER OR EQUIVALENT
Sight Plate Screws	72	2	20	2.26	LOCTITE 243
Blanking Plate Screws	76	2	25	2.82	LOCTITE 243
Romeo Mounting Screws	79	2	25	2.82	LOCTITE 243
Barrel Compensator Threads	83	1	N/A	N/A	LOCTITE 246
Compensator Attachment Screws	84	2	20	2.26	LOCTITE 243
Magazine Funnel Screw	89	1	6	.67	LOCTITE 243
AXG Magazine Funnel Screw	89	1	11	1.24	LOCTITE 243
AXG Grip Screw	126	4	12	1.35	LOCTITE 243

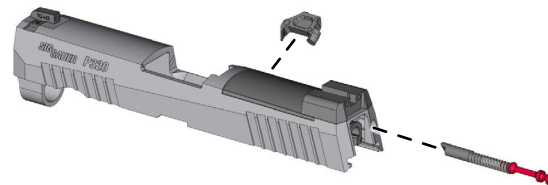
13.2 SIGHT PLATE REMOVAL AND INSTALLATION

13.2.1 SIGHT PLATE REMOVAL

1. Disassemble the pistol. See **10.1 Pistol Disassembly on page 47**.
2. Push in on the extractor plus pin with a pin punch and pull the rear slide cap down and out of the slide.

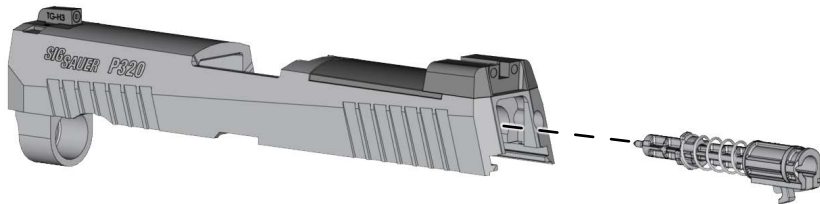


3. Remove the extractor plus pin, extractor spring, extractor pin, and extractor from slide.

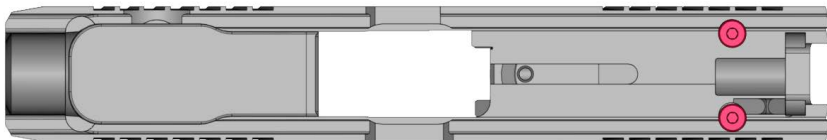




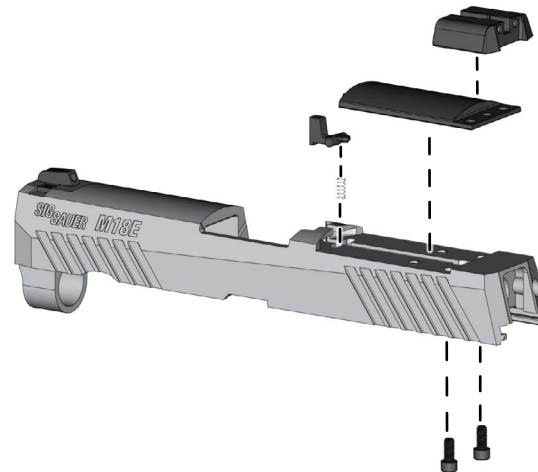
4. Remove the striker assembly from the slide.



5. Using a 3/32 in. hex drive bit, remove the sight plate screws from the bottom of the slide.



6. Lift the sight and plate from the slide to expose the LCI post (if equipped), then remove the LCI post and spring from the slide.



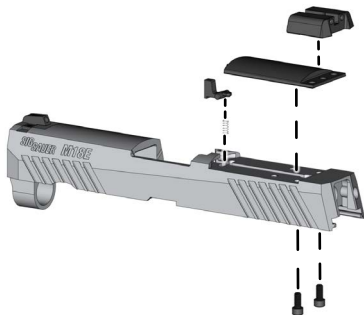


13.2.2 SIGHT PLATE INSTALLATION

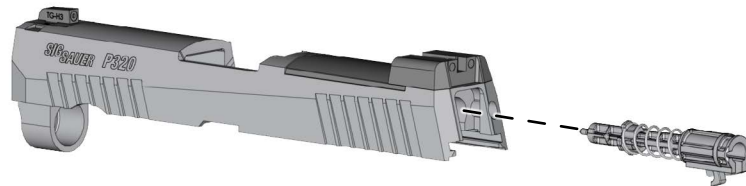
NOTE

The sight plate screws are for securing the rear sight and sight plate only.

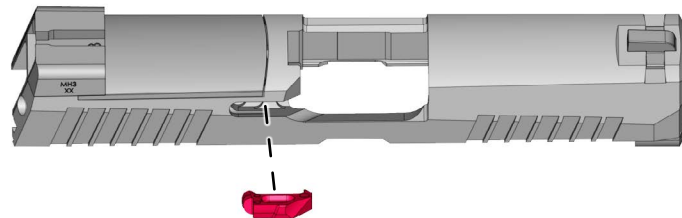
1. Install LCI post and spring into slide.
2. Install sight plate and sight onto slide and hold LCI post and spring in place.
3. Insert sight plate screws into the bottom of slide and tighten to 20 in-lbf using a 3/32 in. hex drive bit.



4. Insert the striker assembly into the rear of the slide.

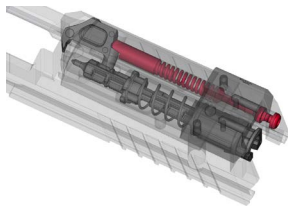


5. Insert the extractor into the right side of the slide.

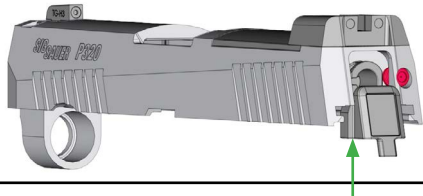




6. Insert the extractor pin, extractor spring, and extractor plus pin into the channel on the right side of the slide. Ensure the flat surface of the extractor pin rests on the post of the extractor.



7. Start the rear slide cap up into the slots in the rear of the slide. Press the extractor plus pin inward and push the rear slide cap the remaining way into slide. Release pressure on the extractor plus pin.



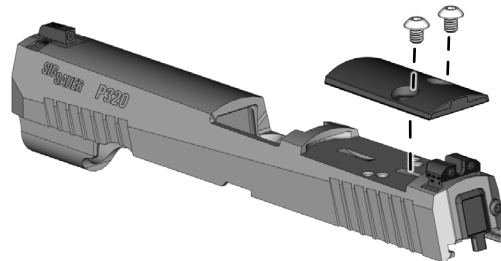
13.3 BLANKING PLATE REMOVAL AND INSTALLATION

13.3.1 BLANKING PLATE REMOVAL

1. Using a T20 drive bit, remove the blanking plate screws from the top of the slide.



2. Remove the blanking plate.



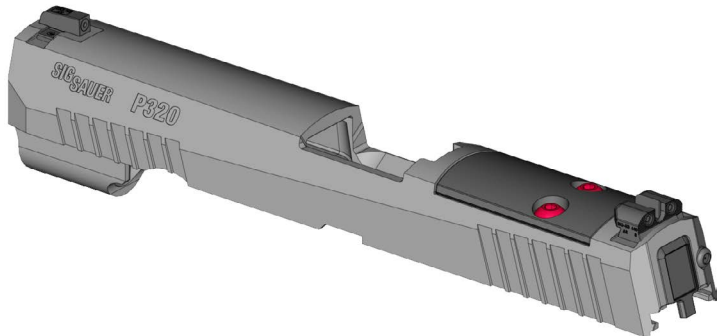


13.3.2 BLANKING PLATE INSTALLATION

NOTE

The blanking plate screws are for securing the blanking plate only.

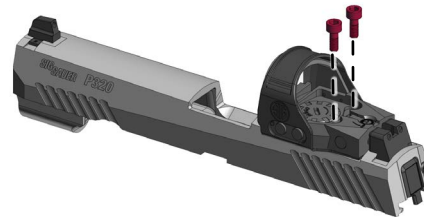
1. Place the blanking plate into its slot in the slide.
2. Insert blanking plate screws and tighten to 25 in-lbf using a T20 drive bit.



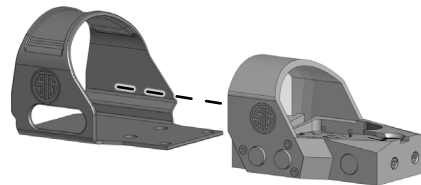
13.4 ROMEO RED DOT OPTIC REMOVAL AND INSTALLATION

13.4.1 ROMEO REMOVAL

1. Using a 1/8 in. hex drive bit, remove the ROMEO mounting screws from the top of the slide.



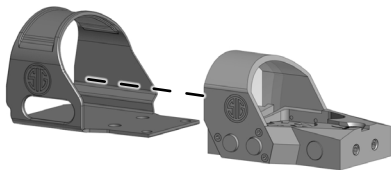
2. Remove the ROMEO from the slide and pull it out of the shroud (if equipped).



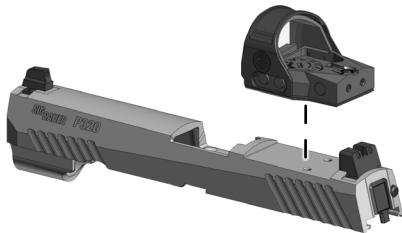


13.4.2 ROMEO INSTALLATION

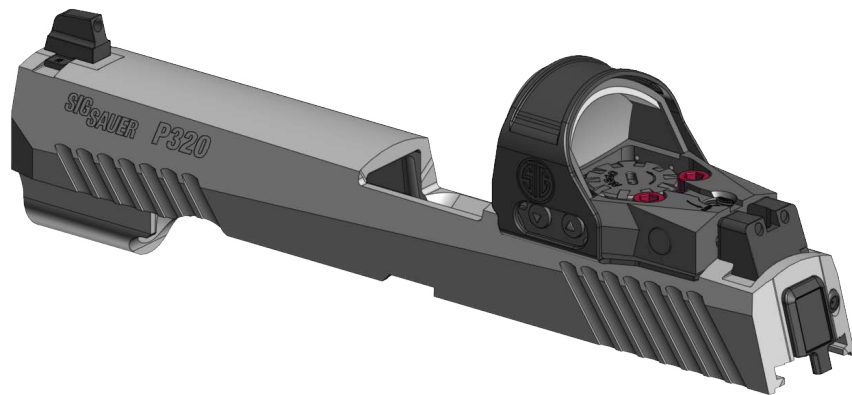
1. Insert the ROMEO into the shroud (if equipped).



2. Place the ROMEO and shroud assembly on the slide, aligning the screw holes.



3. Install the ROMEO screws with a 1/8 in. hex drive bit and torque to 25 in-lbf.
4. Refer to the ROMEO manual for zeroing and sight adjustments.





13.5 COMPENSATOR REMOVAL AND INSTALLATION

13.5.1 COMPENSATOR REMOVAL

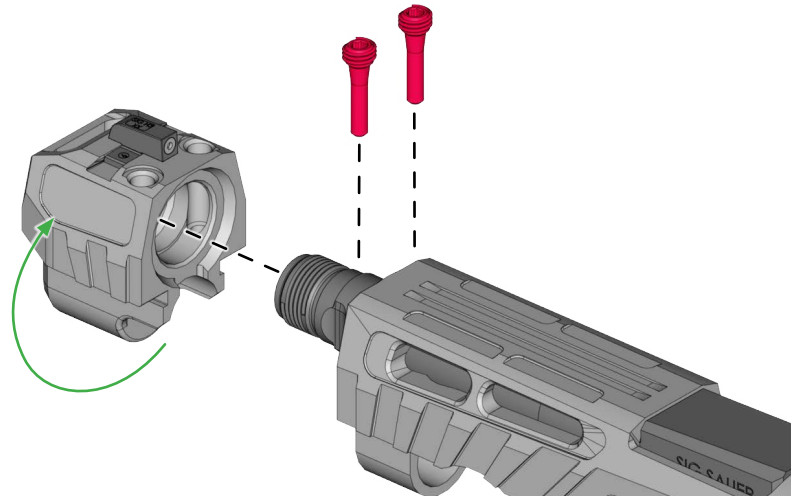
CAUTION

ENSURE THE COMPENSATOR SCREWS ARE REMOVED PRIOR TO ATTEMPTING TO REMOVE THE COMPENSATOR FROM THE BARREL. FAILURE TO DO SO WILL RESULT IN DAMAGE TO THE FIREARM.

NOTE

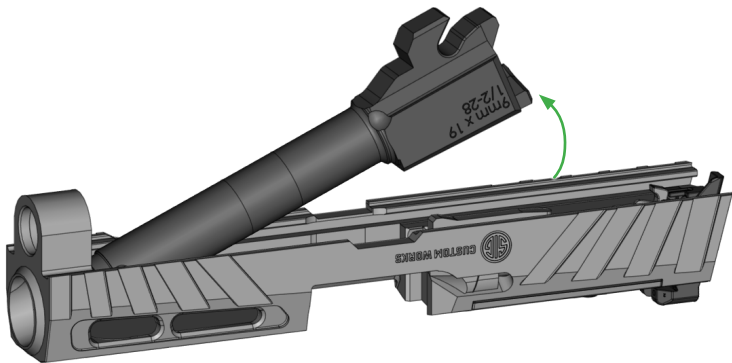
Removing the compensator is not required for normal preventive maintenance of the pistol. Compensator removal and replacement should only be performed should the compensator need cleaning or become loose during shooting.

1. Use a drive bit handle with a T10 Torx drive bit to remove compensator attachment screws.
2. Unscrew the compensator to remove it from the barrel.





3. Remove the barrel from the slide.



13.5.2 COMPENSATOR INSTALLATION

NOTE

Before installing the compensator, clean and degrease the threads of the barrel and compensator.

1. Insert the barrel into the slide.
2. Apply LOCTITE 246 to the threads of the barrel and compensator.
3. Thread the compensator onto the barrel until it stops. Unscrew the compensator until the vertical slots in the barrel align with the screw holes in the compensator.





- Using a T10 Torx drive bit, install the compensator attachment screws into the compensator and torque to 20 in-lbf. Ensure the compensator is secured to the barrel.



13.6 MAGAZINE CATCH/RELEASE REMOVAL AND INSTALLATION



WARNING UNLOAD/CLEAR



FAILURE TO ENSURE THE FIREARM IS UNLOADED AND CLEARED COULD RESULT IN UNINTENTIONAL DISCHARGE, CAUSING SERIOUS INJURY, DEATH, OR PROPERTY DAMAGE.

REMOVING THE MAGAZINE FROM THE FIREARM DOES NOT PREVENT A CHAMBERED ROUND FROM BEING FIRED UNLESS THE FIREARM IS EQUIPPED WITH A MAGAZINE DISCONNECT MECHANISM.

13.6.1 MAGAZINE CATCH/RELEASE REMOVAL

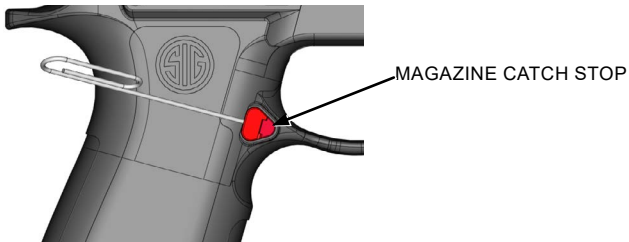
NOTE

This procedure can be performed with or without the slide removed from the pistol.

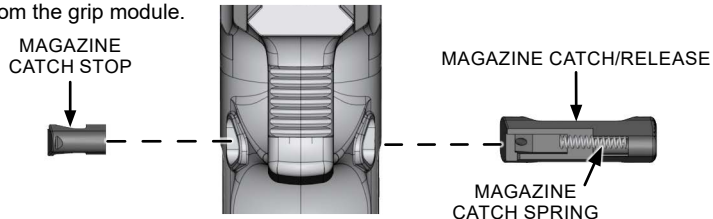
- Ensure that the magazine is removed and the pistol is unloaded and cleared. See **9.8 Unloading and Clearing the Pistol on page 41**.
- Press the magazine catch/release button until the opposite side protrudes from the grip module. A small hole should be visible in the back of the catch/release.



3. Press the end of a small round pin, such as a paper clip, into the hole of the magazine catch/release button. This will release the magazine catch stop.
4. Work the magazine catch stop out of magazine catch/release with the pin using a back-and-forth motion.



5. Remove the magazine catch stop, magazine catch/release, and the magazine catch spring from the grip module.

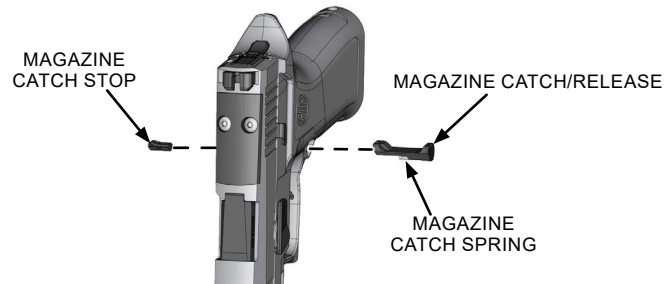


13.6.2 MAGAZINE CATCH/RELEASE INSTALLATION

NOTE

Holding the pistol with the muzzle facing downward will aid in keeping the magazine catch/release and spring in place for ease of installation.

1. Insert the magazine catch/release and the spring into the desired side of the grip module and completely depress the magazine catch/release.
2. Insert the magazine catch stop into the magazine catch/release until it snaps into place. Release the magazine catch/release.



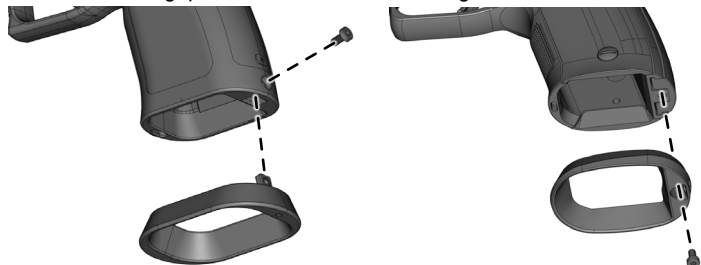


13.7 MAGAZINE FUNNEL REMOVAL AND INSTALLATION

Some P320 pistols come with a detachable magazine funnel. This magazine funnel facilitates faster reloading of the pistol. A magazine funnel requires the use of extended magazines or magazines with extended floorplates in order to ensure the inserted magazine is properly seated in the grip module.

13.7.1 MAGAZINE FUNNEL REMOVAL

1. For standard magazine funnels, use a T10 Torx drive bit to remove the funnel screw from the rear of the grip module and detach the magazine funnel.
2. For AXG magazine wells, use a T10 Torx drive bit to remove the funnel screw from the bottom of the grip module and detach the magazine funnel.



STANDARD MAGAZINE FUNNEL

AXG MAGAZINE FUNNEL

13.7.2 MAGAZINE FUNNEL INSTALLATION

1. Insert tabs of magazine funnel into appropriate slots in bottom of grip module.
2. For standard magazine funnel screw, use a T10 Torx drive bit to thread funnel screw into rear of grip module and tighten to 6 in-lbf.
3. For AXG magazine funnel screw, use a T10 Torx drive bit to thread funnel screw into bottom of grip module and tighten to 11 in-lbf.



STANDARD MAGAZINE FUNNEL



AXG MAGAZINE FUNNEL

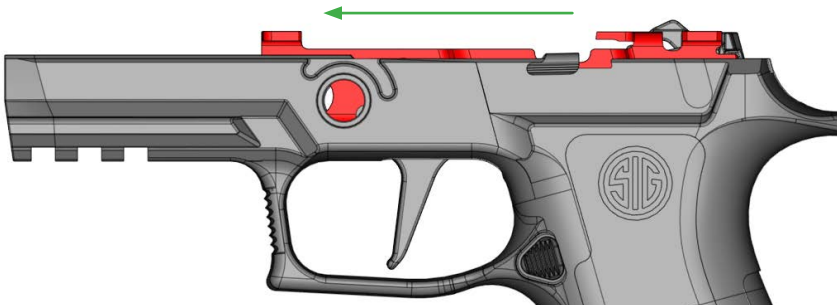


13.8 FIRE CONTROL UNIT (FCU) REMOVAL AND INSTALLATION

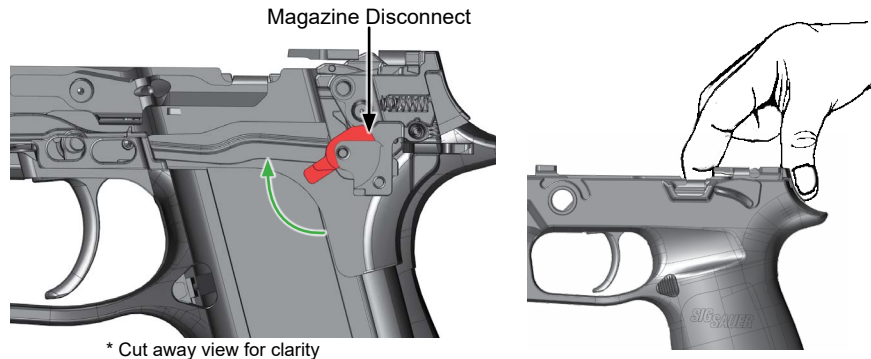
13.8.1 FCU REMOVAL

1. Remove the slide assembly. Disassembling the barrel, recoil spring, and recoil spring guide is not necessary. See **10.1 Pistol Disassembly on page 47**.
2. Rotate and pull the takedown lever outward simultaneously to remove.
3. Push the FCU forward.

IF THE PISTOL IS NOT EQUIPPED WITH A MAGAZINE DISCONNECT MECHANISM, SKIP TO STEP 5.

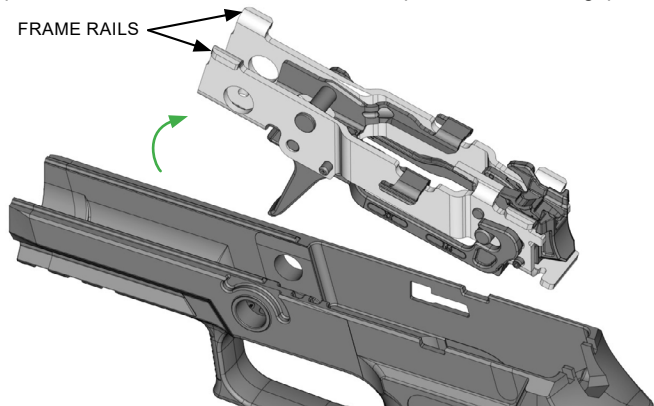


4. To overcome the magazine disconnect for disassembly, access the magazine disconnect mechanism through the magazine well of the grip module. Slightly lift the magazine disconnect while applying pulling on the trigger, allowing it to clear the rectangular cutout in the grip module.





5. Pull up on the frame rails, then rotate the FCU up and out from the grip module.

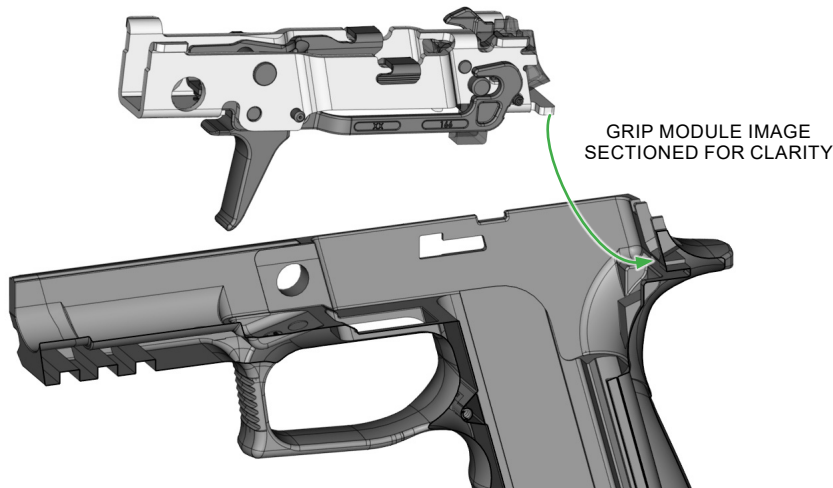


CAUTION

NO FURTHER DISASSEMBLY OF THE FIRE CONTROL UNIT (FCU) IS AUTHORIZED.

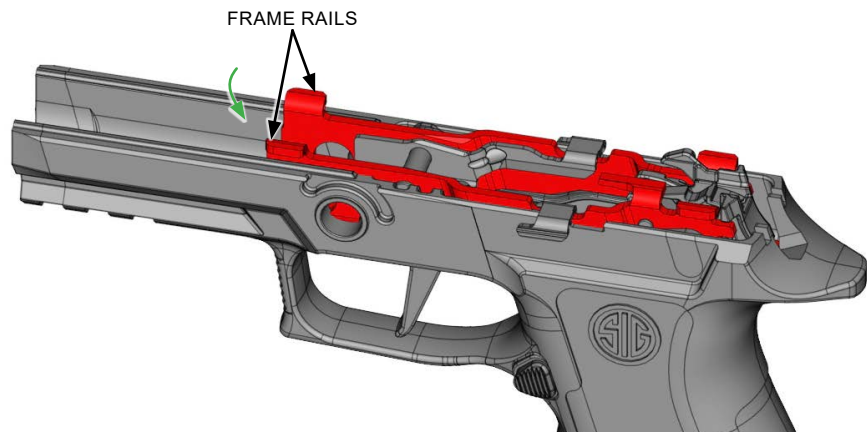
13.8.2 FCU INSTALLATION

1. Insert the FCU locking tab into the mating slot inside the rear of the grip module.

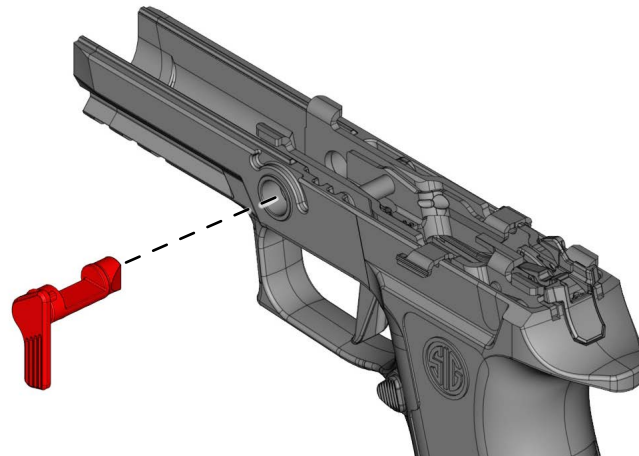




2. Press down on the frame rails and pivot the FCU into position.



3. Insert the takedown lever (turn and push simultaneously) through the grip module and FCU, locking the fire control unit in place.



4. Assemble the pistol. See **10.3 Pistol Assembly on page 57.**

**14.0 SIGHTS****WARNING TRITIUM SIGHTS****SPECIAL CONSIDERATIONS FOR DAMAGED NIGHT SIGHTS**

SOME SIG SAUER PISTOLS COME EQUIPPED WITH SIGHTS THAT CONTAIN RADIOACTIVE MATERIAL FOR ILLUMINATION DURING LOW LIGHT CONDITIONS (“NIGHT SIGHTS”). THESE SIGHTS ARE COMMONLY MARKED “H3”. THE RADIATION SOURCE IS HYDROGEN-3 (H3), ALSO KNOWN AS TRITIUM, CONTAINED IN A SEALED VIAL. SIG SAUER NIGHT SIGHTS CONTAIN LESS THAN 90MCI OF TRITIUM AND MEET THE UNITED STATES NUCLEAR REGULATORY COMMISSION (NRC) REQUIREMENT 10 CFR 32.23.

THE OPERATIONAL TEMPERATURE RANGE OF SIG SAUER TRITIUM SIGHTS IS -30°C/-22°F TO +60°C/+140°F. THE BETA RADIATION EMITTED BY TRITIUM IS ONLY A HAZARD IF THE TRITIUM VIAL IS BROKEN AND INGESTED OR INHALED. THE BODY DOES NOT EASILY RETAIN HYDROGEN OR TRITIUM AS A GAS. HOWEVER, THE BURNING OF TRITIUM PRODUCES TRITIUM OXIDE WHICH IS 10,000 TIMES MORE HAZARDOUS. FOR THIS REASON, GREAT CARE SHOULD BE TAKEN TO AVOID FLAME IN THE PRESENCE OF DAMAGED TRITIUM SIGHTS.



AFTER CONTACT WITH A SUSPECTED DAMAGED TRITIUM SIGHT, CAREFULLY WASH HANDS WITH SOAP AND WATER. DO NOT HANDLE DAMAGED SIGHTS WITH OPEN SKIN CUTS OR ABRASIONS. DO NOT EAT, DRINK, SMOKE OR APPLY COSMETICS IN THE PRESENCE OF DEFECTIVE OR DAMAGED TRITIUM NIGHT SIGHTS.

**WARNING TRITIUM SIGHTS**

**SPECIAL HANDLING FOR REPAIR, RETURN, OR DISPOSAL
END USER IS EXEMPT FROM ANY REGULATORY RESPONSIBILITY.
USE ONLY A PROPER SIGHT INSTALLATION/PUSHER TOOL. USE OF A PUNCH MAY
DAMAGE THE TRITIUM VIAL.**

**DO NOT ATTEMPT TO DISASSEMBLE OR REPAIR A TRITIUM NIGHT SIGHT.
TRITIUM NIGHT SIGHTS ARE EXPECTED TO LOSE APPROXIMATELY HALF THEIR
BRIGHTNESS AFTER 5 YEARS. TRITIUM NIGHT SIGHTS SHOULD BE DISPOSED OF
IN ACCORDANCE WITH LOCAL REGULATIONS AND SHOULD NEVER BE BURNED.**

**SIG SAUER WILL RESPONSIBLY DISPOSE OF OLD OR DAMAGED TRITIUM NIGHT
SIGHTS.**

**PLEASE CONTACT SIG SAUER CUSTOMER SERVICE FOR INSTRUCTIONS TO
RETURN OLD OR DAMAGED NIGHT SIGHTS FOR DISPOSAL OR TO OBTAIN
RETURN MERCHANDISE AUTHORIZATION FOR REPAIR OR RETURN OF ITEMS
STILL UNDER WARRANTY.**



14.1 GENERAL INFORMATION

The SIG SAUER P320 pistol is equipped with drift adjustable fixed sights. The sights consist of a rear sight and a front sight blade, designed and dimensioned to ensure rapid target acquisition even when visibility is poor. Some P320 models are equipped with a fully adjustable rear sight.

CAUTION

SIG SAUER SUGGESTS THAT FIXED-SIGHT CORRECTIONS SHOULD BE PERFORMED ONLY BY A CERTIFIED SIG SAUER ARMORER. FAILURE TO COMPLY COULD CAUSE DAMAGE TO THE PISTOL.

NOTE

SIG SAUER has a Sight Adjustment Tool available that makes it easier to adjust and change fixed sights.

14.2 WINDAGE (LEFT/RIGHT) ADJUSTMENT

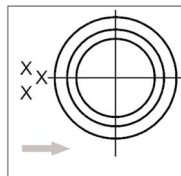


WARNING SIGHT ADJUSTMENT



SIGHT CORRECTIONS SHOULD BE PERFORMED ONLY ON AN UNLOADED FIREARM. MANIPULATING THE SIGHTS ON A LOADED FIREARM COULD RESULT IN UNINTENTIONAL DISCHARGE, CAUSING SERIOUS INJURY, DEATH, OR PROPERTY DAMAGE. VISUALLY AND PHYSICALLY CONFIRM THAT THE PISTOL IS UNLOADED AND CLEARED BEFORE MAKING SIGHT ADJUSTMENTS. DO NOT ADJUST SIGHTS ON A LOADED FIREARM.

Change the windage by moving the rear sight either to the left or right in its dovetail. When adjusting sights, remember this rule: Move the rear sight in the desired direction. Moving the rear sight 0.020" in the dovetail changes the point of impact by approximately 3" at 25 yards.



IMPACT LEFT OF POINT OF AIM

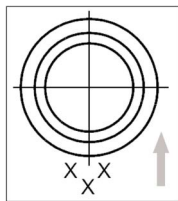


14.3 ELEVATION (UP/DOWN) ADJUSTMENT

There are different height combinations available for the front and rear sights. The sights are numbered according to their height. Elevation can be adjusted by changing either the rear or front sight. It is easier to change the rear sight first.

There are six rear sight heights available. Each rear sight change will move the impact of the bullet approximately 2" at 25 yards.

There are five front sight heights available. Each front sight change will move the impact of the bullet approximately 1" at 25 yards.



IMPACT BELOW POINT OF AIM

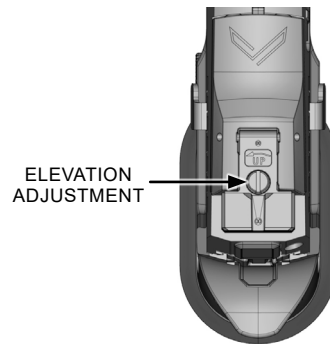
When changing sights, remember this rule: NUMBERS UP, GROUPS UP; NUMBERS DOWN, GROUPS DOWN. This is true for both front & rear sights.

14.4 SIGHT ADJUSTMENT (P320 XSERIES PISTOL)

Some P320 pistols have a fully adjustable rear sight.

Elevation: Rotated the elevation adjustment screw counterclockwise to raise the rear sight, moving the point of impact up. Rotate the screw clockwise to lower the rear sight, moving the point of impact down.

Windage: Rotate the windage screw counterclockwise to move the rear sight aperture left, moving the point of impact left. Rotate the screw clockwise to move the rear sight aperture right, moving the point of impact right.



WINDAGE ADJUSTMENT





15.0 STORAGE AND TRANSPORTATION



WARNING STORAGE

NEVER PLACE OR STORE ANY FIREARM IN SUCH A MANNER THAT IT MAY BE DISLODGED. FIREARMS SHOULD ALWAYS BE STORED, LOCKED, UNLOADED, SEPARATE FROM THEIR AMMUNITION, AND INACCESSIBLE TO CHILDREN AND ANY OTHER UNAUTHORIZED PERSON. THE USE OF A LOCKING DEVICE OR SAFETY LOCK IS ONLY ONE ASPECT OF RESPONSIBLE FIREARMS STORAGE. FAILURE TO PROPERLY STORE FIREARMS MAY CAUSE SERIOUS INJURY OR DEATH TO SELF OR OTHERS, OR PROPERTY DAMAGE.

Short Term Storage (90 days or less)

1. Ensure the chamber and magazine do not contain live ammunition.
2. Clean the bore and chamber
3. Apply a generous coat of CLP[®] to the chamber and bore.
4. Apply a light coat of CLP[®] to all other metal surfaces for corrosion protection.

Long Term Storage (90 days or longer)

1. Ensure the firearm is thoroughly cleaned.
2. Apply a medium coat of CLP[®] to the chamber and bore.
3. Apply a light coat of CLP[®] to all other metal surfaces for corrosion protection.
4. Wrap the firearm with a waterproof material.
5. Place the firearm in a corrosion resistant barrier bag.

Environmental Storage Recommendations (Armory)

Provide humidity control to limit the relative humidity to no greater than 40% at 80°F (26.7°C). If personnel will be working in these areas, design to 68°F (20.0°C) dry bulb and 40% RH for indoor design heating conditions, and 75°F (23.9°C) dry bulb and 40% RH for indoor design cooling conditions.



16.0 TROUBLESHOOTING GUIDE



WARNING STOPPAGE



STOP FIRING IMMEDIATELY. UNLOAD AND CLEAR THE FIREARM.

A stoppage is an interruption in a firearm's cycle of function that can be cleared by the operator taking immediate action. Immediate action consists of steps taken by the operator to place the firearm back in service without investigating the cause of the stoppage.

When practical, always stop shooting and investigate the cause of a stoppage in the manner outlined below.

If the firearm develops a stoppage while shooting, or a discharged round sounds or feels unusual, stop shooting immediately. It may be dangerous to continue. Do not try one more shot. Keep the firearm pointed in a safe direction and unload and clear the firearm immediately by removing the magazine, locking the slide to the rear and clearing any expended or live ammunition from the firearm, visually and physically checking the chamber, breech face, and magazine well.

With the firearm unloaded and cleared, perform an additional visual inspection of the firearm and the ammunition. If a bore obstruction exists, refer to **16.1 Obstructed Bore on page 105**. If damage to the firearm is found, the stoppage persists, or a malfunction is suspected, take the firearm to a certified SIG SAUER Armorer for service.

16.1 OBSTRUCTED BORE



WARNING OBSTRUCTED BORE



STOP FIRING IMMEDIATELY AND KEEP THE FIREARM POINTED IN A SAFE DIRECTION. UNLOAD AND CLEAR THE FIREARM. DO NOT FIRE ANOTHER ROUND UNTIL THE OBSTRUCTION IS CLEARED. FAILURE TO COMPLY CAN RESULT IN SERIOUS INJURY OR DEATH TO THE OPERATOR AND/OR OTHERS AND CATASTROPHIC DAMAGE TO THE FIREARM.

Immediately stop shooting and keep the firearm pointed in a safe direction whenever:

- There is difficulty or unusual resistance in chambering a cartridge;
- A cartridge misfires (does not go off);
- The mechanism fails to extract a fired cartridge case;
- Unburned grains of propellant powder are discovered spilled in the mechanism;
- A shot sounds weak or abnormal.

It is possible that a bullet is lodged part way down the barrel. If a bullet is in the bore, do not attempt to shoot it out by using another cartridge or by blowing it out with a blank or a cartridge from which the bullet has been removed. Bullets can become lodged in the barrel when the cartridge has been improperly loaded without propellant powder, the powder fails to ignite, or the bullet was not properly seated in the cartridge case.



Immediately unload and clear the firearm. Field strip the firearm and look through the bore of the barrel. It is not sufficient to merely look in the chamber; a bullet may be lodged some distance down the barrel where it cannot easily be seen. Attempt to remove the bullet by tapping it out with a cleaning rod. If the bullet can be removed, clean any unburned powder grains from the bore, chamber, and mechanism before resuming shooting. If the bullet cannot be dislodged, take the firearm to a certified SIG SAUER Armorer.

16.2 COOK-OFF**WARNING COOK-OFF**

COOK-OFF IS DEFINED AS A CHAMBERED CARTRIDGE DETONATING DUE TO THE HEAT OF THE BARREL. FAILURE TO COMPLY WITH THE BELOW LISTED STEPS COULD RESULT IN DEATH, SERIOUS INJURY, OR PROPERTY DAMAGE.

If the pistol stops firing with a live cartridge in the chamber of a hot barrel due to a misfire or stoppage:

1. Engage the manual safety.
2. Keep the muzzle pointed in a safe direction to ensure the user or any other person would not be injured by the possibility of a cartridge “cooking off”.
3. Immediately release the magazine and chambered cartridge.
4. If the cartridge cannot be removed within 10 seconds, keep the muzzle pointed in a safe direction and wait at least 15 minutes.

16.3 GENERAL TROUBLESHOOTING

Stoppage	Cause	Correction
Failure to Feed		
No cartridge fed into chamber. Cartridge partially still in magazine.	Magazine not properly inserted or is deformed.	Correctly insert magazine or replace magazine.
	Damaged/broken magazine spring.	Replace magazine.
	Relaxed grip / shooter induced.	Increase grip on pistol.
Failure to Chamber		
Cartridge is free from magazine but not fully seated into chamber.	Dirty chamber.	Clean chamber.
	Damaged ammunition.	Replace ammunition.
	Weak or broken recoil spring guide assembly.	Return to SIG SAUER for repair.
	Relaxed grip / shooter induced.	Adjust or tighten grip on pistol.
Failure to Fire		
Trigger is pressed but no detonation.	Faulty ammunition.	Replace ammunition.
	Slide not fully locked forward.	Pull slide to rear and release.
	Damaged/broken striker assembly.	Return to SIG SAUER for repair.



Stoppage	Cause	Correction
Failure to Fire		
Trigger is pressed but no detonation.	Magazine not fully inserted on models equipped with magazine disconnect mechanism.	Properly insert magazine into magazine well.
Failure to Extract		
Expendable case remains in chamber.	Dirty chamber.	Clean chamber/bore.
	Broken extractor or extractor spring.	Return to SIG SAUER for repair.
Failure to Eject		
Expendable case remains in ejection port.	Damaged/broken ejector/slide catch/release lever.	Return to SIG SAUER for repair.

16.4 MINIMIZING STOPPAGES

- Most stoppages can be minimized by cleaning and lubricating the pistol. See **10.2 Cleaning and Lubricating on page 52.**
- Cleaning and lubricating the firearm after each range session will reduce the chances of a stoppage due to dirt and residue buildup.
- Perform maintenance if the firearm is exposed to extreme environmental conditions (rain, snow, freezing temperatures, etc.).
- Periodically inspect the pistol if it is to be stored for extended periods of time without use.
- Most stoppages are directly related to the magazine. Perform maintenance on the magazines as well as the firearm. See **11.1 Magazine Disassembly on page 61.**
- A good practice is to mark the magazines so a magazine that is related to a stoppage can be easily identified.



17.0 REPLACEMENT PARTS POLICY



WARNING

IT IS THE PURCHASER'S RESPONSIBILITY TO BE ABSOLUTELY CERTAIN THAT ANY PARTS ORDERED FROM THE FACTORY ARE CORRECTLY FITTED AND INSTALLED. FIREARMS ARE COMPLICATED MECHANISMS AND IMPROPER FITTING OF PARTS MAY RESULT IN A DANGEROUS MALFUNCTION, DAMAGE TO THE FIREARM, AND SERIOUS INJURY TO THE SHOOTER AND OTHER PERSONS. THE PURCHASER AND INSTALLER OF PARTS MUST ACCEPT FULL RESPONSIBILITY FOR THE CORRECT ADJUSTMENT AND FUNCTIONING OF THE FIREARM AFTER SUCH INSTALLATION.

Parts Policy

Our Service Department maintains a full complement of replacement parts. Even though most gunsmiths have the knowledge, training, and the ability to make necessary repairs to the firearm, the skill and workmanship of any particular third-party gunsmith is totally beyond our control.

Should the firearm ever require service, it is strongly recommended that it be returned to SIG SAUER Inc. A firearm is a precision instrument and some replacement parts will require individual fitting to ensure correct operation. A wrong part, improper fitting, or incorrect mechanical adjustment may result in an unsafe condition or dangerous malfunction, damage to the firearm, or cause possible serious injury to the shooter or others.

IF ANY PART IS ORDERED WITHOUT RETURNING THE FIREARM TO SIG SAUER, Inc. the customer bears full responsibility for ensuring that the part supplied is correct for their particular firearm and is properly installed and fitted by a qualified gunsmith.

SIG SAUER INC. IS NOT RESPONSIBLE FOR THE FUNCTIONING OF ANY FIREARM IN WHICH REPLACEMENT PARTS ARE INSTALLED BY OTHERS.

THE USE OF AFTERMARKET PARTS IS NOT AUTHORIZED AND WILL VOID THE WARRANTY OF THIS FIREARM. THE REPLACEMENT OF ORIGINAL EQUIPMENT MANUFACTURER (OEM) SIG SAUER PARTS WITH AFTERMARKET PARTS IS UNAUTHORIZED AND IN SOME INSTANCES COULD ALTER THE FUNCTION OF THE FIREARM, CREATING A DANGER TO THE OPERATOR.

Scan the QR code below to visit the Small Parts Shopper page at sigsauer.com.





18.0 FACTORY REPAIR OF THE FIREARM

Contact Customer Service for questions or concerns regarding the performance or serviceability of the firearm. There are three ways to contact Customer Service: Have the firearm's serial number available before contacting Customer Service.

1. Call (603) 610-3000, choose option 1.
2. Email CustomerService@sigsauer.com.
3. Go to <https://www.sigsauer.com/customer-support> to message Customer Service electronically. Scan the QR code below to visit the Customer Support page at sigsauer.com.



18.1 RETURNING FIREARMS FOR REPAIR

Do not ship a firearm without an RMA number provided by Customer Service.



WARNING DO NOT SHIP AMMUNITION

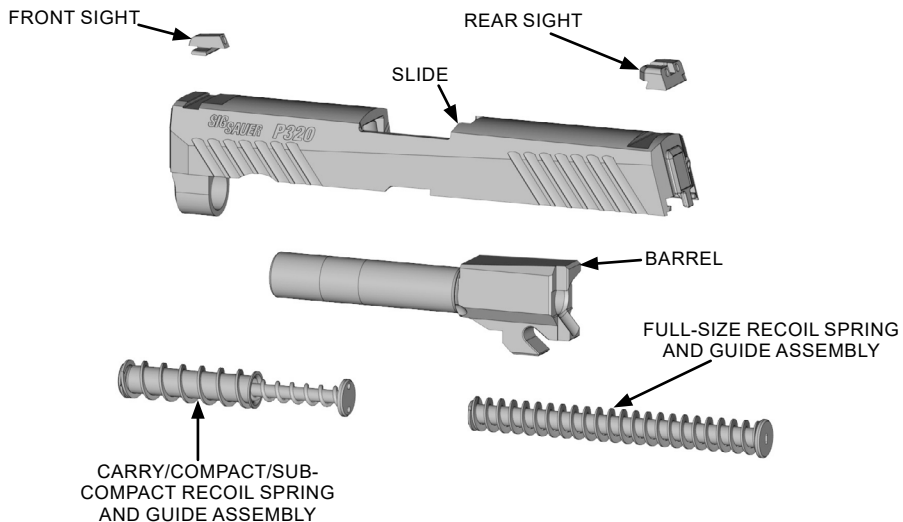


BEFORE SHIPPING ANY FIREARM, BE ABSOLUTELY CERTAIN THAT THE FIREARM AND MAGAZINES ARE UNLOADED. DO NOT SHIP AMMUNITION WITH A FIREARM.

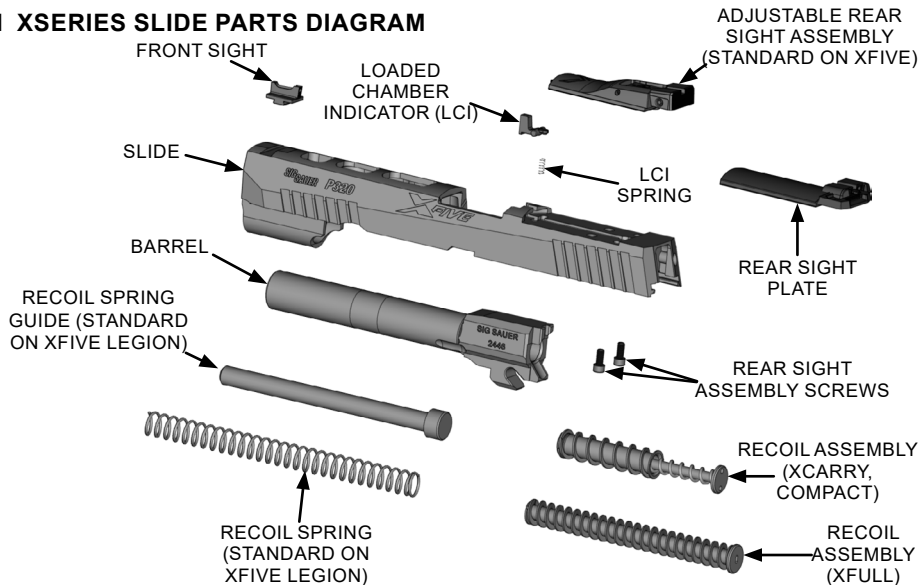
1. The RMA number allows SIG SAUER to track the status of the return from the time SIG SAUER receives the firearm until it is returned.
2. Package the firearm securely to prevent damage.
3. Do not include any accessories such as scopes or mounts unless directed to do so.
4. Some states and localities, require firearms to be shipped and returned to SIG SAUER using a federally licensed firearms dealer.
5. Federal law prohibits persons who do not possess a Federal Firearms License (FFL) from shipping a firearm via the U.S. Postal Service.
6. Any shipment of firearms outside U.S. borders is subject to the export laws of the United States and to the valid laws of the specific country.
7. SIG SAUER is not responsible for any damage to a firearm during shipping until it is received.
8. Firearms must be insured and prepaid prior to shipment (SIG SAUER does not accept collect shipments) to the address provided by Customer Service.



19.0 STANDARD SLIDE PARTS DIAGRAM

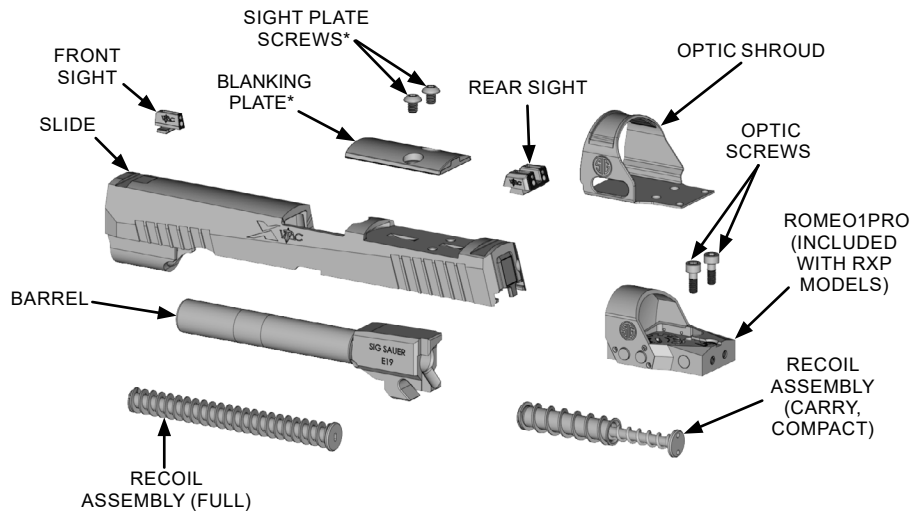


19.1 XSERIES SLIDE PARTS DIAGRAM



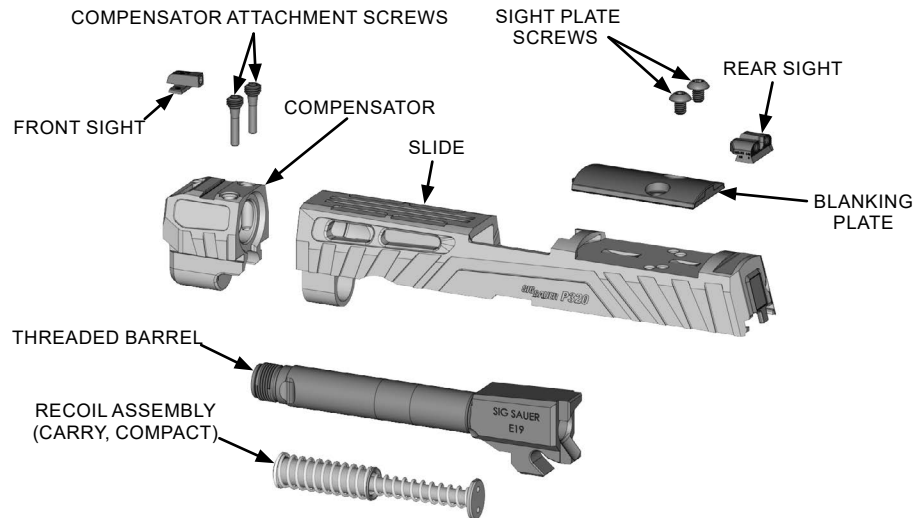


19.2 P320-RXP/XVTAC SLIDE PARTS DIAGRAM



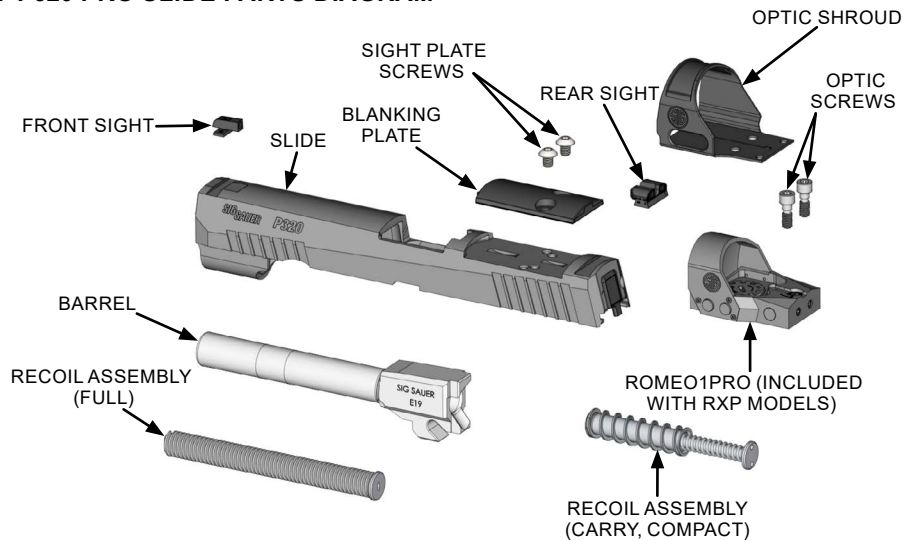
* Blanking plate and screws included with XSERIES RXP. Optional on standard RXP models.

19.3 P320 SPECTRE COMPENSATED SLIDE PARTS DIAGRAM

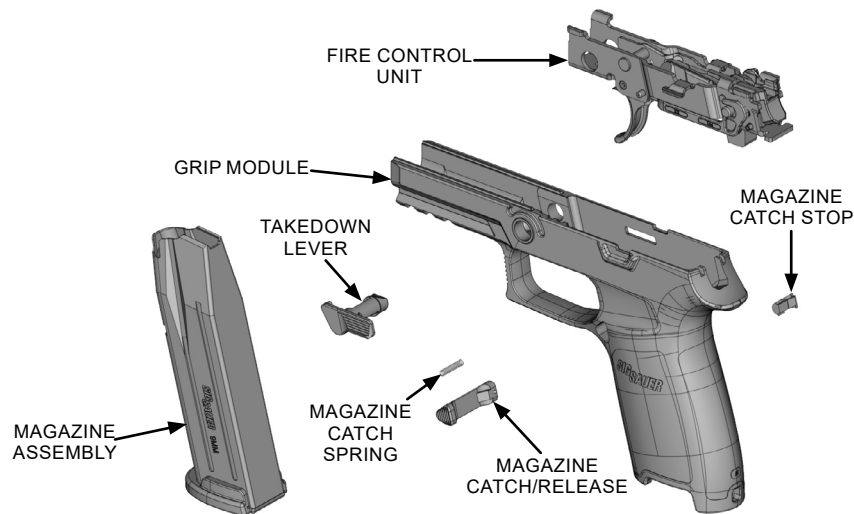




19.4 P320 PRO SLIDE PARTS DIAGRAM



19.5 STANDARD FRAME PARTS DIAGRAM





19.6 XSERIES FRAME PARTS DIAGRAM



SIG SAUER INFINITE GUARANTEE™

For warranty information on new SIG SAUER firearms, scan the QR code below to visit the SIG SAUER Warranty Information and Registration page. New firearms can also be registered and warranty information can be found on the website.





NOTES:

NOTES:

SIG SAUER®

sigsauer.com

**SIG SAUER, Inc.
72 Pease Boulevard, Newington, NH 03801 USA**

All trademarks, service marks, trade names, trade dress, product names, and logos appearing in this manual are the property of their respective owners. No trademark or service mark appearing in this manual may be used without written consent of the mark's owner.