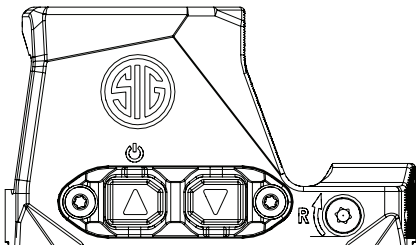


# SIGSAUER®



## **ROMEO-X**

**COMPACT and PRO Open Reflex Sights**  
**OPERATOR'S MANUAL**



**READ THE INSTRUCTIONS AND WARNINGS IN THIS MANUAL CAREFULLY BEFORE USING THIS OPTIC; DO NOT DISCARD THIS MANUAL.**

## TABLE OF CONTENTS

Introduction.....	3
Contents .....	4
Key Features .....	5
ROMEO-X Product Identification.....	6
Operation.....	9
Mounting the Sight.....	11
Sight Adjustments and Zeroing .....	13
Maintenance .....	15
Troubleshooting.....	16
Specifications .....	17
SIG SAUER Electro-Optics Infinite Guarantee .....	18
SIG SAUER Electronic Component Limited 5-Year Warranty.....	20

## INTRODUCTION

Designed, developed, tested and assembled in the USA, the ROMEO-X open reflex sights are rugged pistol optics that are packed with features. The COMPACT model fits all Shield RMS-c footprints and the PRO model fits all DeltaPoint<sup>®</sup> PRO footprints.

The ROMEO-X features a high-efficiency point source LED emitter and aspherical glass lens, utilizing a high-performance red notch reflector coating for excellent brightness and light transmission with zero distortion. Either a circle/dot, 6 MOA red dot, or 3 MOA green dot reticle with 15 brightness settings ensures rapid target engagement with both eyes open, for maximum situational awareness. D.A.R.C. (Dark Adaptive Reticles & Coatings) technology provides the ideal reticle brightness and target clarity while using GEN3+ night vision devices. MOTAC (Motion Activated Illumination) automatically shuts the optic off after 2 minutes of inactivity, then automatically turns it back on when motion is detected. The common CR1632 battery is accessed from the side of the optic, making battery changes easy, without the need to remove the optic from the firearm.

The ROMEO-X is covered by the SIG SAUER Electro-Optics Infinite Guarantee/Limited Lifetime Warranty and the SIG SAUER Electronic Component Limited 5-Year Warranty.



**WARNING: CANCER AND REPRODUCTIVE HARM—[www.P65warnings.ca.gov](http://www.P65warnings.ca.gov)**

## CONTENTS

- ROMEO-X COMPACT or PRO 1x24mm Open Reflex Sight
- CR1632 Battery
- Mounting Screws
  - M3 & M4 Torx® Mounting Screws (COMPACT)
  - M4 Torx Mounting Screws (PRO)
- T6 & T10 Torx Wrenches
- Operator's Manual



Scan the QR code to visit [sigsauer.com](https://sigsauer.com) where you will find additional information about SIG SAUER products, SIG SAUER Academy and the SIG Experience Center, Special Programs, and additional support.

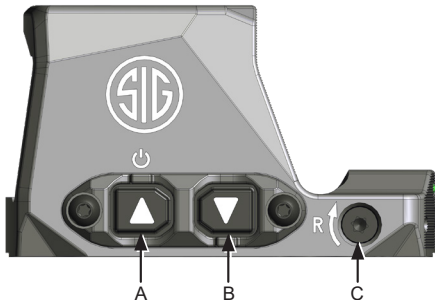
## KEY FEATURES

- 7075 Aluminum housing with integrated rear sight notch (COMPACT Model includes fiber optics).
- Extremely low deck height, allowing a full sight picture and co-witness with standard-height sights.
- High-efficiency point source LED emitter, with 2 MOA red dot/32 MOA red circle (circle/dot), 6 MOA red dot, or 3 MOA green dot reticle.
- Independent brightness adjustment buttons that are recessed within a protective plate.
- 15 brightness settings (12 Daylight/3 NV).
- Side-mounted CR1632 battery compartment with threaded cap for easy battery changes without the need to remove the optic from the firearm.
- Minimum continuous runtime of 20,000 hours, at medium brightness setting (dot only).
- MOTAC (Motion Activated Illumination) that powers up when it senses motion and powers down when it does not.
- D.A.R.C. (Dark Adaptive Reticles & Coatings) technology provides ideal reticle brightness and target clarity while using GEN3+ night vision devices.
- Dependable waterproof performance (IPX-7 rated for complete water submersion up to 1 meter).
- Designed, developed, tested and assembled in the USA.
- SIG SAUER Electro-Optics Infinite Guarantee and SIG SAUER Electronic Component Limited 5-Year Warranty.

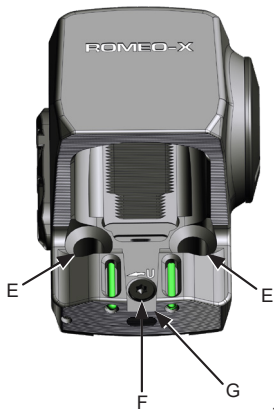
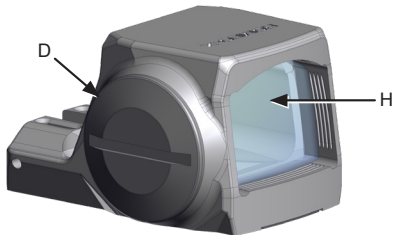
## ROMEO-X PRODUCT IDENTIFICATION

(COMPACT Model Shown, PRO model is similar)

- A – ▲ (Up) Brightness Adjustment (Press and Release),  
and Power ON/OFF (Press and Hold)
- B – ▼ (Down) Brightness Adjustment (Press and Release),  
and Reticle Change (Press and Hold – Circle/Dot models only)
- C – Windage Adjustment Screw
- D – Battery Cap
- E – Mounting Screw Holes
- F – Elevation Adjustment Screw
- G – Rear Sight Notch  
(COMPACT model includes  
fiber optic rods)
- H – Front Lens
- I – Recoil Lug Witness Holes



# SIGSAUER<sup>®</sup>





**WARNING UNLOAD/CLEAR**



**BEFORE WORKING ON YOUR ROMEO-X SIGHT, ALWAYS ENSURE THAT THE FIREARM IS UNLOADED AND CLEARED WITH THE SAFETY ON AND POINTED IN A SAFE DIRECTION. FAILURE TO COMPLY COULD RESULT IN INJURY OR DEATH.**



**WARNING BUTTON BATTERY**



**THIS PRODUCT CONTAINS A BUTTON BATTERY.  
IF SWALLOWED, A LITHIUM BUTTON BATTERY CAN CAUSE SEVERE OR FATAL INJURIES WITHIN 2 HOURS.  
KEEP ALL BATTERIES OUT OF REACH OF CHILDREN.  
IF YOU THINK BATTERIES MAY HAVE BEEN SWALLOWED OR PLACED INSIDE ANY PART OF THE BODY, SEEK IMMEDIATE MEDICAL ATTENTION.**

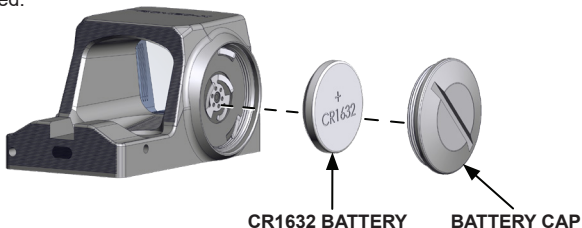


## OPERATION

### Installing the Battery

The battery cap is located on the right side of the optic and is threaded into the housing.

1. Use a properly sized flat blade tool in the slot, turn counterclockwise to remove.
2. Install a fresh CR1632 coin cell battery with the positive (+) side facing out.
3. Install battery cap by carefully threading it clockwise into the housing until it is tight against housing. Periodically check cap during use to ensure it is fully tightened.



## Turning Sight On and Off

- Turn the sight ON by pressing and holding the ▲ (UP) brightness button for over 1 second. Turn the sight OFF by repeating the same procedure.
- FOR CIRCLE/DOT MODELS ONLY - To cycle through the reticles (dot, circle, and circle/dot combination) press and hold the ▼ (DOWN) brightness button for over 1 second. Release the button when the desired reticle is being displayed.
- The ROMEO-X features MOTAC (Motion Activated Illumination System). If the illuminated reticle does not detect motion for 2 minutes, it automatically shuts off. The instant the optic detects motion, it powers on returning to the previous brightness and reticle setting.
- The ROMEO-X has 15 brightness settings, 12 daylight and 3 night vision. While the sight is ON, increase the brightness of the reticle by pressing and releasing the ▲ (UP) brightness button until the desired brightness level is reached. To decrease the brightness, press and release the ▼ (DOWN) brightness button. The reticle will blink 5 times when the highest or lowest setting is reached.

## INSTALLATION

**WARNING****UNLOAD/CLEAR**

**BEFORE WORKING ON YOUR ROMEO-X SIGHT, ALWAYS ENSURE THAT THE FIREARM IS UNLOADED AND CLEARED WITH THE SAFETY ON AND POINTED IN A SAFE DIRECTION. FAILURE TO COMPLY COULD RESULT IN INJURY OR DEATH.**

## MOUNTING THE SIGHT

The ROMEO-X comes in 2 models, COMPACT and PRO.

The COMPACT model is designed to mount to any firearm or mount that uses the Shield RMS-c mounting footprint. The PRO model is designed to mount to any firearm or mount that uses the DeltaPoint® Pro mounting footprint. Remove any pistol optic cover plate from the pistol slide (refer to your firearm owner's manual). Ensure the threaded mounting holes in the mounting surface are clean, and free from any debris or thread locker compound.

The ROMEO-X comes with mounting screws for the most common pistols in the industry. The mounting screws are labeled with the part number, and correspond to the following mounting applications and torque values:

SCREW PART NUMBER	SCREW SIZE	DRIVE	APPLICATION	TORQUE (INCH POUNDS)
7404261 (compact model only)	M3X0.5-11.75MM	T10 TORX	SIG P365	24
		T10 TORX	SIG P322	12
7404262	M4X0.7-9.75MM	T10 TORX	SIG PRO CUT SLIDES, ANY DELTAPOINT® PRO FOOTPRINT	28
7404786	M4X0.7-8.75MM	T10 TORX	GLOCK® MOS PISTOLS AND ADAPTER PLATES, SPRINGFIELD HELLCAT®	28

If mounting the ROMEO-X to an aluminum slide, mount, or adapter plate, see the slide/mount/plate manufacturer's torque specifications. For other SIG SAUER optics-ready pistols not listed above, contact SIG SAUER Customer Service for mounting screw information, torque values, and mounting guidance.

Select the proper mounting screws and test them first to ensure they thread smoothly into the mounting surface holes. Set the ROMEO-X onto the mounting surface, lining up any protruding recoil bosses in the mounting surface with the recoil lug witness holes in the bottom of the optic. Insert the mounting screws through the optic mounting screw holes and slowly thread them into the threaded holes in the mounting surface, while putting forward pressure (toward the muzzle) on the optic housing. Torque the mounting screws to the appropriate torque value. It is strongly recommended that you use an inch-pound torque wrench.

## SIGHT ADJUSTMENTS AND ZEROING

**Elevation Adjustments** – The elevation adjustment screw is located on top of the rear deck of the optic, just behind the mount screw holes. To raise your point of impact, use the supplied T6 Torx wrench to turn the adjustment screw counterclockwise. To lower your point of impact, turn the adjustment screw clockwise. Each click of the adjustment screw is equal to 1.5 MOA.

**Windage Adjustments** – The windage adjustment screw is located on the left side of the optic, just behind the brightness adjustment buttons. To move your point of impact right, use the supplied T6 Torx wrench to turn the adjustment screw clockwise. To move your point of impact left, turn the screw counterclockwise. Each click of the adjustment screw is equal to 1.5 MOA.

### NOTE

The directional arrows near the adjustment screws indicate the direction your bullet impacts will move. They do not indicate the direction the reticle is moving.

<b>Elevation Adjustment</b>		
POI Up	↑	↻
POI Down	↓	↺
<b>Windage Adjustment</b>		
POI Right	→	↺
POI Left	←	↻

**Zeroing** – When mounted, the ROMEO-X should be sighted in just like a rifle optic. A precise group (minimum 5 rounds) should be shot at a cardboard or paper target. Compare the Point of Aim (POA) you held on the target with the Point of Impact (POI) of the rounds on the target. Use the windage and elevation adjustments to bring the point of aim together with the point of impact. It is recommended that initial sight-in procedure be done with a paper target at 5-7 yards, before moving the target to greater distances for final zeroing.

**MAINTENANCE****WARNING****UNLOAD/CLEAR**

**BEFORE WORKING ON YOUR ROMEO-X SIGHT, ALWAYS ENSURE THE FIREARM IS UNLOADED AND CLEARED WITH THE SAFETY ON AND POINTED IN A SAFE DIRECTION. FAILURE TO COMPLY COULD RESULT IN INJURY OR DEATH.**

**CAUTION**

**ALWAYS BLOW DUST OR DEBRIS FROM LENSES PRIOR TO USING ANY CLOTH OR LENS PEN. FAILURE TO DO THIS MAY RESULT IN SCRATCHING OF THE LENSES.**

- **Cleaning** – Keep glass lens clear by using a clean, soft lens cloth. To avoid scratches in the surface of the lens coatings, be sure to remove any brass particles, dirt, dust or carbon buildup from the glass before wiping the surface. Use compressed air to blow away debris, and a cotton swab lightly soaked in Isopropyl Alcohol to remove carbon.
- **Replacing the battery** – See page 8 of this manual.

## TROUBLESHOOTING

### **POI Changes between groups when shooting from a single set distance**

- Check that your mounting screws are torqued to the correct specification (see page 12)
- Check for variations in ammunition brand, bullet weight, and velocity specs.
- Check/clean your firearm.

### **Reticle not illuminated**

- Press and hold the ▲ (UP) brightness adjustment button for over 1 second. Continue to press and release the UP brightness adjustment button to make sure the illuminated reticle is not in one of the lowest illumination levels, which can be difficult to see in bright environments.
- Ensure the battery is installed properly (+ facing out).
- Make sure the battery cap is fully tightened against the housing.
- Replace the battery.



SPECIFICATIONS	
OVERALL LENGTH	COMPACT: 1.61" (41mm) / PRO: 1.83" (46.5mm)
OVERALL HEIGHT	.94" (23.9mm)
OVERALL WIDTH	1.22" (31mm)
WEIGHT WITH BATTERY	COMPACT: 1.0 oz (28.3g) / PRO: 1.15 oz (42.5g)
MAGNIFICATION	1x
CLEAR APERTURE DIAMETER	24mm
RETICLE	2 MOA red dot / 32 MOA red circle, 6 MOA red dot, or 3 MOA green dot
BATTERY TYPE	CR1632
BATTERY RUNTIME	Up to 20,000 hours (continuous at medium setting, dot only)
OVERALL ELEVATION TRAVEL	80 MOA
OVERALL WINDAGE TRAVEL	80 MOA
BRIGHTNESS SETTINGS	15 (12 daylight, 3 NV) – GEN3+ Night Vision compatible
WATER RESISTANCE	IPX7
WINDAGE/ELEVATION ADJUSTMENT (Per click)	1.5 MOA



## **SIG SAUER ELECTRO-OPTICS INFINITE GUARANTEE®/LIMITED LIFETIME WARRANTY**

SIG SAUER® has manufactured the most rugged, dependable, high-performance firearms for more than two centuries. Our heritage of design, engineering, and precision-manufactured quality predates the existence of any other optics company worldwide. We understand the importance of quality in the line of fire, at the shooting range or on your next hunt. SIG SAUER Electro-Optics had to earn the right to wear that badge and the Infinite Guarantee has your back, forever. Period.

We will repair or replace your SIG SAUER product in the event it becomes damaged or defective, at no charge to you. If we cannot repair your product, we will replace it with a product in perfect working order of equal or better physical condition.

### **SIG SAUER® Infinite Guarantee®**

- Unlimited Lifetime Guarantee
- Fully Transferable
- No Warranty Card Required
- No Receipt Required
- No Time Limit Applies
- No Charge

Please note that our Infinite Guarantee excludes coverage for intentional damage, misuse, cosmetic damage that does not affect the performance of the optic, loss, theft, or unauthorized repair or modification. Excludes electronic and Tritium components.

Customers seeking warranty coverage must first obtain a Return Merchandise Authorization (RMA) by contacting SIG SAUER Customer Service, and return the product unloaded and freight prepaid.

ANY WARRANTIES IMPLIED BY LAW, INCLUDING ANY IMPLIED WARRANTIES OF MERCHANTABILITY OR FITNESS FOR A PARTICULAR PURPOSE, ARE EXPRESSLY DISCLAIMED. REPAIR, ALTERATION, OR REPLACEMENT AS PROVIDED HEREIN IS YOUR EXCLUSIVE REMEDY FOR ANY DEFECTIVE PRODUCT. IN NO EVENT SHALL SIG SAUER OR ANY COMPANY AFFILIATED WITH SIG SAUER BE LIABLE FOR ANY SPECIAL, INCIDENTAL, OR CONSEQUENTIAL DAMAGES OF ANY KIND ARISING OUT OF THE PURCHASE OR USE OF THIS PRODUCT, WHETHER BASED UPON CONTRACT, TORT, STATUTE, OR OTHERWISE.

Some states do not allow the exclusion or limitation of implied warranties, or the exclusion or limitation of incidental or consequential damages, so some or all of the above limitations or exclusions may not apply to you. This warranty gives you specific legal rights, and you may also have other rights which vary from State to State.

THIS WARRANTY APPLIES TO COMMERCIAL CUSTOMERS ONLY, AND DOES NOT APPLY TO GOVERNMENT, MILITARY, LAW ENFORCEMENT, OR NON-US CUSTOMERS. NON-US COMMERCIAL CUSTOMERS MUST PURCHASE PRODUCT THROUGH AN AUTHORIZED SIG SAUER DEALER WITHIN THEIR COUNTRY OF RESIDENCE FOR THIS WARRANTY TO APPLY.



## **SIG SAUER® ELECTRONIC COMPONENT LIMITED 5-YEAR WARRANTY**

SIG SAUER warrants that the electronic and tritium components of the enclosed product were originally manufactured free of defects in workmanship, material, and mechanical function. For a period of five (5) years from the date of manufacture, SIG SAUER agrees to correct any defect in these components by repair, adjustment, or replacement, at

SIG SAUER's option, with the same or comparable quality components (or by replacing the product at SIG SAUER's option); provided however that a Return Merchandise Authorization (RMA) is first obtained by contacting SIG SAUER Customer Service, and that the product is returned unloaded and freight prepaid.

This limited warranty is null and void if the product has been misused, damaged (by accident or otherwise), damaged through failure to provide reasonable and necessary maintenance as described in the user's manual, or if unauthorized repair or any alteration, including of a cosmetic nature, has been performed on the product. This limited warranty does not apply to normal cosmetic wear and tear of any parts.

ANY WARRANTIES IMPLIED BY LAW, INCLUDING ANY IMPLIED WARRANTIES OF MERCHANTABILITY OR FITNESS FOR A PARTICULAR PURPOSE, ARE EXPRESSLY DISCLAIMED. REPAIR, ALTERATION, OR REPLACEMENT AS PROVIDED HEREIN IS YOUR EXCLUSIVE REMEDY FOR ANY DEFECTIVE PRODUCT. IN NO EVENT SHALL SIG SAUER OR ANY COMPANY AFFILIATED WITH SIG SAUER BE LIABLE FOR ANY SPECIAL, INCIDENTAL, OR CONSEQUENTIAL DAMAGES OF ANY KIND ARISING OUT OF THE PURCHASE OR USE OF THIS PRODUCT, WHETHER BASED UPON CONTRACT, TORT, STATUTE, OR OTHERWISE.

Some states do not allow the exclusion or limitation of implied warranties, or the exclusion or limitation of incidental or consequential damages, so some or all of the above limitations or exclusions may not apply to you. This warranty gives you specific legal rights, and you may also have other rights which vary from State to State.

THIS WARRANTY APPLIES TO COMMERCIAL CUSTOMERS ONLY, AND DOES NOT APPLY TO GOVERNMENT, MILITARY, LAW ENFORCEMENT, OR NON-US CUSTOMERS. NON-US COMMERCIAL CUSTOMERS MUST PURCHASE PRODUCT THROUGH AN AUTHORIZED SIG SAUER DEALER WITHIN THEIR COUNTRY OF RESIDENCE FOR THIS WARRANTY TO APPLY.

**NOTES:**

NOTES:



**FOR PRODUCT SERVICE ON THIS MODEL,  
PLEASE CALL (603) 610-3000**

**12100 SW Tualatin Rd, Tualatin, OR 97062 USA**

All trademarks, service marks, trade names, trade dress, product names and logos appearing in this manual are the property of their respective owners. No trademark or service mark appearing in this manual may be used without written consent of the mark's owner.