

SIG SAUER ELECTRO-OPTICS INFINITE GUARANTEE®/LIMITED LIFETIME WARRANTY



SIG SAUER® has manufactured the most rugged, dependable, high-performance firearms for more than two centuries. Our heritage of design, engineering, and precision-manufactured quality predates the existence of any other optics company worldwide. We understand the importance of quality in the line of fire, at the shooting range or on your next hunt. SIG SAUER Electro-Optics had to earn the right to wear that badge and the Infinite Guarantee has your back, forever. Period.

We will repair or replace your SIG SAUER product in the event it becomes damaged or defective, at no charge to you. If we cannot repair your product, we will replace it with a product in perfect working order of equal or better physical condition.

SIG SAUER® Infinite Guarantee®

- Unlimited Lifetime Guarantee
- Fully Transferable
- No Warranty Card Required
- No Receipt Required
- No Time Limit Applies
- No Charge



Please note that our Infinite Guarantee excludes coverage for intentional damage, misuse, cosmetic damage that does not affect the performance of the optic, loss, theft, or unauthorized repair or modification. Excludes electronic and Tritium components.

Customers seeking warranty coverage must first obtain a Return Merchandise Authorization (RMA) by contacting SIG SAUER Customer Service, and return the product unloaded and freight prepaid.

ANY WARRANTIES IMPLIED BY LAW, INCLUDING ANY IMPLIED WARRANTIES OF MERCHANTABILITY OR FITNESS FOR A PARTICULAR PURPOSE, ARE EXPRESSLY DISCLAIMED. REPAIR, ALTERATION, OR REPLACEMENT AS PROVIDED HEREIN IS YOUR EXCLUSIVE REMEDY FOR ANY DEFECTIVE PRODUCT. IN NO EVENT SHALL SIG SAUER OR ANY COMPANY AFFILIATED WITH SIG SAUER BE LIABLE FOR ANY SPECIAL, INCIDENTAL, OR CONSEQUENTIAL DAMAGES OF ANY KIND ARISING OUT OF THE PURCHASE OR USE OF THIS PRODUCT, WHETHER BASED UPON CONTRACT, TORT, STATUTE, OR OTHERWISE. Some states do not allow the exclusion or limitation of implied warranties, or the exclusion or limitation of incidental or consequential damages, so some or all of the above limitations or exclusions may not apply to you. This warranty gives you specific legal rights, and you may also have other rights which vary from State to State.

THIS WARRANTY APPLIES TO COMMERCIAL CUSTOMERS ONLY, AND DOES NOT APPLY TO GOVERNMENT, MILITARY, LAW ENFORCEMENT, OR NON-US CUSTOMERS. NON-US COMMERCIAL CUSTOMERS MUST PURCHASE PRODUCT THROUGH AN AUTHORIZED SIG SAUER DEALER WITHIN THEIR COUNTRY OF RESIDENCE FOR THIS WARRANTY TO APPLY.

Visit sigsauer.com for full warranty details.

 WARNING	
<ul style="list-style-type: none">• INGESTION HAZARD: This product contains a button cell or coin battery.• DEATH or serious injury can occur if ingested.• A swallowed button cell or coin battery can cause Internal Chemical Burns in as little as 2 hours.• KEEP new and used batteries OUT OF REACH OF CHILDREN.• Seek immediate medical attention if a battery is suspected to be swallowed or inserted inside any part of the body.	

- Immediately dispose of used batteries and keep away from children. Do NOT dispose of batteries in household trash.
- Even used batteries may cause severe injury or death.
- Call a local poison control center for treatment information.
- Compatible battery: CR2032
- Nominal voltage: 3V
- Do not mix old and new batteries, different brands or types of batteries, such as alkaline, carbon-zinc, or rechargeable batteries.
- Ensure the batteries are installed correctly according to polarity (+ and -).
- Remove and immediately discard batteries from equipment not used for an extended period of time.
- Non-rechargeable batteries are not to be recharged.
- Do not force discharge, recharge, disassemble, heat above (manufacturer's specified temperature rating) or incinerate. Doing so may result in injury due to venting, leakage or explosion resulting in chemical burns.

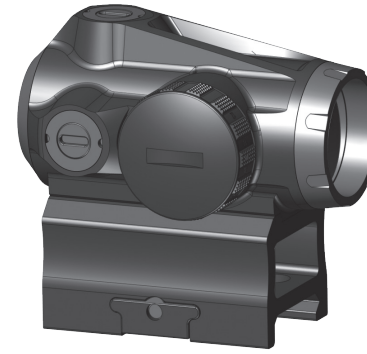
NOTICE: Export restrictions may apply – this product may be controlled either by the ITAR or EAR.

 **WARNING: CANCER AND REPRODUCTIVE HARM—**www.P65warnings.ca.gov



**FOR PRODUCT SERVICE ON THIS MODEL,
PLEASE CALL 603-610-3000**
12100 SW Tualatin Rd, Tualatin, OR 97062 USA

sigsauer.com



ROMEO-MSR™ GEN II

1X20 MM COMPACT ILLUMINATED DOT SIGHT

OPERATOR'S MANUAL



Scan the QR code to visit sigsauer.com where you will find additional information about SIG SAUER products, SIG SAUER Academy and the SIG Experience Center, Special Programs, and additional support.

INTRODUCTION

Congratulations on your purchase of the SIG SAUER® ROMEO-MSR GEN II line of Illuminated Dot Sights, providing a compact 1x enclosed aiming solution for today's carbine platforms. The crisp 2 MOA dot is powered by a new CR2032 battery, pumping runtime up 75% over the original! The rotary dial is relocated to the right side, featuring improved ergonomics and bold engraving for fast and intuitive brightness control while the entire sight gets a complete, ruggedized overhaul.

The ROMEO-MSR GEN II Line of Illuminated Dot Sights is covered by SIG SAUER Electro-Optics Infinite Guarantee.

CONTENTS:

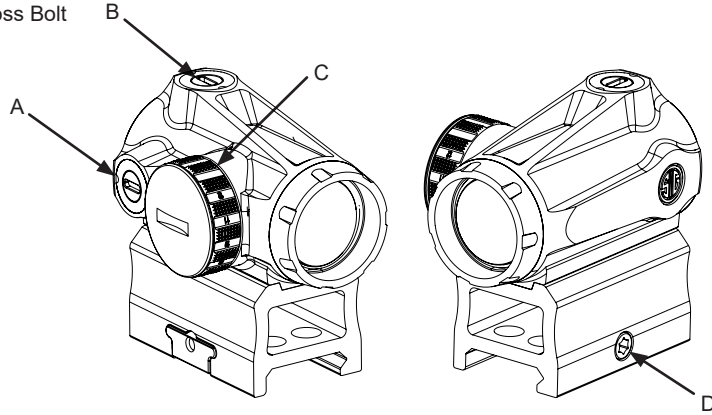
- ROMEO-MSR GEN II Illuminated Dot Sight
- Rubber Bikini Lens Cover
- Multi-Tool
- CR2032 Battery
- Lens Cleaning Cloth
- Operator's Manual

KEY FEATURES:

- High performance lens coatings for excellent light transmittance, glare control, and durability for all situations.
- 2 MOA dot for close quarters to mid-range target engagements.
- Ultra-compact size and weight with unlimited eye-relief and parallax free operation.
- 35,000 hour runtime.
- See-through M1913 absolute co-witness riser mount with common MICRO footprint.
- Dependable IPX-7 waterproof and fog proof performance.
- SIG SAUER® Electro-Optics Infinite Guarantee™.

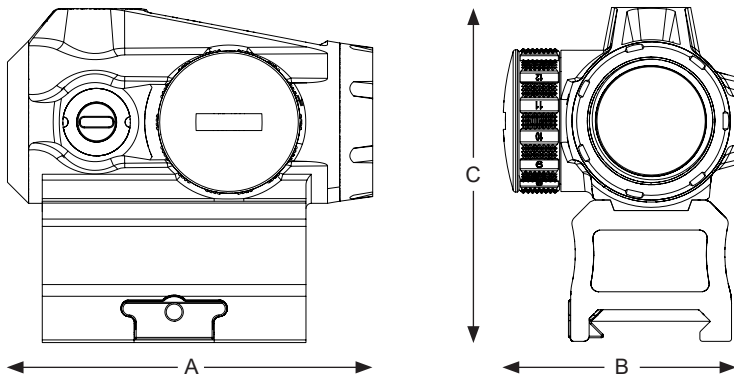
PRODUCT IDENTIFICATION:

- A. Windage Adjustment
- B. Elevation Adjustment
- C. Illumination Control & Battery Compartment
- D. T10 Torx® Mount Cross Bolt



ROMEO-MSR GEN II SPECIFICATIONS

Magnification	1x
Dot Size	2 MOA
Battery	CR2032
Run Time	35,000 hrs
Clear Aperture	20 mm
Illumination Settings	10 Day / 2 NV
Sight Height to Optical Axis	1.41" (Absolute Co-Witness)
Elevation Adjustment Range [min]	+/- 50 MOA
Windage Adjustment Range [min]	+/- 50 MOA
Adjustment Travel Per Click	1 MOA
Waterproofing	IPX-7
Length A*	2.7 in / 69.7 mm
Width B*	1.8 in / 44.8 mm
Height C*	2.5 in / 62.9 mm
Weight (with battery installed)	5.7 oz / 161 g



WARNING UNLOAD/CLEAR



IF YOUR OPTIC IS MOUNTED TO A FIREARM, ALWAYS ENSURE THAT THE FIREARM IS UNLOADED AND CLEARED WITH THE SAFETY ON BEFORE ADJUSTING THE SIGHT OR CHANGING THE BATTERY.

OPERATION

Installing the battery

- The battery compartment (C) is located on the right side of the sight. Use a coin, flathead, spare CR2032 battery or included multi-tool to unscrew the cap counterclockwise. Install the CR2032 coin cell with the + terminal facing up. It should snap firmly into the contacts. Reinstall the battery cap and rotate clockwise until the cap is fully closed.

NOTE

Failure to properly tighten the battery cap could lead to intermittent LED illumination or allow moisture into the battery compartment.

Turning Sight On and Off / Illumination Control

- The rotary illumination control (C) can be rotated nearly 360 degrees. At each end of travel, there is an OFF position, which also acts as a hard stop. The user can select from 10 daytime and 2 NV brightness settings. To increase the dot brightness, rotate the illumination control clockwise. To decrease brightness, rotate counterclockwise. The ROMEO-MSR GEN II DOES NOT feature MOTAC (Motion Activated Illumination), so be sure to turn the sight off prior to long-term storage. The ROMEO-MSR GEN II should provide well over 35,000 hours of runtime during normal use.

MOUNTING THE SIGHT

- This product is designed for 1.41" absolute co-witness and intended for use on most types of firearms with MIL-STD 1913 Picatinny Rail. With infinite eye relief, the sight can be mounted anywhere on the rail; forward or back.
- To install the sight on a firearm, set the mount on the rail at your preferred eye relief, push the sight forward into the rail lugs and torque the T10 Torx bolt (D) to 27 in-lbs.

SIGHT ADJUSTMENTS

- Elevation adjustments - Using provided multi-tool, coin, or shell casing, turn the Elevation Adjustment [B] counterclockwise (CCW) to move Point of Impact (POI) UP. To move POI DOWN, rotate clockwise (CW). Each click moves POI 1 MOA.
- Windage Adjustments - Using provided multi-tool, coin or shell casing, turn the Windage Adjustment [A] counterclockwise (CCW) to move POI RIGHT. To move POI LEFT, rotate clockwise (CW). Each click moves POI 1 MOA.

MAINTENANCE

CAUTION

ALWAYS BLOW DUST OR DEBRIS FROM LENSES PRIOR TO USING ANY CLOTH OR LENS PEN. FAILURE TO DO THIS MAY RESULT IN SCRATCHING OF THE LENSES.

- Cleaning - Keep your lenses clear by using a soft cloth (provided) or lens pen.
- Protect your lenses by using the provided rubber bikini cover during storage and transport.

TROUBLE SHOOTING

POI changes between groups, when shooting from a set distance:

- Check that your mounting screws and cross bolt are properly torqued.
- Check and clean your firearm.
- Check for variations in ammunition.

Intermittent LED Dot Illumination during live fire:

- Re-tighten the battery cap.
- Replace the battery or remove the battery and clean the circuit board contacts and battery surfaces.