

SLIDE INSTALLATION ON SIG SAUER P320 PISTOLS WITH DISCONNECTOR

SIG SAUER
when it counts[®]

When attempting to re-install the slide of your P320 pistol after field stripping for maintenance, it is possible that the disconnecter and safety lever may be in the raised position. This will interfere with proper slide installation.

To correct this condition:

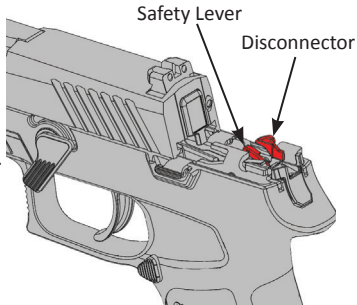
Press down on the disconnecter and safety lever until they stop.

Install the slide to your grip module, locking it to the rear with the slide catch lever.

Rotate the takedown lever completely counterclockwise.

Release the slide to its forward position.

Should these instructions fail to correct the condition, call customer service at (603) 610-3000, Ext.1



P/N 1302253 Rev 00

SLIDE REMOVAL ON SIG SAUER P320 PISTOLS WITH DISCONNECTOR

SIG SAUER
when it counts[®]

The cutaway image on this page shows the location of the SIG SAUER P320 pistols disconnector when the slide is locked forward into battery. The disconnector rests in a notch machined into the slide. This will increase the amount of force required to remove the slide from the frame.

