



**SIG SAUER**  
MATCH TRIGGER KIT

---

**INSTALLATION INSTRUCTIONS**

## 1.0 Warnings

This SIG SAUER Match Trigger Kit comes complete with all parts and detailed installation instructions. These items are designed to assist you in the proper installation of the contents of this kit. This kit is designed to function properly in its original condition. Alterations of any type can make it unsafe. Do not alter any part or add or substitute any parts or accessories not manufactured by SIG SAUER Inc. Do not install this trigger kit into a weapon that is not already functioning properly.

Installation of this trigger assembly can reduce the amount of pressure required to release the trigger. Once installed, it is suggested that the user dry fire the weapon prior to the firing of live ammunition to become familiar with any changes in the manipulation of the trigger.

SIG SAUER strongly recommends this kit be installed by a qualified gunsmith or certified SIG SAUER Armorer. However, should you attempt this installation yourself, thoroughly read and understand the procedures required to properly install the contents of this kit. Refer to the original owner's manual for field stripping the weapon. If you have any doubts about your ability to successfully complete the installation process, you should seek guidance from a qualified gunsmith or certified SIG SAUER Armorer.

This trigger kit can be installed in any Mil-Std AR type lower receiver.

Failure to properly follow the supplied instructions may result in the improper function of the weapon, damage to the weapon, and possible injury to yourself or others.

## 2.0 General Safety Information

### **▲ WARNING**

Safety is the number one concern when working with firearms.

- Keep the muzzle pointed in a safe direction at all times.
- Never allow live ammunition to be brought into the maintenance/cleaning area.
- Verify that the firearm is unloaded and clear prior to performing any maintenance.
- Do not touch the trigger unless the procedure requires you to do so.
- Always wear safety glasses with side shields when performing maintenance.

## 3.0 Setting Up A Safe Work Place

Having a proper work area to install this kit will help to ensure success and reduce the chance of damaging the firearm. A solid workbench with a bench mat, and a properly mounted vise with a mag well block will help free up your hands for installation.

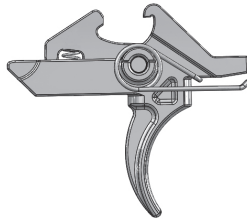
## TABLE OF CONTENTS

1.0 Warnings . . . . .	2
2.0 General Safety Information . . . . .	3
3.0 Setting Up A Safe Work Place . . . . .	3
4.0 SIG SAUER Match Trigger Kit Components . . . . .	5
5.0 Required Tools . . . . .	6
6.0 Removal of the Current Trigger Assembly . . . . .	6
7.0 Installation of the SIG SAUER Match Trigger Group . . . . .	8
8.0 Installation of the Match Hammer Group . . . . .	10
9.0 Conduct a Pre-Assembly Function Check . . . . .	11
10.0 Conduct a Final Assembly Function Check . . . . .	12
11.0 Exploded Diagram . . . . .	14

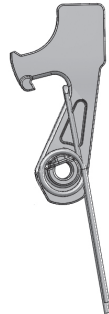
## 4.0 SIG SAUER Match Trigger Kit Components

1. Match Trigger\*
2. Match Hammer
3. Hammer Pivot Pin Retainer
4. Disconnect Spring\*
5. Hammer Spring
6. Trigger Spring\*
7. Match Disconnect\*
8. Hammer and Trigger Pivot Pins
9. Slave Pin\*

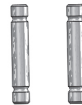
*Match Trigger Group*



*Match Hammer Group*



*Pivot Pins*



The above items marked with an asterisk \* make up the Match Trigger Group and come pre-assembled in this kit for ease of installation. The remaining items make up the Match Hammer Group and are pre-assembled as well.

## 5.0 Required Tools

- 3/32" Pin Punch
- Hammer

## 6.0 Removal of the Current Trigger Assembly

Prior to beginning the installation process, visually and physically inspect the weapon to make sure that no ammunition is present.

- Remove the magazine if it is inserted in the mag well.
- Retract the charging handle and lock the bolt carrier to the rear.
- Push the charging handle back to its forward and locked position.
- Rotate the fire control selector to the SAFE position.
- Physically and visually inspect the chamber for ammunition.
- Release the bolt carrier to its forward locked position.

Separate the upper from the lower receiver.

1. Push the front pivot pin and rear take down pin from left to right to full detent.
2. Separate the upper from the lower receiver.

Place the lower receiver in a vise block clamped in a bench vise.

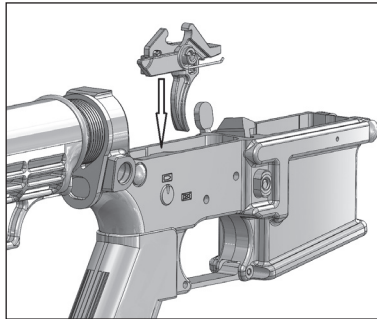
1. Rotate the fire control selector to SEMI.
2. Place your thumb on the hammer while pressing the trigger easing the hammer forward.
3. Push out the hammer pivot pin with a 3/32" pin punch.
4. Grasp the top of the hammer and remove the punch. Lift the hammer and hammer spring from the lower receiver.
5. Push out the trigger pivot pin with the same 3/32" pin punch.
6. Withdraw the punch, then lift the disconnect and trigger assembly from the lower receiver.

With the lower receiver stripped of the above parts, it is a good time to thoroughly clean the inside of the receiver.

---

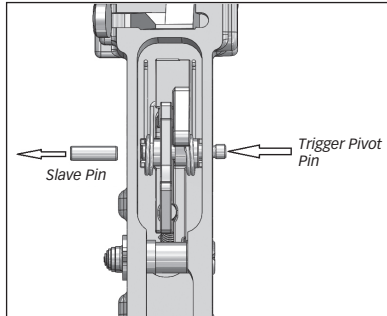
## 7.0 Installation of the SIG SAUER Match Trigger Group

1. Set the pre-assembled Match Trigger group down into the lower receiver.
2. Apply slight downward pressure to align the pivot pin through holes.



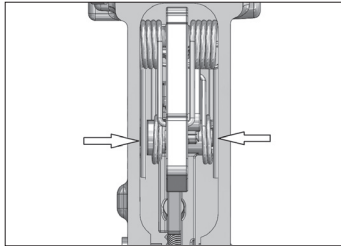


3. Push the trigger pivot pin through the holes of the lower receiver and through the trigger group. The ends of the pin should be flush with the receiver.
4. The slave pin will be pushed out of the opposite side as the pivot pin is installed.



## 8.0 Installation of the Match Hammer Group

1. Set the Match Hammer Group assembly down into the lower receiver making sure the legs of the hammer spring are resting into the radial grooves of the trigger pivot pin as indicated by arrows.



2. Apply downward pressure on the hammer, aligning the hammer pivot pin holes.
3. Push the hammer pivot pin through the holes until the pin is captured by the retainer.

## 9.0 Conduct a Pre-Assembly Function Pre-Check

1. Confirm that both pivot pins are flush with the both sides of the receiver.
2. Grasp the pistol grip and manually cock the hammer.
3. Rotate the fire control selector to the SAFE position.
4. Press the trigger. The hammer should not be released.
5. Rotate the fire control selector to the Fire position.
6. With the non-firing hand, protect the hammer from striking the receiver during steps 7 through 10.
7. Pressing the trigger should demonstrate an initial light pressure developing into a heavy pressure as the hammer is released.
8. Manually cock the hammer and repeat step 7, but this time hold the trigger rearward. The hammer should be released.
9. Press the hammer downward until it is captured by the disconnect.
10. Release pressure on the trigger. The hammer should reset.
11. Rotate the selector to SAFE.
12. Reassemble the upper to the lower receiver.

## **⚠ WARNING**

If the weapon fails any of the above steps in Section 9.0 **STOP** and do not proceed any further. Disassemble the Match Trigger Kit and attempt to re-install following these instructions. If the weapon then passes the Pre-Check, proceed with Section 9.0. If the weapons fails the Pre-Check again, **STOP** and do not attempt to fire the weapon. Call SIG SAUER customer service at (603) 610-3000 Ext. 1

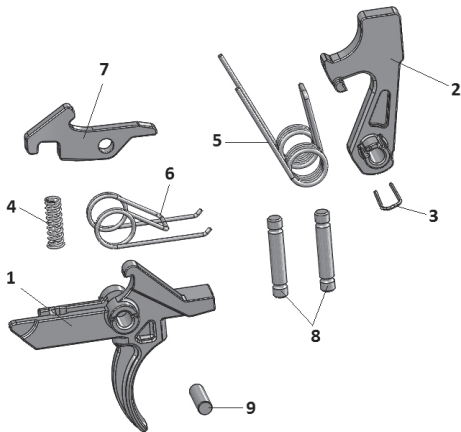
## **10.0 Conduct a Final Assembly Function Check**

1. Rotate the selector to the FIRE position.
2. Press and hold the trigger to the rear. The hammer should have been released.
3. While still pressing the trigger to the rear, fully retract the charging handle and release it. The hammer should be captured by the disconnect.
4. Release pressure on the trigger. You should feel it reset.
5. Press the trigger. The hammer should be released.

**⚠ WARNING**

If the weapon fails any of the above steps in section 10.0 STOP and do not proceed any further. Do not load and attempt to fire live ammunition. Call SIG SAUER customer service at (603) 610-3000 Ext. 1.

## 11.0 Exploded Diagram



A moly-disulfide type grease is recommended for lubrication of the trigger components where indicated.

**SIG SAUER MATCH TRIGGER KIT**

REF	DESCRIPTION	QTY
1	Match Trigger	1
2	Match Hammer	1
3	Hammer Pivot Pin Retainer	1
4	Disconnect Spring	1
5	Hammer Spring	1
6	Trigger Spring	1
7	Match Disconnect	1
8	Pivot Pins (Hammer & Trigger)	2
9	Slave Pin	1



**FOR PRODUCT SERVICE ON THIS MODEL, PLEASE CALL 603-610-3000 EXT. 1**

72 Pease Boulevard, Newington, NH 03801 USA