

SLIDE CATCH LEVER REPLACEMENT INSTRUCTIONS FOR P250 .45 AUTO CALIBER X-CHANGE KITS

In order to use your P250 .45 Auto Caliber X-Change kit on a receiver that was originally any caliber other than .45 Auto, the slide catch lever, spring and spring cap must be removed and replaced with ones supplied with the kit. The supplied parts only have to be replaced once, and will work on all calibers and sizes.

- 1) Insure your pistol is unloaded per the instructions found in the owner's manual.
- 2) Remove the fire control system from the grip module per the instructions in the owner's manual.
- 3) See Figure A. Lightly push down on the front of the slide catch lever to add a small amount of tension into the spring. Remove the slide catch lever pin (Item 1) using a tool such as a punch or small screwdriver in the direction shown. Note that the slide catch lever pin is a slip fit and will easily slide out of the receiver assembly as long as the front of the lever is pushed down far enough. Remove the slide catch lever, cap or washer and spring.

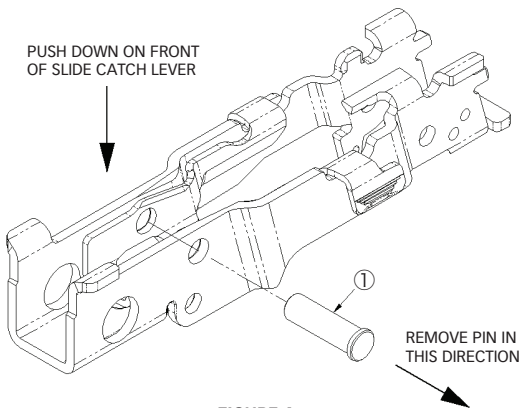


FIGURE A

- 4) See Figure B. Install the new slide catch lever (Item 1), spring (Item 2) and spring cap (Item 3) as shown. The shoulder on the spring cap must be flush with bottom of the slide catch lever. Adding a dab of white grease to the spring will prevent it from falling out. Line up the pin hole, push down on the front of the lever to add a small amount of tension into the spring, and re-insert the slide catch lever pin in the direction shown until it bottoms out. Note that it may be necessary to vary the force on the front of the lever so that the pin lines up with the holes.

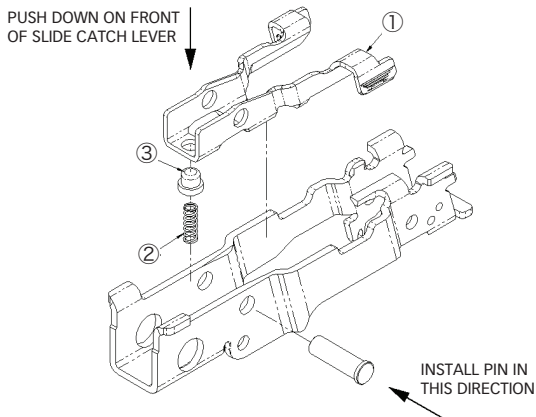


FIGURE B

Should you have any question on the proper installation of the new slide catch lever, please contact Customer Service at (603) 772-2302.

SIGSAUER[®]
when it counts[™]

18 Industrial Drive, Exeter, NH 03833 • www.sigsauger.com

P/N 1300575 REV 1.0