

.22LR RIMFIRE CONVERSION KIT

• P938®



SIG SAUER®
when it counts®

OWNER'S MANUAL

INTRODUCTION

The SIG SAUER .22LR Rimfire Conversion for the P938. This kit allows the use of inexpensive .22LR ammunition for training or recreational use in P938 SIG SAUER pistols. The .22LR Conversion Kit is a blowback design that had been engineered to provide the same level of performance as the original pistol.

CONTENTS

• Slide • Barrel • Recoil Spring/Guide • Adjustable Target or SIGLITE® Night Sights • .22LR Magazine • Owner's Manual • Hard Carry Case

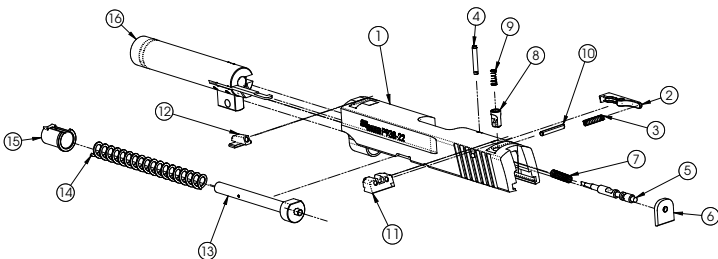
FEATURES

• Hard coat anodized slide assembly
• 10 round .22LR magazine
• SIGLITE® Night Sights or Adjustable target sights - 3.3" std or 4.1" target barrel

GENERAL INFORMATION

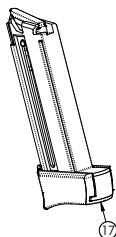
We recommend using Hi-Velocity .22LR ammunition with this Conversion Kit. While this kit will perform well with the majority of commercially available Hi-Velocity ammunition, not all brands will function as well as others. Try different brands until you find a selection that provides a level of performance you are satisfied with. Using standard velocity ammunition will cause erratic or inconsistent function of the Conversion Kit.

P938-22 STANDARD CONVERSION KIT PARTS

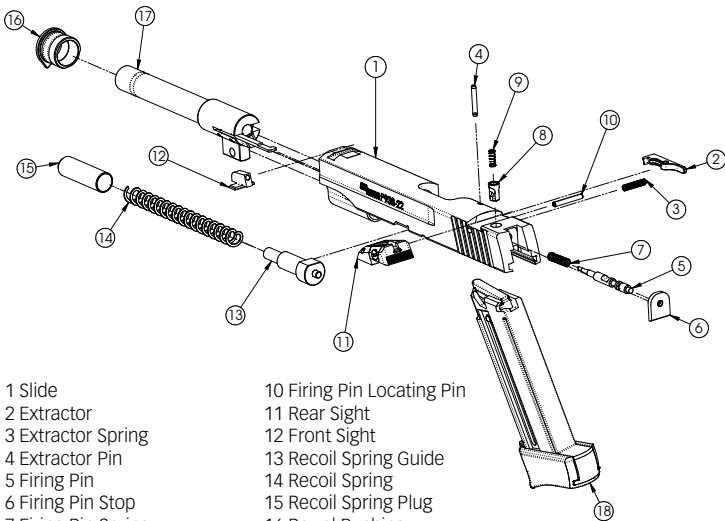


- 1 Slide
- 2 Extractor
- 3 Extractor Spring
- 4 Extractor Pin
- 5 Firing Pin
- 6 Firing Pin Stop
- 7 Firing Pin Spring
- 8 Firing Pin Block
- 9 Firing Pin Block Spring

- 10 Firing Pin Locating Pin
- 11 Rear Sight
- 12 Front Sight
- 13 Recoil Spring Guide
- 14 Recoil Spring
- 15 Recoil Spring Bushing
- 16 Barrel Assembly
- 17 Magazine, 10 Rd



P938-22 TARGET CONVERSION KIT PARTS



- | | |
|---------------------------|----------------------------|
| 1 Slide | 10 Firing Pin Locating Pin |
| 2 Extractor | 11 Rear Sight |
| 3 Extractor Spring | 12 Front Sight |
| 4 Extractor Pin | 13 Recoil Spring Guide |
| 5 Firing Pin | 14 Recoil Spring |
| 6 Firing Pin Stop | 15 Recoil Spring Plug |
| 7 Firing Pin Spring | 16 Barrel Bushing |
| 8 Firing Pin Block | 17 Barrel Assembly |
| 9 Firing Pin Block Spring | 18 Magazine, 10 Rd |

938-22 CONVERSION KIT ASSEMBLY

⚠ WARNING – MAINTENANCE



Verify the magazine is removed – visually and physically confirm the pistol is unloaded before attempting disassembly or performing any maintenance steps. Failure to ensure the firearm is unloaded could result in unintentional discharge, causing injury or death.

1. Disassembly of existing 9mm slide assembly. Refer to 8.0-8.1 Pistol Disassembly in the owner's manual. Follow instructions through step #4 of the owner's manual.
2. Assembly of the 938-22 conversion kit. Refer to 8.4 Pistol Assembly in the owner's manual steps 4-6.

938-22 CONVERSION KIT DISASSEMBLY

Conversion Kit Disassembly – Standard 3.3" Barrel

1. Disassembly Refer to 8.0-8.1 Pistol Disassembly in the owner's manual. Follow instructions steps 1-3 of the owner's manual.
2. Push guide rod (13) forward and insert disassembly tool into the disassembly hole in the guide rod. (Figure 1)
3. Release the tension on the guide rod and spring and remove them rearward out of the slide.
4. Remove the barrel (#16) forward through the slide.



Figure 1

Conversion Kit Disassembly – Target 4.1" Barrel

1. Disassembly Refer to 8.0-8.1 Pistol Disassembly in the owner's manual. Follow instructions steps 1-3 of the owner's manual.
2. Compress forward and remove the guide rod (#13) and recoil spring (#14).
3. Push the recoil spring bushing (#15) rearward and remove.
4. Rotate the Barrel Bushing (#16) counter clockwise and remove.
5. Remove the barrel (#17) forward through the slide.

SIG SAUER® LIMITED LIFETIME WARRANTY

SIG SAUER® warrants that the enclosed .22LR Rimfire Conversion Kit (Kit) was originally manufactured free of defects in material, workmanship and mechanical function. For the lifetime of the original purchaser, SIG SAUER agrees to correct any defect in the Kit for the original purchaser by repair, adjustment or replacement, at SIG SAUER's option, with the same or comparable quality components (or by replacing the Kit at SIG SAUER's option); provided, however, that the Kit is returned unloaded and freight prepaid to SIG SAUER at 18 Industrial Drive, Exeter, NH 03833. This limited warranty is null and void if the Kit has been misused, damaged (by accident or otherwise), fired with handloaded, reloaded or improper ammunition, fired with an obstruction in the barrel, damaged through failure to provide reasonable and necessary maintenance as described in the manual accompanying the Kit, or if unauthorized repair or any alteration, including of a cosmetic nature, has been performed on the Kit. This limited warranty does not apply to normal wear and tear of any parts. Subject to the foregoing, this limited warranty confers the right to have the covered Kit or its parts repaired, adjusted or replaced exclusively upon the original purchaser, which right is not transferable to any other person. No implied warranties of any kind are made herein and this warranty does not apply to any accessory items attached or appurtenant to the Kit. In no event shall SIG SAUER be liable for any incidental or consequential damages arising from or in connection with this limited warranty.