

**SIGSAUER**<sup>®</sup>  
*when it counts*<sup>®</sup>



**USE, CARE, AND MAINTENANCE OF THE  
SIG MCX AIF M.O.L.L.E.  
ACCESSORIES & EQUIPMENT  
(MODULAR LIGHTWEIGHT LOAD CARRYING EQUIPMENT)**

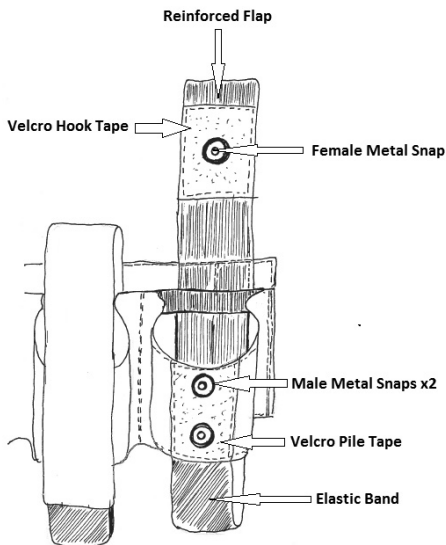
# TABLE OF CONTENTS

1.0 Triple 40mm Grenade Holder P/N 8501524 . . . . .	3
1.1 Features . . . . .	3
1.2 Attaching the Triple 40mm Grenade Holder. . . . .	4
1.3 Inserting the 40mm Grenade into the Holder. . . . .	6
2.0 SIG MCX 30 Round Magazine Holder P/N 8501526 . . . . .	7
2.1 Features . . . . .	7
2.2 Attaching the Magazine Holder to the MOLLE Carrier . . . . .	8
2.3 Inserting a 30 round MCX magazine into the Holder . . . . .	8
3.0 Individual Transport/Protective Cover for the Eagle Grenade Launcher P/N 8501531 . . . . .	9
3.1 Features . . . . .	9
3.2 Securing the Eagle Grenade Launcher into the Protective case . . . .	10
4.0 AIF-S and AIF-C Individual Protection and Transport Case P/N 8501533 . . . . .	12
4.1 Features . . . . .	12
5.0 Cleaning and Maintenance of SIG MCX AIF MOLLE Equipment . . . . .	14

# 1.0 Triple 40mm Grenade Holder P/N 8501524

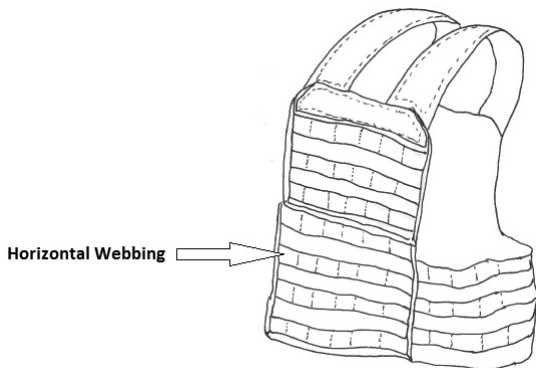
## 1.1 Features

The Triple Grenade Holder is designed to accept 40mm grenades from a length of 90 to 136mm. The reinforced flaps of the grenade holder have a single metal female snap and Velcro hook closure tape, which provides a double layer of security. The Velcro closure also allows for single-handed closure of the flap, without the need to engage the metal snap. The individual grenade compartment is fitted with two metal male snaps and Velcro pile closure tape. This allows for secure closure of short and long body 40mm grenades. The bottom of the compartment is fitted with an elastic band. This allows for the expansion due to differences in the length of the grenade.



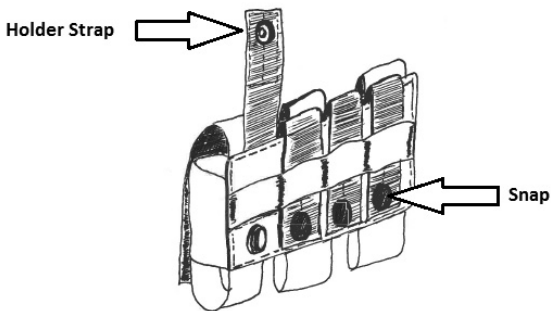
## 1.2 Attaching the Triple 40mm Grenade Holder

a. Choose the desired height location for the Grenade Holder on the MOLLE Carrier.

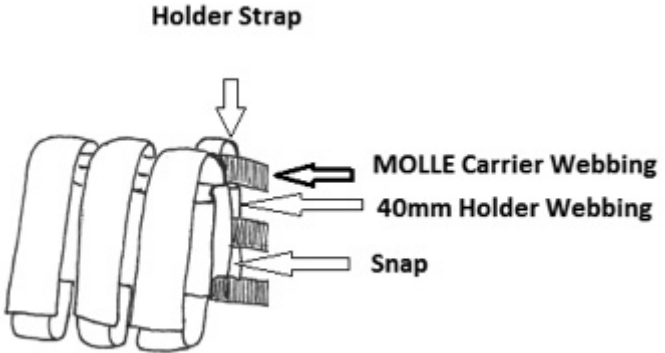


b. Align the top of the 40mm Grenade Holder with the selected horizontal webbing.

c. Insert the holder strap behind the first horizontal webbing on the MOLLE Carrier.



d. Weave the holder strap behind the horizontal webbing of the grenade holder.



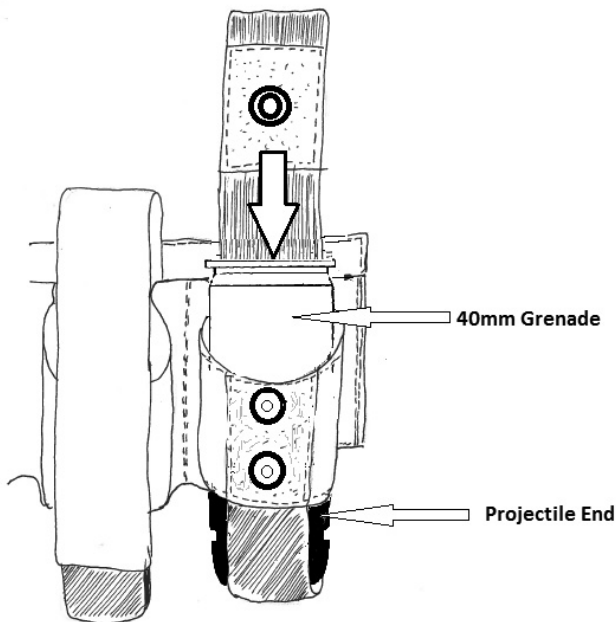
e. The final weave is behind the next horizontal webbing on the MOLLE Carrier.

f. Once you have guided the holder strap behind two of the horizontal webbing straps of the MOLLE carrier, snap the holder strap to the holder.

Failure to weave the holder strap as shown, will result in a loose fit and the possibility of the holder becoming separated from the MOLLE Carrier.

### 1.3 Inserting the 40mm Grenade into the Holder

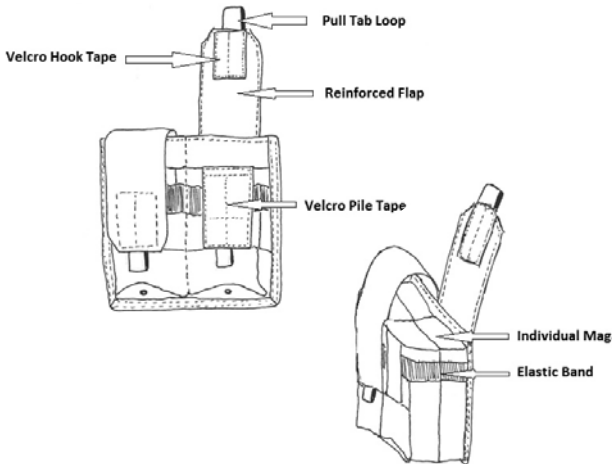
- Unsnap the reinforced flap by pulling it upward.
- Insert the grenade with the projectile facing downward into the individual compartment.
- Push the grenade down until the projectile end is seated in the elastic flap.
- Close the semi-rigid flap and secure the metal snap that provides the tightest fit.



## 2.0 SIG MCX 30 Round Magazine Holder P/N 8501526

### 2.1 Features

The Magazine Holder is comprised of two side by side pouches with four individual compartments. The Magazine Holder is capable of holding up to four individual 30 round MCX chargers. A pull tab loop is sewn to each of the individual semi-rigid flap which makes it easier for the soldier to pull open the flap especially when gloves are worn. A short section of parachute cord can be laced through this loop to further the ease of opening. A section of Velcro hook tape is sewn to the inside of the flap which, when closed, engages the Velcro pile tape sewn to the outer portion of the pouch.



The elastic band is sewn around the individual pouches and provides an added retaining feature to the holder compartments. The magazine holder, when fully packed with four completely loaded MCX magazines, will retain the magazines during the most demanding combat environments to include airborne operations.

## 2.3 Attaching the Magazine Holder to the MOLLE Carrier

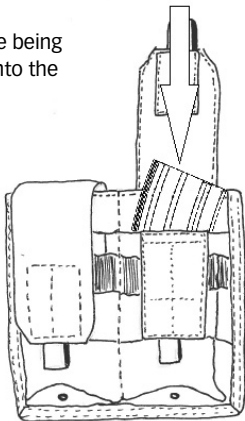
To attach the magazine holder to the MOLLE Carrier, follow the same procedure listed in 1.2 Steps a through f.

Failure to weave the magazine holder strap as shown, will result in a loose fit and the possibility of the holder becoming separated from the MOLLE Carrier.

## 2.4 Inserting a 30 round MCX magazine into the Holder

1. Open the reinforced flap by pulling upward on the loop.
2. Insert the magazine with the cartridges facing downward, into one of the individual compartments.

**Note:** If this is the first magazine being inserted, it is easier to place it into the rearmost compartment first.



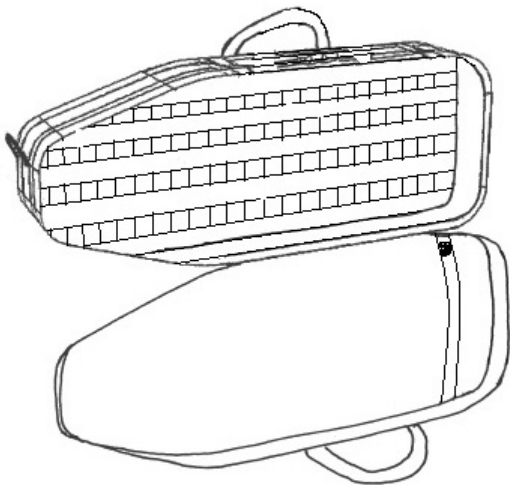
3. Continue to place magazines into the remaining compartments.
4. Pull the reinforced flap down over the top of the magazine and secure it via the Velcro tape.



## 3.0 Individual Transport/Protective Cover for the Eagle Grenade Launcher P/N 8501531

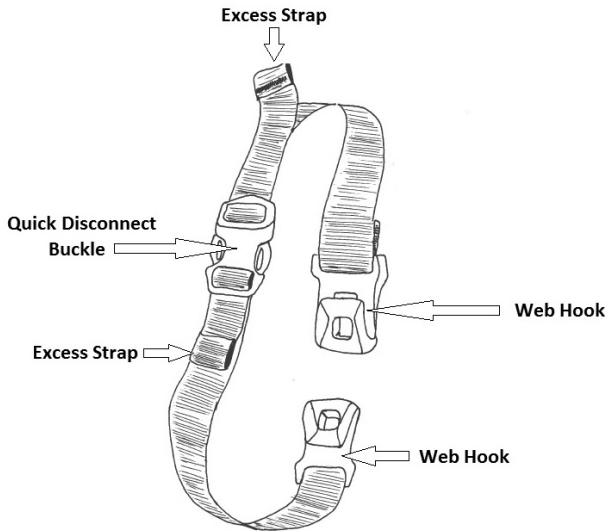
### 3.1 Features

The Individual Transport/Protective Cover for the Colt Eagle Grenade Launcher provides a means to carry the launcher securely and inconspicuously. The interior of the case provides a grid of webbing to attach the two straps which will secure the Eagle Launcher inside the case. The webbing can also be used to attach MOLLE pouches as well. A clip on shoulder strap is provided.

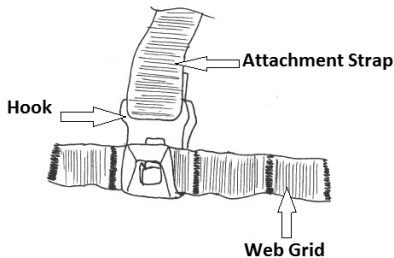


## 3.2 Securing the Eagle Grenade Launcher into the Protective case

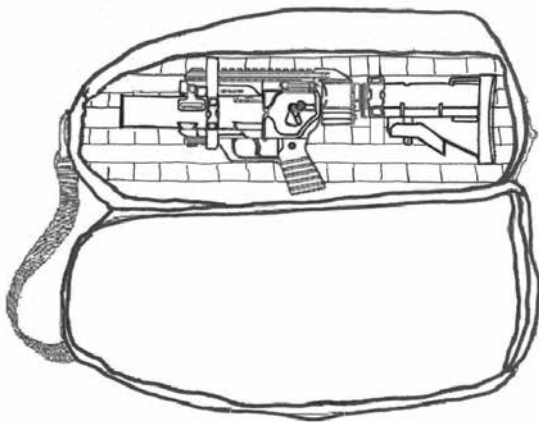
The two attachment straps can be secured to the web grid inside the case. These straps will hold the Eagle Grenade Launcher securely inside the case.



a. Place the Eagle Launcher in the case to determine the best location for the attachment straps.



- b. With the attachment strap connected at the QD Buckle, weave a hook behind and down through the horizontal web grid in the case.
- c. Pull the attachment strap up so the hook engages the webbing.
- d. Drape the strap over the launcher and repeat step b & c with the remaining hook of the strap.
- e. Grasp the excess strap ends and pull them snug.



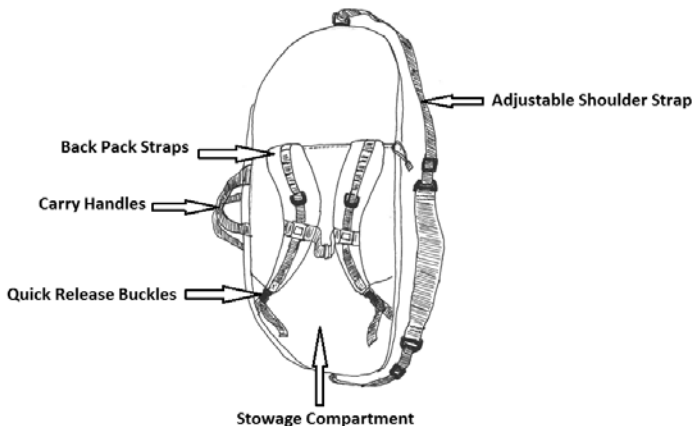
To quickly remove the Eagle Launcher from the case, disconnect the Quick Detachable buckles.

## 4.0 AIF-S and AIF-C Individual Protection and Transport Case P/N 8501533

### 4.1 Features

The Individual Transport/Protective Cover for the SIG MCX AIF-S and AIF-C provides a means to carry the weapon and accessories securely and inconspicuously. The case is equipped with an adjustable shoulder strap that is attached at both ends of the case. A separate outer stowage compartment houses a pair of adjustable backpack type straps which allows for the case to be carried on the operators back. Each back pack strap is fitted with a quick release buckle which allows for rapid dismounting of the case from the operators back. The back pack straps can be placed in the stowage compartment when not required.

AIF-S / AIF-C Individual Protection/Transport Case



The inside compartment of the Individual Transport/Protective Cover has a divider with separate pockets to store accessories. The inside panel of the case is fitted with a grid of M.O.L.L.E. webbing for the attachment of individual pouches. The divider also provides protection against accessories striking the weapon during transport.

## **5.0 Cleaning and Maintenance of SIG MCX AIF MOLLE Equipment**

1. Scrape dirt and dust from the item with a soft bristle brush.
2. Mild detergent or soap may be used with water for removal of heavy stains.
3. Rinse item thoroughly with clean water.
4. Do not use chlorine bleach, yellow soap, cleaning fluids, or solvents that could discolor or deteriorate the item.
5. Dry the item in the shade or indoors. Do not dry indirect sunlight, direct heat source or open flame.
6. Do not place in commercial/home type washing machines.
7. Do not attempt to dye or repair damaged items.



**SIGSAUER**<sup>®</sup>  
*when it counts*<sup>®</sup>

**[www.sigsauer.de](http://www.sigsauer.de)**

SIG SAUER GmbH & Co. KG  
Sauerstraße 2-6  
D-24340 Eckernförde  
Telefon +49 4351 471 100  
Telefax +49 4351 471 160