



**SIG SAUER**  
**ENHANCED SEMI-AUTO MIL SPEC**  
**TRIGGER KIT**

---

**INSTALLATION INSTRUCTIONS**

## 1.0 Warnings

This SIG SAUER Enhanced Mil-Spec Trigger Kit comes complete with all parts and detailed installation instructions. These items are designed to assist you in the proper installation of the contents of this kit. This kit is designed to function properly in its original condition. Alterations of any type can make it unsafe. Do not alter any part or add or substitute any parts or accessories not manufactured by SIG SAUER Inc. Do not install this trigger kit into a rifle that is not already functioning properly.

Installation of this trigger assembly can reduce the amount of pressure required to release the hammer. Once installed, it is suggested that the user dry fire the rifle prior to the firing of live ammunition to become familiar with any changes in the manipulation of the trigger.

SIG SAUER strongly recommends this kit be installed by a qualified gunsmith or certified SIG SAUER Armorer. However, should you attempt this installation yourself, thoroughly read and understand the procedures required to properly install the contents of this kit. Refer to the original owner's manual for field stripping the rifle. If you have any doubts about your ability to successfully complete the installation process, you should seek guidance from a qualified gunsmith or certified SIG SAUER Armorer.

This trigger kit can be installed in any Mil-Std AR type lower receiver.

Failure to properly follow the supplied instructions may result in the improper function of the rifle, damage to the rifle, and possibly injury to yourself or others.

## 2.0 General Safety Information

### **⚠ WARNING**

Safety is the number one concern when working with firearms.

- Keep the muzzle pointed in a safe direction at all times.
- Never allow live ammunition to be brought into the maintenance/cleaning area.
- Verify that the firearm is unloaded and clear prior to performing any maintenance.
- Do not touch the trigger unless the procedure requires you to do so.
- Always wear safety glasses with side shields when performing maintenance.

## 3.0 Setting Up A Safe Work Place

Having a proper work area to install this kit will help to ensure success and reduce the chance of damaging the firearm. A solid workbench with a bench mat, and a properly mounted vise with a mag well block will help free up your hands for installation.

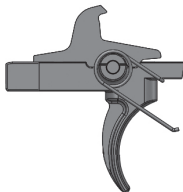
## TABLE OF CONTENTS

|  |    |
|--|----|
| 1.0 Warnings . . . . .   | 2  |
| 2.0 General Safety Information . . . . .                                 | 3  |
| 3.0 Setting Up A Safe Work Place . . . . .                               | 3  |
| 4.0 SIG SAUER Enhanced Mil Spec Trigger Kit Components . . . . .         | 5  |
| 5.0 Required Tools . . . . .   | 6  |
| 6.0 Removal of the Current Trigger Assembly . . . . .                    | 6  |
| 7.0 Installation of the SIG SAUER Enhanced Mil Spec Trigger Kit. . . . . | 8  |
| 8.0 Installation of the Enhanced Mil Spec Hammer Group . . . . .         | 9  |
| 9.0 Conduct a Pre-Assembly Function Check . . . . .                      | 10 |
| 10.0 Conduct a Final Assembly Function Check . . . . .                   | 11 |
| 11.0 Exploded Diagram. . . . .   | 12 |

## 4.0 SIG SAUER Semi-Auto Mil Spec Trigger Kit Components

1. Trigger, Semi\*
2. Disconnecter Spring\*
3. Disconnecter, Semi\*
4. Trigger Spring
5. Hammer, Semi
6. Hammer Pivot Pin
7. Hammer Spring
8. Trigger Pivot Pin\*
9. Assembly Assist Pin\*

*Trigger Group*



*Hammer Group*

*Pivot Pins*



The above items marked with an asterisk \* make up the Mil Spec Enhanced Trigger Group and come pre-assembled in this kit as shown below, for ease of installation. The Hammer Group is pre-assembled as well.

## 5.0 Required Tools

- 3/32" Pin Punch
- Hammer

## 6.0 Removal of the Current Trigger Assembly

Prior to beginning the installation process, visually and physically inspect the weapon to make sure that no ammunition is present.

- Remove the magazine if it is inserted in the mag well.
- Retract the charging handle and lock the bolt carrier to the rear.
- Push the charging handle back to its forward and locked position.
- Rotate the fire control selector to the SAFE position.
- Physically and visually inspect the chamber for ammunition.
- Release the bolt carrier to its forward locked position.

Separate the upper from the lower receiver.

1. Push the front pivot pin and rear take down pin from left to right to full detent.
2. Separate the upper from the lower receiver.

Place the lower receiver in a vise block clamped in a bench vise.

1. Rotate the fire control selector to SEMI.
2. Place your thumb on the hammer while pressing the trigger easing the hammer forward.
3. Push out the hammer pivot pin with a 3/32" pin punch.
4. Grasp the top of the hammer and remove the punch. Lift the hammer and hammer spring from the lower receiver.
5. Push out the trigger pivot pin with the same 3/32" pin punch.
6. Withdraw the punch, then lift the disconnect and trigger assembly from the lower receiver.

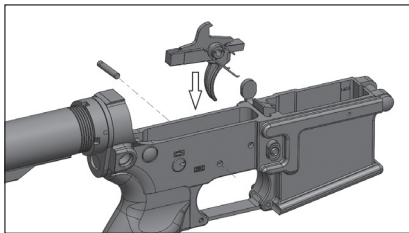
With the lower receiver stripped of the above parts, it is a good time to thoroughly clean the inside of the receiver.

---

## 7.0 Installation of the SIG SAUER Enhanced Semi-Auto Mil Spec Trigger Group

Refer to 11.0 Exploded Diagram (page 12) for proper lubrication of components during installation.

1. Set the pre-assembled Trigger group down into the lower receiver.

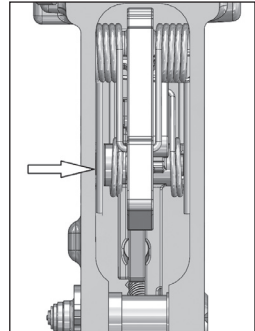


2. Apply slight downward pressure to align the pivot pin through holes.
3. Push the trigger pivot pin through from the left side of the lower receiver and through the trigger group.
4. The assembly assist pin will be pushed out of the right side of the receiver as the pivot pin is installed.



## 8.0 Installation of the Enhanced Mil Spec Hammer Assembly

1. Set the Hammer assembly down into the lower receiver making sure the left leg of the hammer spring is resting into the radial groove on the left side of the trigger pivot pin. This is what keeps the trigger pivot pin from walking out of the receiver.
2. Apply downward pressure on the hammer, aligning the hammer pivot pin holes.
3. Push the hammer pivot pin through from the left side of the lower receiver until the pin is captured by the retaining spring in the hammer. You should feel it snap into place.



## **9.0 Conduct a Function Pre-Check (prior to reassembly of the rifle)**

1. Confirm that both pivot pins are flush with the both sides of the receiver.
2. Grasp the pistol grip and manually cock the hammer.
3. Rotate the fire control selector to the SAFE position.
4. Press the trigger. The hammer should not be released.
5. Rotate the fire control selector to the Fire position.
6. With the non-firing hand, protect the hammer from striking the receiver during steps 7 through 10.
7. Pressing the trigger should demonstrate an initial light pressure developing into a heavy pressure as the hammer is released.
8. Manually cock the hammer and repeat step 7, but this time hold the trigger rearward. The hammer should be released.
9. Press the hammer downward until it is captured by the disconnect.
10. Release pressure on the trigger. The hammer should reset.
11. Rotate the selector to SAFE.
12. Reassemble the upper to the lower receiver.

## **⚠ WARNING**

If the rifle fails any of the above steps in Section 9.0 **STOP** and do not proceed any further. Disassemble the Enhanced Mil Spec Trigger Kit and attempt to re-install following these instructions. If the rifle then passes the Pre- Check proceed with Section 9.0. If the rifle fails the Pre-Check again, **STOP** and do not attempt to fire the rifle. Call SIG SAUER customer service at (603) 610-3000 Ext.1.

## **10.0 Conduct a Final Assembly Function Check**


1. Rotate the selector to the FIRE position.
2. Press and hold the trigger to the rear. The hammer should have been released.
3. While still pressing the trigger to the rear, fully retract the charging handle and release it. The hammer should be captured by the disconnect.
4. Release pressure on the trigger. You should feel it reset and hear a click.
5. Press the trigger. The hammer should be released.

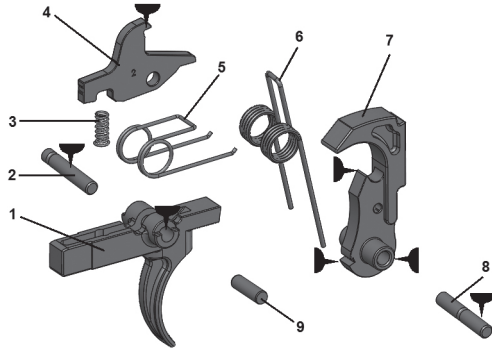
## **⚠ WARNING**

If the rifle fails any of the above steps in section 10.0 **STOP** and do not proceed any further. Do not load and attempt to fire live ammunition. Call SIG SAUER customer service at (603) 610-3000 Ext.1.

---

## 11.0 Exploded Diagram

 Indicates Lubrication Point



A moly-disulfide type grease is recommended for lubrication of the trigger components where indicated.

**SIG SAUER ENHANCED SEMI-AUTO MIL SPEC TRIGGER KIT**

| REF | DESCRIPTION         | QTY |
|-----|---------------------|-----|
| 1   | Trigger, Semi       | 1   |
| 2   | Trigger Pivot Pin   | 1   |
| 3   | Disconnect Spring   | 1   |
| 4   | Disconnect, Semi    | 1   |
| 5   | Trigger Spring      | 1   |
| 6   | Hammer Spring       | 1   |
| 7   | Hammer, Semi        | 1   |
| 8   | Hammer Pivot Pin    | 1   |
| 9   | Assembly Assist Pin | 1   |

**NOTES:**

**NOTES:**



**FOR PRODUCT SERVICE ON THIS KIT, PLEASE CALL 603-610-3000 EXT. 1**

72 Pease Boulevard, Newington, NH 03801 USA